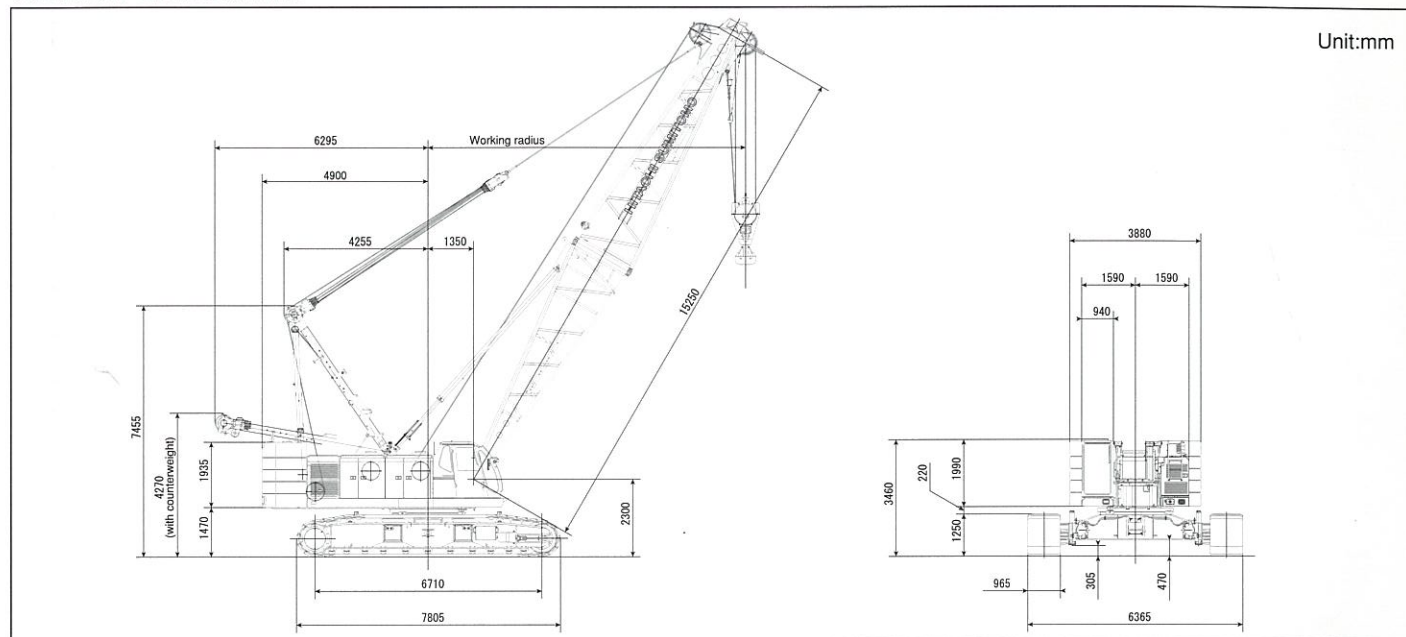


General dimensions



Specifications

Description	Crane application	Tower application
Max. lifting capacity	120t × 4.5m	20.0t × 14.0m
Basic boom length	15.25m	—
Max. boom length	73.15m	—
Jib length	12.20m ~ 24.40m	—
Boom and Jib	60.95m+24.40m	—
	64.00m+18.30m	—
Tower length	—	27.75m ~ 52.15m
Tower jib length	—	22.85m ~ 44.20m
Max. tower + jib length	—	52.15m +44.20m
Line speed of front/rear drum (Hoisting,Loweing)	120 ~ 2.0m/min	120 ~ 2.0m/min
Line speed of boom hoist (Hoisting,Loweing)	51 ~ 2.0m/min	—
Line speed of tower jib (Hoisting,Loweing)	—	48 ~ 2.0m/min
Line speed of tower hoist (Hoisting,Loweing)	—	51 ~ 2.0m/min
Swing speed	2.1min ⁻¹	
Travel speed (Max.)	1.5km/h	
Engine model	Mitsubishi 6D24-T Diesel	
Rated output	184kW/2000min ⁻¹	
Gradeability	30% (17°)	
Ground pressure (with 965mm track shoe)	83kPa	92kPa
Working weight	Approx.116t (Basic boom)	Approx.129t (Max.tower + jib)

Standard equipment

Superstructure
Standard tools and tool box
Head lights
Rear view mirror
Foot step at side frame
Sling for assembly and disassembly
Gantry lifting cylinder
Foot throttle
SC controller
Lower jack-up device
Constant speed swing mechanism
Side step at operator cab
Operator cab
Radio with AM/FM and clock
Sunshade
Sunvisor
Cup holder
Floor mat
Ashtray and lighter
Rack
Book holder
Safety device
Level gauge (in operator cab and lower frame)
Swing and traveling alarm
Annunciator-type overload warning device
Gate lock lever for fool proof shut-off system
Tower over-winding limit device
Individual control lever lock
Service monitor
Emergency machine stop buttons
Speed slowdown device
Drum lock

※Photos in this catalog may include optional equipment.
 ※We are constantly improving our products and therefore reserve the right to change designs and specifications without notice.
 ※Units in this specifications are shown under International System of Units.

Hitachi Sumitomo Heavy Industries Construction Crane Co.,Ltd.

12-14, Ueno 7-chome,Taitou-ku Tokyo 110-0005, Japan
 Phone: 81-3-3845-1387 Facsimile: 81-3-3845-1394

Address inquiries to:

Printed in Japan
 LX60-1002

Hydraulic Crawler Crane

HITACHI SUMITOMO

SCX1200



Combination of Power and Speed makes every job possible!

Max. line pull of **22 tons**

Rated line pull of **11 tons**

High line speed of **120 m/min**

Winch system with fully independent hydraulic circuit and Powerful line pull fulfills a wide range of jobs

Adopted full independent winch system with one axle-one drum-one motor-one pump. This system responds widely to various jobs such as those requiring buckets, vibro-hammer and tower attachments without variation of motor speed by mutual interference. And unique power control system (EPPSA) enables drum horsepower to be as close to engine output as possible, which enables it to respond to heavy duty work with powerful line-pull. And furthermore engine stalls during low RPM operation or heavy load duty work are eliminated. This new system reduces horsepower power loss at a minimum by utilizing the new hydraulic system.

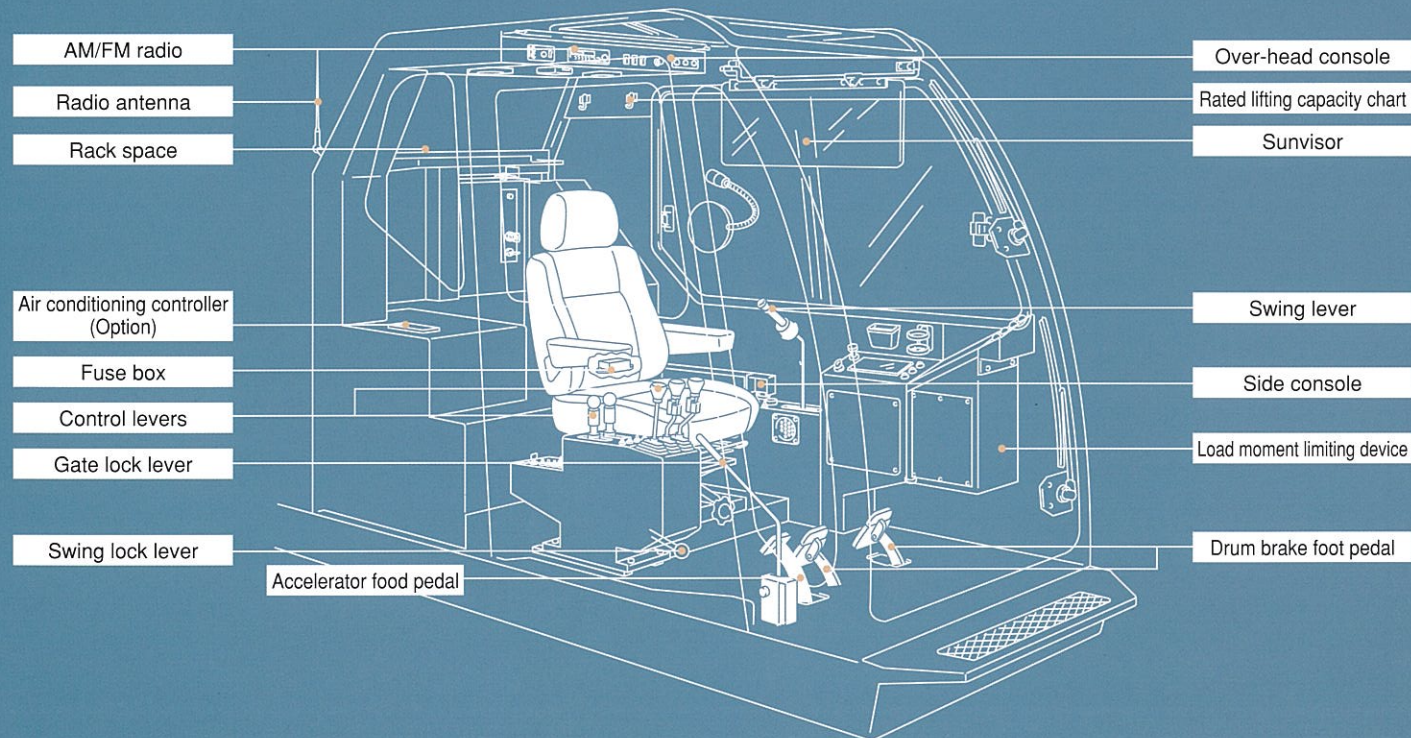
● Reduced working hours with greatly improved line speed.

The greatly improved line speed of 120m/min. at the first drum layer is achieved by adopting a variable displacement motor at the center of the winch system. Increased power and lowering speed helps work time to be reduced, which is especially ideal for tower crane work or underground excavation work requiring by high lifting height.

● Large wide drums extend life of wire rope.

Large wide drums (43m at the first layer) with built-in reduction gear can realize the extension of wire rope which prevents chafing of wire ropes due to small drum capacity in case of clamshell and dragline work.

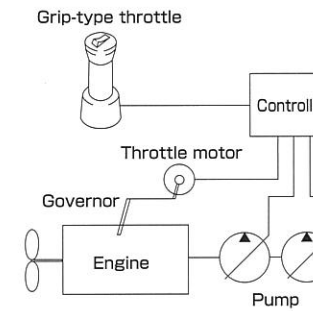
- Automatic cooling fan reduces power loss.
- 184kW turbo-charged diesel engine with high output and low fuel consumption.
- Smooth swing with newly developed non-step speed control system.



SC controller makes highly-skilled operation easy

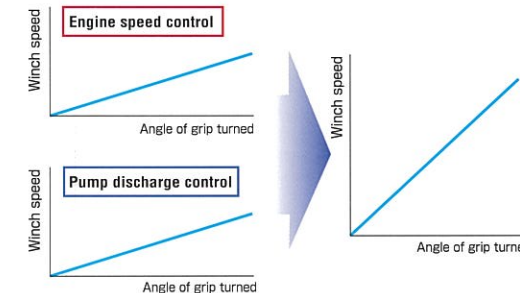
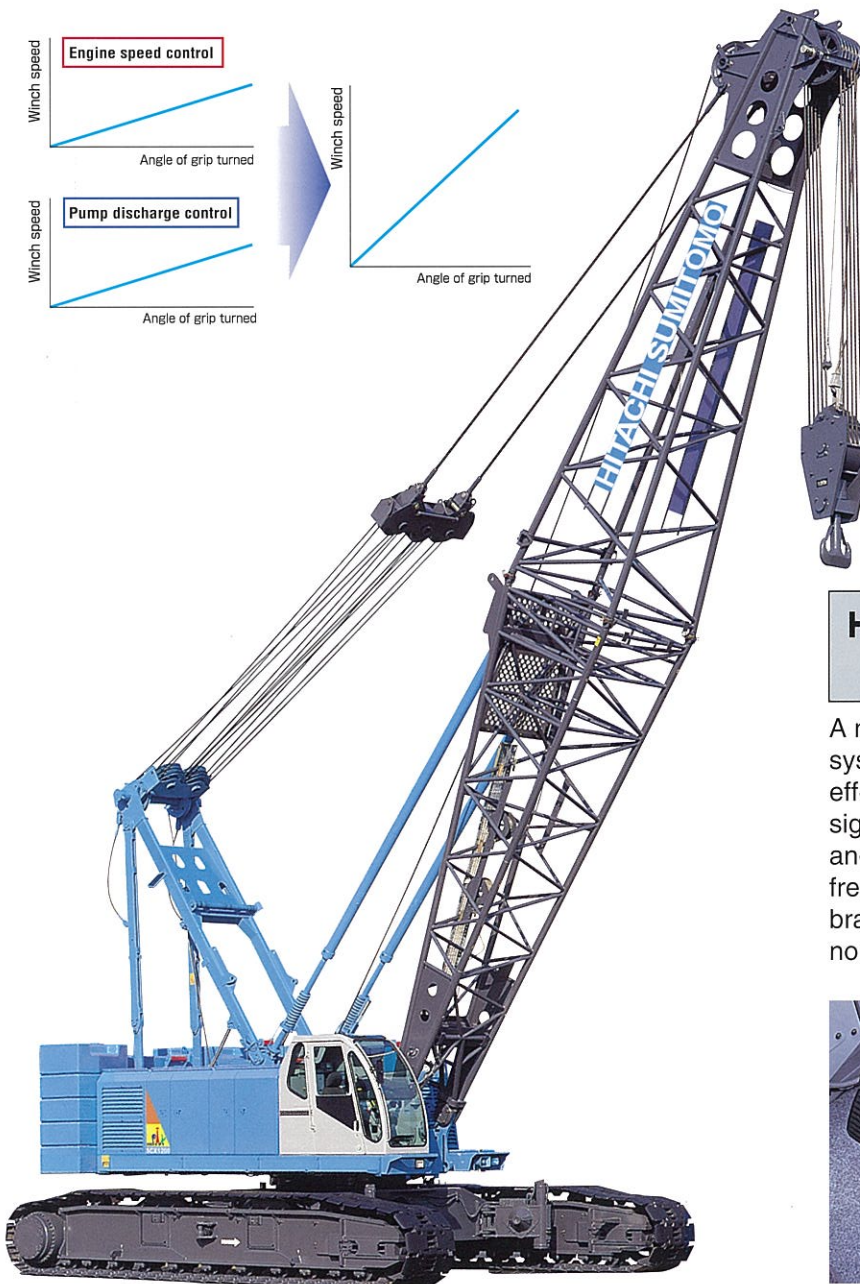
Thanks to unique SC controller, one-handed simultaneous control of engine and pump is possible.

Grip-type throttle control on the swing control lever enables continuous control of minimum to maximum speed by twisting the grip and also one-handed control of the engine and pump at the same time.



● Fixed throttle controller switch

The SC controller is normally programmed to vary the engine speed and pump discharge simultaneously but by activating this switch to fix at certain engine rotation, an operator can vary just the pump discharge by means of the grip throttle.



Hydraulically assisted drum brakes reduce operator fatigue.

A newly developed hydraulically assisted brake system has been adopted to increase braking effects with less foot power. It results in significantly less operator fatigue during clamshell and hammer grab operations which often require free fall of the winch. Conventional automatic brake mode can be selected for safety during normal operation.



Safety system provides people on the job site with high security.

Newly developed SML-10 Safe Load Indicator (with message display)



Indicator of warning, emergency stop, load due to overloading together with newly adopted message display system reduces setting work of moment limiter. And lifting height meter can be equipped as an option for working in "blind" conditions.

Speed slowdown device (incorporated with SML-10 Safe Load Indicator)

The new overload limit system automatically slows down the drum speed to one third of normal speed as the lifting capacity approaches the limit. It safely prevents load swing due to sudden shock.

Dual hook over-hoist limiting device

Hook over-hoist limiting device and speed slowdown device installed with lifting height meter (Option) in load moment limiter safely prevents hook over-hoisting.

Other safety features

- Gate lock lever for fool proof shut-off system
- Travel control lever at right hand side
- Stop release key switch

Annunciator-type overload warning system (incorporated with SML-10 Safe Load Indicator)

This system for 16 different alarms including overloading, and excessive boom lowering etc. helps operators to react quickly in latent danger. And as it is impossible to release both stop motion and alarm systems, it prevents accidents caused by preset release.

Warning messages:

- 1 Overload limit
- 2 Auto stop
- 3 Boom hoist limit
- 4 Jib hoist limit
- 5 Boom lower limit
- 6 Jib lower limit
- 7 Two-block limit
- 8 Free mode activated
- 9 Free-fall
- 10 Height limit set
- 11 Radius limit set
- 12 Luffing attachment protection activated
- 13 Boom protection activated
- 14 Hydraulic control pressure reduced
- 15 Stop release
- 16 Rigging mode

- Dual warning for swing alarm, with audible and visual signal
- Three color percentage indicator (Option)
- Dual boom over-hoist limiting device

Comfortable operation

Large windshield with wide visibility can realize comfortable operation

Improved front visibility.



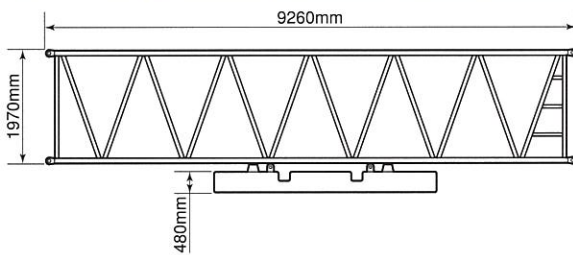
Arm chair control lever can provide easy operation



Better mobility enables transportation speed to be much higher

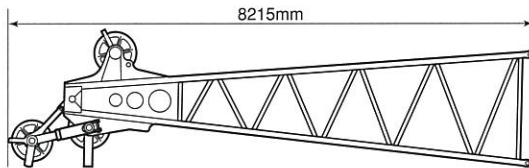
Counterweight with 5-horizontally-split units

Reversible 5-horizontally-split unit counterweight enables its transportation loaded together with extension booms.



Compact top boom

The length of the top boom is smaller than those of former models. It is transportable with an 11ton truck.



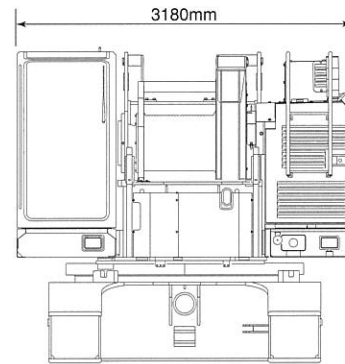
Folding mast

Folding mast makes assembly and disassembly easier and faster.



Compact base unit with a total width of 3180mm for transportation

Compact base unit within 3.2 m in width for transportation with side frame dismantled.



Automatic track tension system

Our reliable automatic track adjustment system uses hydraulics to keep track tension at an optimum level. Should foreign matter lodge between track and idler, hydraulic pressure works as a cushion to prevent damage.

Option

