

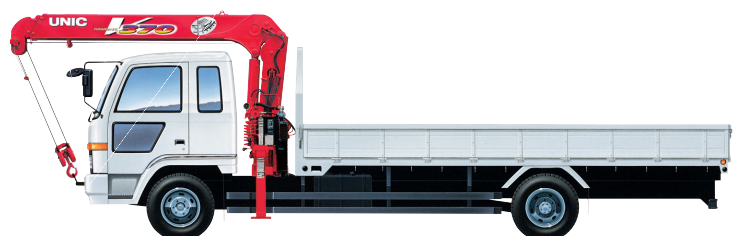
UNIC



Truck-Mounted UNIC Crane
UR-V370 Series
For Medium-Duty truck

V370

Maximum Lifting Capacity. **3030** kg.



FURUKAWA UNIC CORPORATION

UNIC Crane, High safety and reliability.

V370
Model Line-up

Maximum Hook Height.

15.9 m.
(6 section boom)

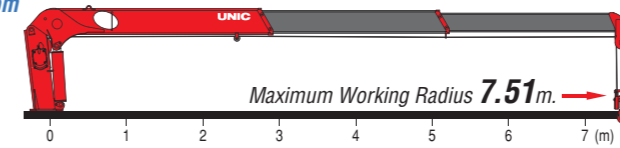
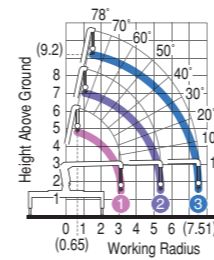
Maximum Lifting Capacity.

3030 kg.

Wide Horizontal Extension, Max. **4200 mm.**

V373 3 Section Boom

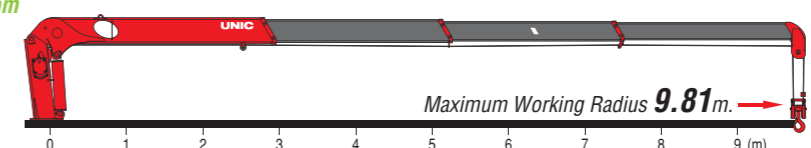
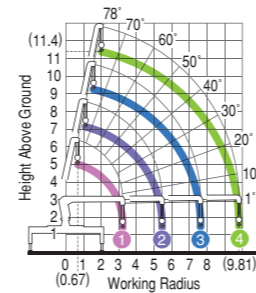
Working Range (m)



Rated Loads (kg)	0.65~2.0	2.5	2.7	3.0	3.2	3.5	4.0	4.5	5.0	5.5	6.0	6.5	7.0	7.51
①	3030	3030	3030	2480	2330 (3.12m)									
②	3030	3030	3030	2480	2280	2030	1730	1530	1330	1280 (5.36m)				
③			2330	2330	2130	2030	1780	1480	1280	1130	1030	930	830	730

V374 4 Section Boom

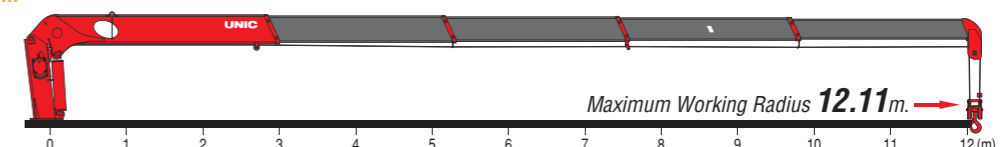
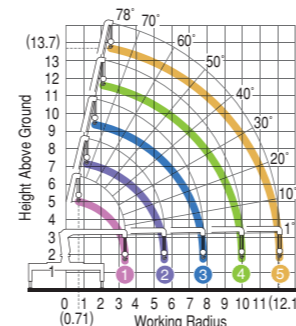
Working Range (m)



Rated Loads (kg)	0.67~2.0	2.5	2.7	3.0	3.2	3.5	4.0	4.5	5.0	5.5	6.0	6.5	7.0	8.0	9.0	9.81
①	3030	3030	2630	2330	2130 (3.22m)											
②	3030	3030	2630	2330	2180	1980	1680	1480	1280	1180 (5.46m)						
③			2330	2330	2130	2030	1730	1430	1230	1080	980	880	800	730	680 (7.63m)	
④								1030	930	830	780	730	680	630	560	500

V375 5 Section Boom

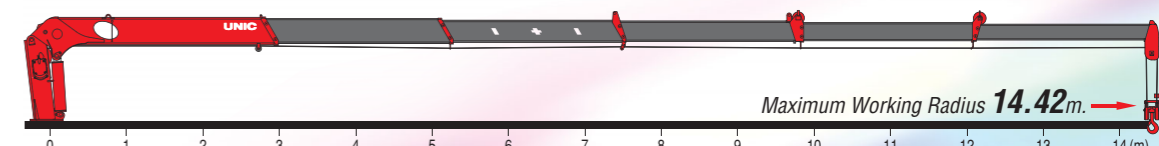
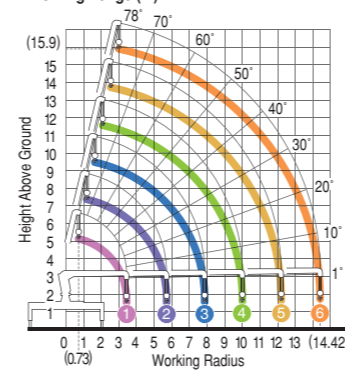
Working Range (m)



Rated Loads (kg)	0.71~2.4	2.5	2.7	3.0	3.5	4.0	4.5	5.0	5.5	6.0	6.5	7.0	8.0	9.0	10.0	11.0	12.11
①	3030	2780	2580	2280	2030 (3.35m)												
②	3030	2780	2580	2280	1930	1630	1430	1250	1130 (5.59m)								
③			2230	2230	2030	1680	1380	1200	1050	930	830	750	680	630 (7.79m)			
④							1030	930	830	780	730	680	630	530	480	460 (9.95m)	
⑤								760	630	550	480	440	400	350	310	280	250

V376 6 Section Boom

Working Range (m)



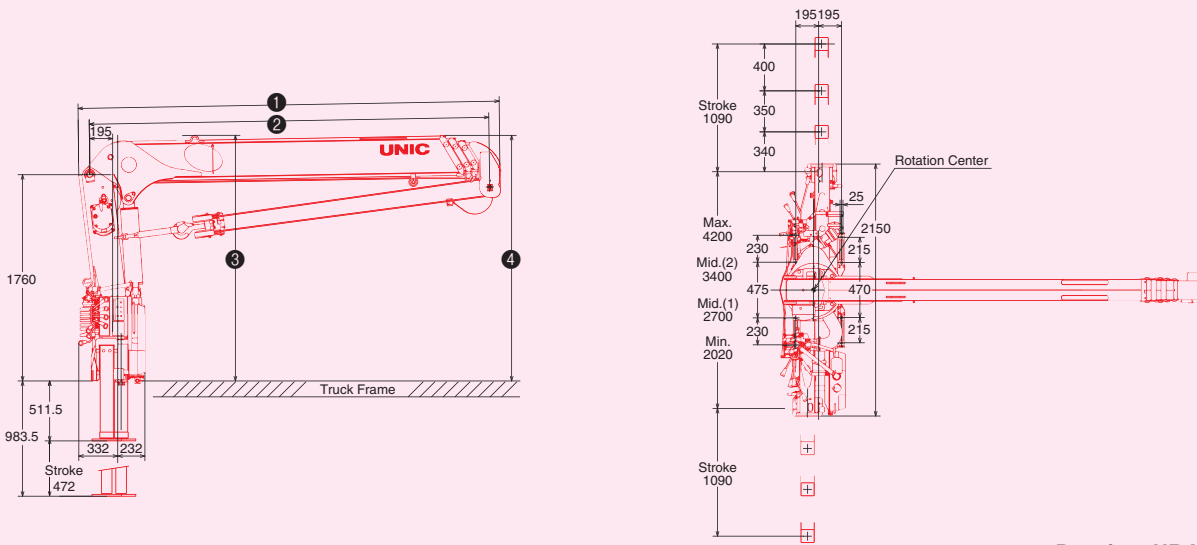
Rated Loads (kg)	0.73~2.4	2.5	2.7	3.0	3.5	4.0	4.5	5.0	5.5	6.0	6.5	7.0	8.0	9.0	10.0	11.0	12.0	13.0	14.42
①	3030	2780	2530	2280	1930 (3.44m)														
②	3030	2780	2530	2280	1930	1630	1430	1250	1080 (5.66m)										
③			2230	2030	1680	1380	1190	1050	930	830	730	680	630 (7.85m)						
④							1030	930	830	780	730	680	630	530	480	430 (10.04m)			
⑤								630	550	480	440	400	350	310	280	250	230 (12.23m)		
⑥									330 (4.90m)	300	280	260	250	230	210	190	170	160	140

Specifications Table

Crane Model	UR-V373	UR-V374	UR-V375	UR-V376
Maximum Lifting Capacity	3030kg at 2.7m	3030kg at 2.6m	3030kg at 2.4m	3030kg at 2.4m
Maximum Hook Height	Max. 9.2m	Max. 11.4m	Max. 13.7m	Max. 15.9m
Maximum Working Radius	Min. 0.65m to Max. 7.51m	Min. 0.67m to Max. 9.81m	Min. 0.71m to Max. 12.11m	Min. 0.73m to Max. 14.42m
Boom Length	Min. 3.31m to Max. 7.70m	Min. 3.41m to Max. 10.00m	Min. 3.54m to Max. 12.30m	Min. 3.63m to Max. 14.61m
Boom Sections	3	4	5	6
Boom Raising Angle	Min. 1° to Max. 78°	Min. 1° to Max. 78°	Min. 1° to Max. 78°	Min. 1° to Max. 78°
Slewing Angle (Continuous)	360°	360°	360°	360°

Crane Mounting Dimensions

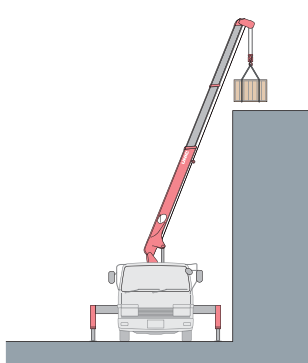
Crane Model	①	②	③	④
UR-V373	3494	Min. 3310 ~ Mid. 5550 ~ Max. 7700	2092	2095
UR-V374	3594	Min. 3410 ~ Mid. 5650 ~ 7825 ~ Max. 10000	2095	2095
UR-V375	3724	Min. 3540 ~ Mid. 5780 ~ 7980 ~ 10140 ~ Max. 12300	2136	2134
UR-V376	3814	Min. 3630 ~ Mid. 5850 ~ 8040 ~ 10230 ~ 12420 ~ Max. 14610	2114	2212



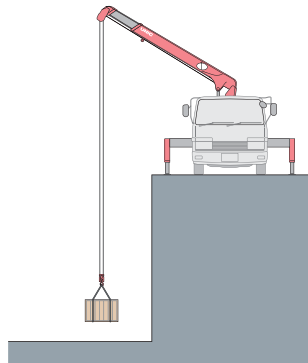
Drawing: UR-V374 (Unit: mm)

UNIC Crane: High, low or tight, they're safe, sure, dependable.

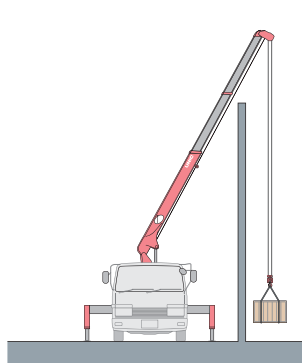
High or low tight, UNIC straight-boom wire-rope cranes match the task. They're great high-lift performers, Lifting loads over walls is also no problem with their unrestricted raising and lowering. In deep-hole jobs they're strong, and accurate. Many extra safety features, too.



Buildings, walls, whatever, with UNIC wire-rope cranes you get precise high-lift placement and safe, sure operation. Their dependability is all in their strength and design, original UNIC features.



Higher performance, too, at lower depths. UNIC wire-rope cranes handle heavy loads in deep-hole jobs with accuracy and stability. A wide range of models assures versatile matching to job requirements.



Tight places are the right places for UNIC wire-rope cranes. In any operating situation their strong steel cables mean extra dependability and safety. High, low, or tight, UNIC wire-rope cranes are always right.



NOTE



HOOK
+
SLINGS
+
LOAD
=
RATED LOAD

- Rated loads shown in the chart are based on the crane strength with the outriggers fully extended on a firm level ground and on the actual working radius including the deflection of boom.
- The weights of hook (30 kg.), slings, and any accessories attached to the boom or loadline must be deducted from the above capacities in the chart.
- Capacities shown must reduce in accordance with vehicle weight and loaded condition of truck, crane mounting position, and operating speed.
- The figures in relation to the speed are on the basis of no-load running at rated oil flow conditions.
- In accordance with our policy of constant product improvement, all specifications are subject to change without notice or obligations.

FURUKAWA UNIC CORPORATION

5-3, Nihonbashi 1-chome, Chuo-ku, TOKYO 103-0027 JAPAN
Phone: (81-3) 3231-8613 / Facsimile: (81-3) 3231-8261
<http://www.uniccrane-global.com/>

Authorized **UNIC** distributor