

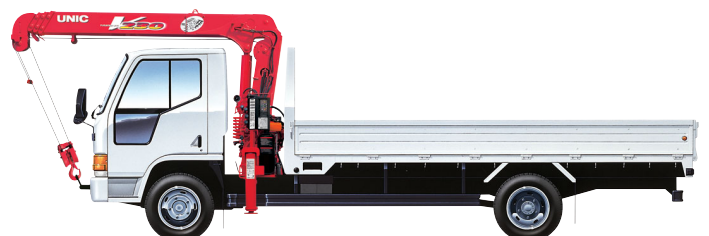
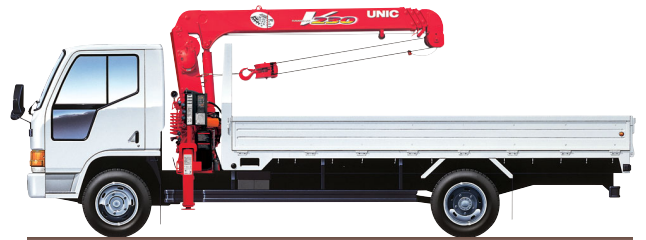
UNIC



Truck-Mounted UNIC Crane
UR-V230 Series
For Light-Duty truck

V230

Maximum Lifting Capacity. **2330** kg.



FURUKAWA UNIC CORPORATION

UNIC Crane, High safety and reliability.

V230
Model Line-up

Maximum Hook Height.

9.5 m.
(4 section boom)

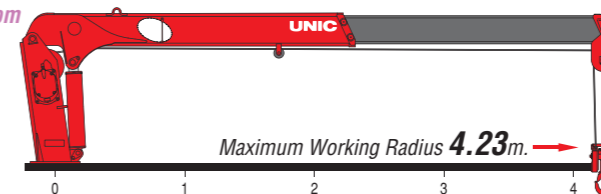
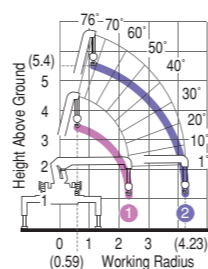
Maximum Lifting Capacity.

2330 kg.

Wide Horizontal Extension, Max. **2600 mm.**

V232 2 Section Boom

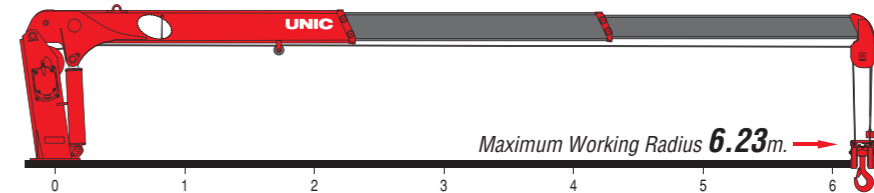
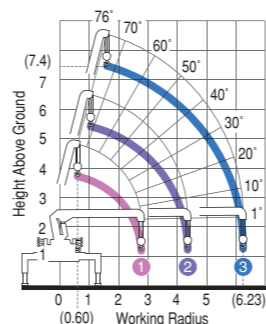
Working Range (m)



Rated Loads (kg)	0.59~1.7	2.0	2.2	2.5	3.0	3.5	4.0	4.23
①	2330	2030	1830	1680 (2.33m)				
②	2330	2030	1830	1530	1280	1080	980	930

V233 3 Section Boom

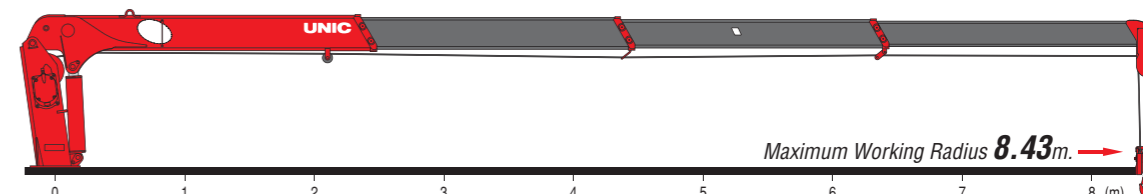
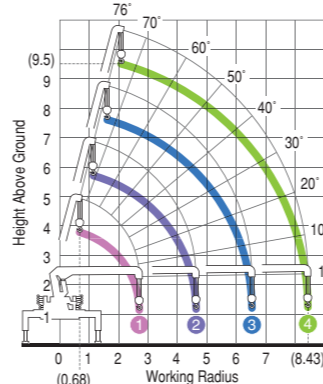
Working Range (m)



Rated Loads (kg)	0.60~1.7	2.0	2.2	2.5	3.0	3.5	4.0	4.5	5.0	5.5	6.23
①	2330	2030	1830	1580 (2.42m)							
②	2330	2030	1830	1530	1280	1080	980	880 (4.35m)			
③				1230	1230	1030	880	780	680	630	530

V234 4 Section Boom

Working Range (m)



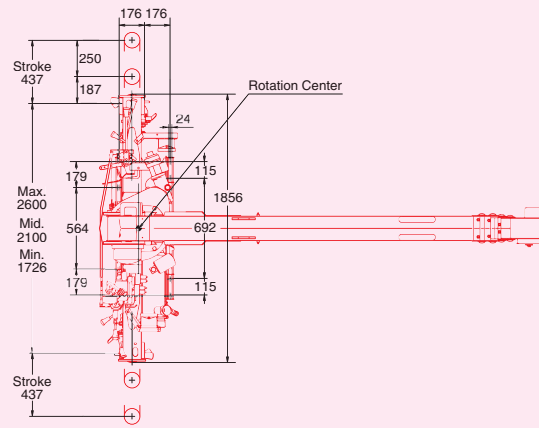
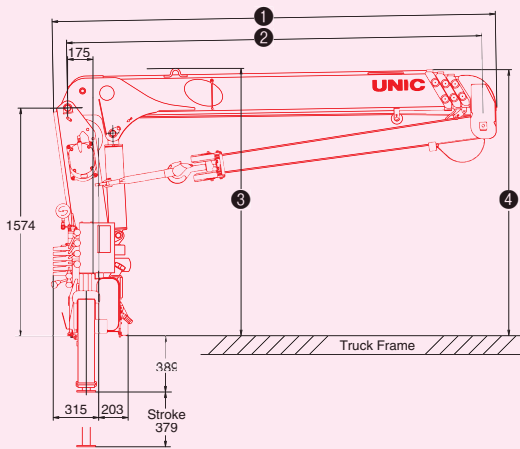
Rated Loads (kg)	0.68~1.7	2.0	2.2	2.5	3.0	3.5	4.0	4.5	5.0	5.5	6.0	7.0	8.0	8.43
①	2330	2030	1830	1530	1430 (2.70m)									
②	2330	2030	1830	1530	1280	1080	980	830 (4.63m)						
③				1230	1230	1030	880	780	680	630	580	530 (6.53m)		
④						680	680	600	530	480	430	360	310	290

Specifications Table

Crane Model	UR-V232	UR-V233	UR-V234
Maximum Lifting Capacity	2330kg at 1.7m	2330kg at 1.7m	2330kg at 1.7m
Maximum Hook Height	Max. 5.4m	Max. 7.4m	Max. 9.5m
Maximum Working Radius	Min. 0.59m to Max. 4.23m	Min. 0.60m to Max. 6.23m	Min. 0.68m to Max. 8.43m
Boom Length	Min. 2.50m to Max. 4.40m	Min. 2.59m to Max. 6.40m	Min. 2.87m to Max. 8.60m
Boom Sections	2	3	4
Boom Raising Angle	Min. 1° to Max. 76°	Min. 1° to Max. 76°	Min. 1° to Max. 76°
Slewing Angle (Continuous)	360°	360°	360°

Crane Mounting Dimensions

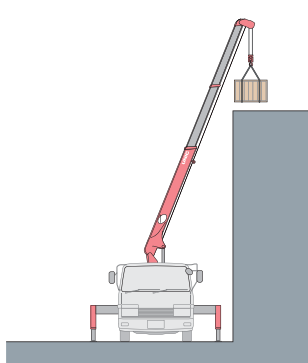
Crane Model	①	②	③	④
UR-V232	2694	Min. 2500 ~ Max. 4400	1826	1816
UR-V233	2784	Min. 2590 ~ Mid. 4520 ~ Max. 6400	1826	1816
UR-V234	3065	Min. 2870 ~ Mid. 4800 ~ 6700 ~ Max. 8600	1849	1840



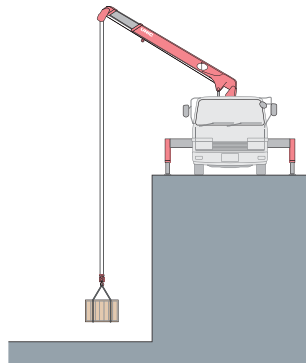
Drawing: UR-V234 (Unit: mm)

UNIC Crane: High, low or tight, they're safe, sure, dependable.

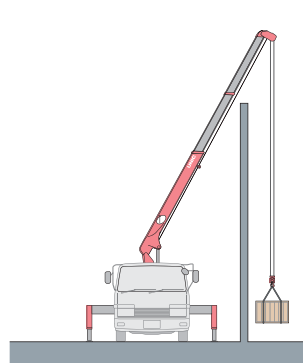
High or low tight, UNIC straight-boom wire-rope cranes match the task. They're great high-lift performers, Lifting loads over walls is also no problem with their unrestricted raising and lowering. In deep-hole jobs they're strong, and accurate. Many extra safety features, too.



Buildings, walls, whatever, with UNIC wire-rope cranes you get precise high-lift placement and safe, sure operation. Their dependability is all in their strength and design, original UNIC features.



Higher performance, too, at lower depths. UNIC wire-rope cranes handle heavy loads in deep-hole jobs with accuracy and stability. A wide range of models assures versatile matching to job requirements.



Tight places are the right places for UNIC wire-rope cranes. In any operating situation their strong steel cables mean extra dependability and safety. High, low, or tight, UNIC wire-rope cranes are always right.



NOTE



HOOK
+
SLINGS
+
LOAD
=
RATED LOAD

- Rated loads shown in the chart are based on the crane strength with the outriggers fully extended on a firm level ground and on the actual working radius including the deflection of boom.
- The weights of hook (30 kg.), slings, and any accessories attached to the boom or loadline must be deducted from the above capacities in the chart.
- Capacities shown must reduce in accordance with vehicle weight and loaded condition of truck, crane mounting position, and operating speed.
- The figures in relation to the speed are on the basis of no-load running at rated oil flow conditions.
- In accordance with our policy of constant product improvement, all specifications are subject to change without notice or obligations.

FURUKAWA UNIC CORPORATION

5-3, Nihonbashi 1-chome, Chuo-ku, TOKYO 103-0027 JAPAN
Phone: (81-3) 3231-8613 / Facsimile: (81-3) 3231-8261
<http://www.uniccrane-global.com/>

Authorized **UNIC** distributor