



# D3C

Series III Hystat  
& Series III  
Track-Type Tractors



## Cat® 3046 Engine

Gross horsepower	57.4 kW	77 hp
Flywheel horsepower	52.2 kW	70 hp

## Blade Capacity

Standard arrangement	1.26 m³	1.64 yd³
XL arrangement	1.26 m³	1.64 yd³
LGP arrangement	1.31 m³	1.70 yd³

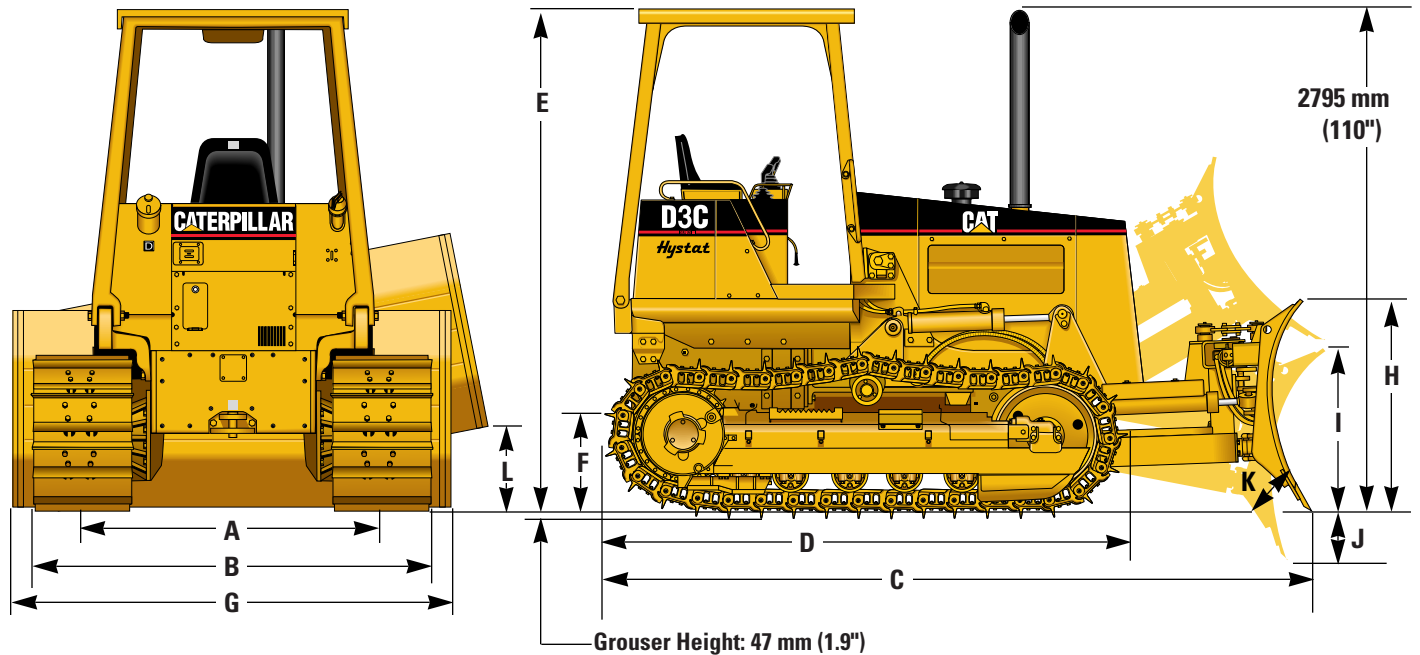
## Operating Weight

Standard arrangement		
Series III Hystat	7112 kg	15,680 lb
Series III	7039 kg	15,518 lb
XL arrangement		
Series III Hystat	7304 kg	16,103 lb
Series III	7231 kg	15,941 lb
LGP arrangement		
Series III Hystat	7713 kg	17,004 lb
Series III	7640 kg	16,842 lb



# Tractor Dimensions

Approximate dimensions are applicable to all D3C tractors.



	Standard	XL	LGP
<b>A</b> Track gauge	1448 mm (57")	1448 mm (57")	1676 mm (66")
Standard D3C clutch/brake only	1422 mm (56")		
<b>B</b> Width of tractor (std shoes, no blade)	1854 mm (73")	1854 mm (73")	2311 mm (91")
Standard D3C clutch/brake only	1829 mm (72")		
<b>C</b> Overall length (w/ blade)	3982 mm (156.8")	3982 mm (156.8")	3954 mm (155.7")
Standard D3C clutch/brake only	3859 mm (151.9")		
<b>D</b> Length of basic tractor (w/o blade)	2957 mm (116.4")	2957 mm (116.4")	2957 mm (116.4")
Standard D3C clutch/brake only	2934 mm (115.5")		
<b>E</b> Tractor height	2728 mm (107.4")	2728 mm (107.4")	2728 mm (107.4")
Standard D3C clutch/brake only	2675 mm (105.3")		
<b>F</b> Ground clearance	374 mm (14.7")	374 mm (14.7")	374 mm (14.7")
Standard D3C clutch/brake only	322 mm (12.7")		

# Bulldozer

Variable Pitch, Power Angle and Tilt (VPAT) dozer blade.

	Standard	XL	LGP
Blade capacity (SAE)	1.26 m <sup>3</sup> (1.64 yd <sup>3</sup> )	1.26 m <sup>3</sup> (1.64 yd <sup>3</sup> )	1.31 m <sup>3</sup> (1.70 yd <sup>3</sup> )
<b>G</b> Blade width	2547 mm (100.3")	2547 mm (100.3")	3194 mm (125.8")
<b>H</b> Blade height	836 mm (32.9")	836 mm (32.9")	746 mm (29.4")
<b>I</b> Blade lift height	761 mm (30.0")	761 mm (30.0")	761 mm (30.0")
Standard D3C clutch/brake only	773 mm (30.4")		
<b>J</b> Digging depth	418 mm (16.5")	418 mm (16.5")	398 mm (15.7")
Standard D3C clutch/brake only	410 mm (16.2")		
<b>K</b> Blade cutting edge angle, adjustable	50° to 55°	50° to 55°	50° to 55°
<b>L</b> Maximum tilt	356 mm (14.0")	356 mm (14.0")	490 mm (19.3")
Maximum angle (either side)	25°	25°	25°
Blade width at maximum angle	2308 mm (90.9")	2308 mm (90.9")	2901 mm (114.2")

## Standard Equipment

Standard and optional equipment may vary. Consult your Caterpillar dealer for specifics.

---

Air-to-oil transmission cooler (Hystat only)	Glow plugs	Tool box with hinged lid
Air cleaner, dry-type with precleaner	Guards, bottom	Torque converter (Clutch/brake only)
Alternator, 55-amp	Guards, recoil, full length with sprocket guards and wipers	Transmission, planetary power shift, three speeds forward, three reverse (Clutch/brake only)
Arm rests, four-way adjustable	Horn	Track:
Battery, 12-volt, maintenance free, 900 cca with disconnect switch	Hydraulic controls, three-valve, single-lever dozer control	Adjusters, hydraulic
Blower fan	Hydraulic implement pump	Front/rear guiding guards
Cat 3046, 6 cylinder diesel engine with 12-volt direct electric key start/stop	Hydrostatic transmission, dual path, closed loop (Hystat only)	Roller frames:
Decelerator pedal (Clutch/brake only)	Joystick control lever (Hystat only)	Standard — five roller
Engine enclosures, with grip handle	Lifetime lubricated rollers and idlers	LGP — six roller
Fuel/water separator	Muffler	XL — six roller
Fuel priming pump	Oil-cooled steering clutches and brakes (Clutch/brake only)	Sealed and Lubricated, two-piece master links
Foot rests, adjustable (Hystat only)	Parking brake - automatic (Hystat only)	Shoes, single grouser:
Gauges, illuminated, dash mounted showing engine coolant temperature, engine oil pressure, transmission oil temperature, and fuel level	Parking brake - manual (Clutch/brake only)	STD— 37-section, 406 mm (16")
Indicator lights:	Pedal steering (Clutch/brake only)	LGP — 39-section, 635 mm (25")
Low alternator voltage	Pull hook, front	XL — 39-section, 406 mm (16")
Transmission/hydraulic oil filter restriction (Hystat only)	Retrieval hitch, rear	Vandalism protection
Parking brake (Hystat only)	Seat, vinyl, suspension with adjustable backrest and seat belt	
Rabbit speed selection (Hystat only)	Segmented sprockets	
	Service hour meter	

## Optional Equipment

Optional equipment may vary. Consult your Caterpillar dealer for specifics. Approximate changes in operating weights.

	kg	lb		kg	lb
Air conditioning, cab	66	146	Hydraulic arrangement:		
Back up alarm (required in U.S.A.)	*	*	4-valve, 1-lever dozer control, ripper	16	36
Batteries, 12-volt, heavy duty, maintenance free, two 900 cca with disconnect switch	30	65	Lights, ROPS mounted, two front, one rear	15	32
Bulldozers: Variable Pitch, Power Angling & Tilt, inside mounted arms:			Radiator sandblast grid (Clutch/brake only)	13	28
Standard, 1.26 m <sup>3</sup> (1.64 yd <sup>3</sup> )	*	*	Rear power takeoff drive	18	39
XL, 1.26 m <sup>3</sup> (1.64 yd <sup>3</sup> )			Ripper, includes three teeth and hydraulic cylinder	249	549
LGP, 1.31 m <sup>3</sup> (1.70 yd <sup>3</sup> )			Ripper teeth, additional	12	26
Cab, ROPS and mounting, includes 90-amp alternator, air pressurizer, air filter, heater, front and rear windshield wipers and washers, rearview mirror, sunvisor, speakers and antenna, ashtray, cigarette lighter, coat hook and key lock	204	450	Screens:		
Canopy, ROPS and mounting, includes rearview mirror and headliner (required in U.S.A.)	*	*	Rear, for use w/ROPS canopy	30	66
Counterweights:			Rear, for use w/ROPS cab w/o air conditioning	31	69
Front mounted	367	810	Rear, for use w/ROPS cab with air conditioning	24	53
Idler mounted	136	300	Side	50	111
Ether start aid	4	9	Seat, Caterpillar Contour Series with adjustable backrest and retractable seat belt	28	62
Guards:			Steering, hand lever (Clutch/brake only)	14	32
Bottom, heavy duty	58	128	Sweeps, logging	78	172
Rock, idler (use with counterweights)	42	92	Tracks:		
Rock, idler (use without counterweights)	45	110	LGP - pair, Sealed and Lubricated, self-cleaning, 39-section, 635 mm (25") shoes	187	412
Roller, full length (STD)	64	141			
Roller, full length (XL, LGP)	67	148			
Heater, open canopy	36	80			

\* Included in operating weight.