

D6N

Track-Type Tractor



Engine

Engine Model	Cat® C7.1 ACERT™	
Emissions	U.S. EPA Tier 4 Final/ EU Stage IV/ Korea Tier 4 Final	
Engine Power (Maximum) @ 2,200 rpm		
SAE J1995	136 kW	182 hp
ISO 14396	133 kW	178 hp
ISO 14396 (DIN)		180 hp

Engine (continued)

Net Power @ 1,800 rpm		
ISO 9249/SAE J1349	124 kW	166 hp
ISO 9249/SAE J1349 (DIN)		168 hp

Weights

Operating Weight – XL	16 757 kg	36,943 lb
Operating Weight – LGP	18 346 kg	40,446 lb

D6N Track-Type Tractor Specifications

Engine

Engine Model	Cat C7.1 ACERT	
Emissions	Tier 4 Final/Stage IV/ Korea Tier 4 Final	
Engine Power (Maximum) @ 2,200 rpm		
SAE J1995	136 kW	182 hp
ISO 14396	133 kW	178 hp
ISO 14396 (DIN)		180 hp
Net Power @ 1,800 rpm		
ISO 9249/SAE J1349	124 kW	166 hp
ISO 9249/SAE J1349 (DIN)		168 hp
Bore	105 mm	4.1 in
Stroke	135 mm	5.3 in
Displacement	7.1 L	433 in ³

- Net power advertised is the power available at the engine flywheel when the engine is equipped with the air cleaner, muffler, alternator, cooling fan at maximum speed.
- No derating required up to 3000 m (9,840 ft) altitude, beyond 3000 m (9,840 ft) automatic derating occurs.
- All non-road Tier 4 Interim and Final, Stage IIIB and IV, and Korea Tier 4 Final diesel engines are required to use only Ultra Low Sulfur Diesel (ULSD) fuels containing 15 ppm EPA/10 ppm EU (mg/kg) sulfur or less. Biodiesel blends up to B20 (20% blend by volume) are acceptable when blended with 15 ppm (mg/kg) sulfur or less ULSD. B20 should meet ASTM D7467 specification (biodiesel blend stock should meet Cat biodiesel spec, ASTM D6751 or EN 14214). Cat DEO-ULS™ or oils that meet the Cat ECF-3, API CJ-4, and ACEA E9 specification are required. Consult your OMM for further machine specific fuel recommendations.
- Diesel Exhaust Fluid (DEF) used in Cat Selective Catalytic Reduction (SCR) systems must meet the requirements outlined in the International Organization for Standardization (ISO) standard 22241.

Service Refill Capacities

Fuel Tank	277 L	73.2 gal
DEF Tank	19 L	5 gal
Cooling System	40 L	10.6 gal
Engine Crankcase	17 L	4.5 gal
Power Train	160 L	42.3 gal
Roller Frames XL/LGP (each)	20/17.5 L	4.3/4.6 gal
Final Drives (each)	7 L	1.8 gal
Hydraulic Tank	29.5 L	7.8 gal

Hydraulic Controls – Pressures

Maximum Implement Operating Pressure	25 100 kPa	3,640 psi
Maximum Steering Operating Pressure	45 200 kPa	6,556 psi

Hydraulic Controls – Pump

Pump Output		
Implement	127 L/min	33.5 gal/min
Steering	137 L/min	36.2 gal/min
Lift Cylinder Flow	127 L/min	33.5 gal/min
Tilt Cylinder Flow	90 L/min	23.8 gal/min
Ripper Cylinder Flow	127 L/min	33.5 gal/min
Angle Cylinder Flow – VPAT	127 L/min	33.5 gal/min

Weights

Operating Weight		
XL	16 757 kg	36,943 lb
LGP	18 346 kg	40,446 lb
XL Fine Grading	17 310 kg	38,162 lb
XL Waste Handler	18 515 kg	40,818 lb
LGP Waste Handler	20 298 kg	44,749 lb
Shipping Weight		
XL	16 399 kg	36,153 lb
LGP	17 844 kg	39,339 lb
XL Fine Grading	16 952 kg	37,373 lb
XL Waste Handler	18 157 kg	40,029 lb
LGP Waste Handler	19 796 kg	43,642 lb
XL VPAT Blade	1062 kg	2,341 lb
LGP VPAT Blade	1234 kg	2,720 lb
XL VPAT Foldable	1253 kg	2,762 lb
LGP VPAT Foldable	1491 kg	3,287 lb
XL SU Blade	2600 kg	5,732 lb
XL VPAT Landfill	1321 kg	2,912 lb
LGP VPAT Landfill	1436 kg	3,166 lb
Multi-shank Ripper (with 3 shanks)	1342 kg	2,959 lb

- Operating Weight: Includes EROPS, A/C, lights, VPAT dozer, transmission, drawbar, engine enclosure, 3-valve hydraulics, 100% fuel, and Cat Comfort Series Air Suspension Seat and operator.
- Shipping Weight: Includes EROPS, A/C, lights, VPAT dozer, transmission, drawbar, engine enclosure, 3-valve hydraulics, 5% fuel, and Cat Comfort Series Air Suspension Seat.

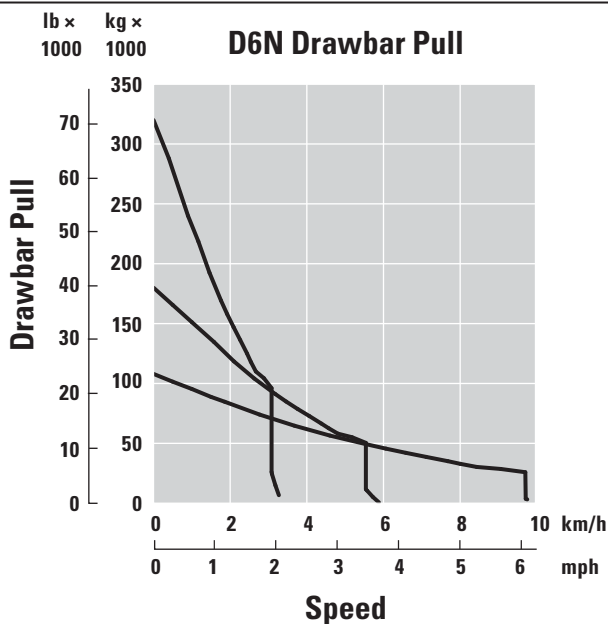
D6N Track-Type Tractor Specifications

Transmission

0.5 Forward	2.5 km/h (2.4 km/h)	1.6 mph (1.5 mph)
0.7 Forward	2.8 km/h (2.7 km/h)	1.7 mph (1.6 mph)
1.0 Forward	3.3 km/h (3.0 km/h)	2.1 mph (1.9 mph)
1.5 Forward	4.4 km/h	2.7 mph
1.7 Forward	4.9 km/h	3.0 mph
2.0 Forward	5.8 km/h	3.6 mph
2.5 Forward	7.5 km/h	4.7 mph
2.7 Forward	8.3 km/h	5.2 mph
3.0 Forward	9.8 km/h	6.1 mph
0.5 Reverse	3.1 km/h (2.9 km/h)	1.9 mph (1.8 mph)
0.7 Reverse	3.4 km/h (3.1 km/h)	2.1 mph (1.9 mph)
1.0 Reverse	4.1 km/h (3.5 km/h)	2.5 mph (2.2 mph)
1.5 Reverse	5.4 km/h	3.4 mph
1.7 Reverse	6.0 km/h	3.7 mph
2.0 Reverse	7.1 km/h	4.4 mph
2.5 Reverse	9.5 km/h	5.9 mph
2.7 Reverse	10.5 km/h	6.5 mph
3.0 Reverse	12.2 km/h	7.6 mph
Maximum Drawbar Pull		
1.0 Forward	320 kN	71,939 lbf
2.0 Forward	198 kN	44,512 lbf
3.0 Forward	113 kN	25,403 lbf

• Data between brackets are values for EU.

Drawbar Pull



Undercarriage

Shoe Width		
XL	610 mm	24.0 in
LGP	840 mm	33.1 in
XL – Fine Grading	610 mm	24.0 in
Shoes/Side		
XL	40	
LGP	46	
XL – Fine Grading	46	
Grouser Height		
XL	66 mm	2.6 in
LGP	57 mm	2.2 in
XL – Fine Grading	66 mm	2.6 in
Track Gauge		
XL	1890 mm	74.4 in
LGP	2160 mm	85.0 in
XL – Fine Grading	1890 mm	74.4 in
Track on Ground		
XL	2605 mm	102.6 in
LGP	3110 mm	122.4 in
XL – Fine Grading	3110 mm	122.4 in
Ground Contact Area*		
XL	3.56 m ²	5,518 in ²
LGP	5.76 m ²	8,928 in ²
XL – Fine Grading	4.18 m ²	6,479 in ²
Ground Pressure*		
XL	46.1 kPa	6.7 psi
LGP	31.2 kPa	4.5 psi
XL – Fine Grading	40.3 kPa	5.8 psi
Track Rollers/Side		
XL	7	
LGP	8	
XL – Fine Grading	8	

*ISO 16754

• All dimensions above with SystemOne undercarriage.

D6N Track-Type Tractor Specifications

Blades

Capacity		
XL VPAT	3.3 m ³	4.3 yd ³
XL SU	4.3 m ³	5.6 yd ³
LGP VPAT	3.9 m ³	5.1 yd ³
LGP VPAT – Foldable	3.9 m ³	5.1 yd ³
Width		
XL VPAT	3272 mm	10.75 ft
XL SU	3154 mm	10.33 ft
LGP VPAT	4080 mm	13.42 ft
LGP VPAT – Foldable	4080 mm	13.42 ft

Ripper

Type	Fixed Parallelogram	
Pocket Spacing	1000 mm	3 ft 3.4 in
Shank Gauge	2 m	6 ft 7 in
Shank Section	73 mm × 176 mm	2.9 in × 6.9 in
Number of Pockets	3	
Overall Beam Width	2202 mm	86.7 in
Beam Cross Section	216 mm × 254 mm	8.5 in × 10.0 in
Maximum Clearance, Raised (Shank Tip)	622 mm	24.5 in
Maximum Penetration Force		
XL	51.6 kN	11,600 lbf
LGP	43 kN	9,667 lbf
Maximum Pryout Force		
XL	211.2 kN	47,480 lbf
LGP	170 kN	38,217 lbf
Maximum Penetration		
XL	514 mm	20.2 in
LGP	398 mm	15.6 in
Each Additional Shank	78 kg	172 lb
Weight with Three Shanks	1562 kg	3,444 lb

Winch

Winch Model	PA55	
Weight*	1276.5 kg	2,814 lb
Oil Capacity	74 L	19.55 gal
Winch and Bracket Length	1145 mm	45.1 in
Winch Case Width	975 mm	38.4 in
Drum Diameter	254 mm	10 in
Drum Width	315 mm	12.4 in
Flange Diameter	504 mm	19.8 in
Drum Capacity –22 mm (0.88 in)	88 m	288 ft 9 in
Winch Drive	Mechanical	
Control	Electric	
Overall Width	975 mm	38.4 in
Rope Diameter (recommended)	22 mm	0.875 in
Cable Ferrule Size (O.D. × Length)	54 mm × 67 mm	2.13 in × 2.63 in
Maximum Bare Drum		
Line Pull	31 389 kg*	69,200 lb*
Line Speed	43.0 m/min	141 ft/min
Maximum Full Drum		
Line Pull	20 144 kg*	44,410 lb*
Line Speed	66.1 m/min	217 ft/min

*Weight: Includes pump, operator controls, oil, mounting brackets and spacers.

- Slow and standard speed winches are available.

Standards

ROPS/FOPS

- ROPS (Rollover Protective Structure) offered by Caterpillar for the machine meets ROPS criteria ISO 3471:2008.
- FOPS (Falling Object Protective Structure) meets ISO 3449-2005 Level II.

Brakes

- Brakes meet the standard ISO 10265:2008.

Sound and Vibration – Cab

Sound Level Information

- The operator Equivalent Sound Pressure Level (Leq) is 81.5 dB(A) when “ANSI/SAE J1166 FEB2008” is used to measure the value for an enclosed cab. The measurement was conducted at 100% of the maximum engine cooling fan speed. This is a work cycle sound exposure level. The cab was properly installed and maintained. The test was conducted with the cab doors and the cab windows closed.
- Hearing protection may be needed when the machine is operated with an open operator station for extended periods or in a noisy environment. Hearing protection may be needed when the machine is operated with a cab that is not properly maintained, or when the doors and windows are open for extended periods or in a noisy environment.
- The average exterior sound pressure level is 85.5 dB(A) when the “SAE J88 FEB2006 – Constant Speed Moving Test” procedure is used to measure the value for the standard machine. The measurement was conducted under the following conditions: distance of 15 m (49.2 ft) and “the machine moving forward in an intermediate gear ratio.”

Sound Level Information for Machines in European Union Countries and in Countries that Adopt the “EU Directives.”

The information below applies to only the machine configurations that have the “CE” mark on the Product Identification Plate.

- The declared dynamic operator sound pressure level is 76 dB(A) when “ISO 6396:2008” is used to measure the value for an enclosed cab. The measurement was conducted at 70% of the maximum engine cooling fan speed. The sound level may vary at different engine cooling fan speeds. The cab was properly installed and maintained. The measurement was conducted with the cab doors and the cab windows closed.

NOTE: This dynamic operator sound pressure level is associated to a 2 dB(A) uncertainty.

- If equipped, the certification label – 110 dB(A) – is used to verify the environmental sound certification of the machine to the requirements of the European Union. The value that is listed on the label indicates the guaranteed exterior sound power level (L_{WA}) at the time of manufacture for the conditions that are specified in “2000/14/EC.” Your machine may have a different value.

Sustainability – Sound and Vibration Levels

Sound Levels

Average Exterior Sound Pressure Level

SAE J88:2006 85.5 dB(A)

Maximum Sound Power Level

2000/14/EC 110 dB(A)

Dynamic Operator Sound Pressure Level (LpA)

ISO 6396:2008 76 dB(A)

Vibration Levels

Maximum Hand/Arm*

ISO 5349:2001 2.5 m/s²

Maximum Whole Body*

ISO/TR25398:2006 0.5 m/s²

Seat Transmissibility Factor

ISO 7096:2000 – spectral class EM6 <0.7

*Values are for an experienced operator in a dozing application, consult the Operating and Maintenance Manual for further details.

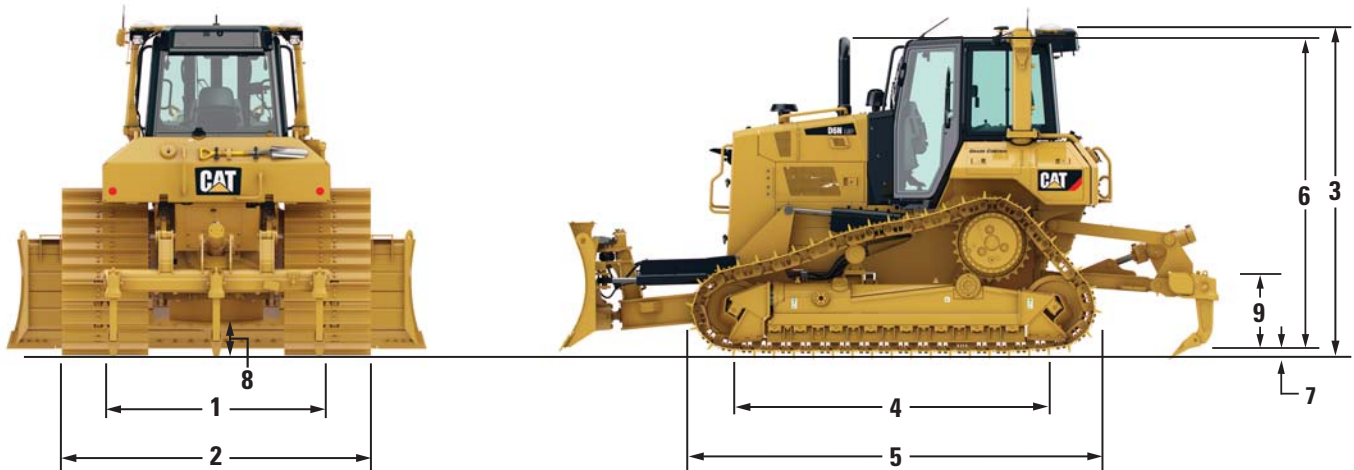
Air Conditioning System

The air conditioning system on this machine contains the fluorinated greenhouse gas refrigerant R134a (Global Warming Potential = 1430). The system contains 1.6 kg of refrigerant which has a CO₂ equivalent of 2.288 metric tonnes.

D6N Track-Type Tractor Specifications

Dimensions

All dimensions are approximate.



	XL		LGP		XL Fine Grading	
1 Track gauge	1890 mm	74.4 in	2160 mm	85.0 in	1890 mm	74.4 in
2 Width of tractor with the following attachments						
Standard shoes without blade	2500 mm	98.4 in	3000 mm	118.0 in	2500 mm	98.4 in
Standard shoes with VPAT blade fully angled	2965 mm	116.7 in	3699 mm	145.6 in	2965 mm	116.7 in
Standard shoes with VPAT blade angled and folded (foldable blade only)	2545 mm	100.0 in	3000 mm	118.0 in	2545 mm	100.0 in
3 Machine height – ROPS cab:						
Height of machine with EROPS (from tip of grouser)	3108 mm	122.4 in	3222 mm	126.9 in	3222 mm	126.9 in
Height of machine with EROPS and GRADE with 3D	3136 mm	123.5 in	3251 mm	128.0 in	3251 mm	128.0 in
Height of machine with EROPS and sweeps	3179 mm	125.2 in	3293 mm	129.6 in	3293 mm	129.6 in
Height of machine from ground face of shoe	3051 mm	120.1 in	3165 mm	124.6 in	3165 mm	124.6 in
4 Length of track on ground	2605 mm	102.6 in	3110 mm	122.4 in	3110 mm	122.4 in
5 Length of basic tractor (with drawbar)	3995 mm	157.3 in	4222 mm	166.2 in	4222 mm	166.2 in
With the following attachments, add to basic tractor length:						
Ripper (with tip at ground line)	957 mm	37.7 in	957 mm	37.7 in	957 mm	37.7 in
PA55 winch	330 mm	13.0 in	330 mm	13.0 in	330 mm	13.0 in
VPAT blades, straight	1105 mm	43.5 in	1236 mm	48.7 in	1236 mm	48.7 in
VPAT blade, angled 25°	1535 mm	60.4 in	2078 mm	81.8 in	1878 mm	73.9 in
VPAT blade, foldable, angled 31°			2241 mm	88.2 in		
SU blade	1185 mm	46.7 in				
6 Height over stack from tip of grouser	3006 mm	118.3 in	3109 mm	122.4 in	3108 mm	122.4 in
7 Height of grouser	66 mm	2.6 in	57 mm	2.2 in	57 mm	2.2 in
8 Ground clearance from ground face of shoe (per SAE J1234)	364 mm	14.3 in	477 mm	18.8 in	477 mm	18.8 in
9 Drawbar height (grouser tip to center of clevis)						
From ground face of shoe	623 mm	24.5 in	727 mm	28.6 in	727 mm	28.6 in