

D8T

Track-Type Tractor



Engine

Engine Model	Cat® C15 ACERT™	
Emissions	U.S. EPA Tier 4 Final/EU Stage IV/ Japan 2014 (Tier 4 Final)/ Korea Tier 4 Final	
Engine Power (Maximum)		
SAE J1995	271 kW	363 hp
ISO 14396	268 kW	359 hp
ISO 14396 (DIN)		364 hp

Engine (continued)

Net Power (Rated)		
ISO 9249/SAE J1349	233 kW	312 hp
ISO 9249/SAE J1349 (DIN)		317 hp
Net Power (Maximum)		
ISO 9249/SAE J1349	252 kW	335 hp
ISO 9249/SAE J1349 DIN		343 hp
Operating Weights		
Standard	39 420 kg	86,900 lb
LGP	37 420 kg	82,496 lb

D8T Track-Type Tractor Specifications

Engine

Engine Model	C15 ACERT	
Engine Power (Maximum*)		
SAE J1995	271 kW	363 hp
ISO 14396	268 kW	359 hp
ISO 14396 (DIN)	364 hp	
Net Power (Rated**)		
ISO 9249/SAE J1349	233 kW	312 hp
ISO 9249/SAE J1349 (DIN)	317 hp	
Net Power (Maximum*)		
ISO 9249/SAE J1349	252 kW	335 hp
ISO 9249/SAE J1349 DIN	343 hp	
Bore	137 mm	5.4 in
Stroke	172 mm	6.75 in
Displacement	15.2 L	928 in ³

*Engine speed 1,700 rpm

**Rated speed 1,900 rpm

- Net power advertised is the power available at the flywheel when the engine is equipped with fan, air cleaner, muffler, and alternator.
- No derating required up to 3566 m (11,700 ft) altitude, beyond 3566 m (11,700 ft) automatic derating occurs.
- All non road Tier 4 Interim and Final, Stage IIIB and IV, Japan 2011 and 2014 (Tier 4 Interim and Tier 4 Final) and Korea Tier 4 Final diesel engines are required to use only Ultra Low Sulfur Diesel (ULSD) fuels containing 15 ppm (mg/kg) sulfur or less. Biodiesel blends up to B20 (20% blend by volume) are acceptable when blended with 15 ppm (mg/kg) sulfur or less ULSD. B20 should meet ASTM D7467 specification (biodiesel blend stock should meet Cat biodiesel spec, ASTM D6751 or EN 14214). Cat DEO-ULS™ or oils that meet the Cat ECF-3, API CJ-4, and ACEA E9 specification are required. Consult your OMM for further machine specific fuel recommendations.
- Diesel Exhaust Fluid (DEF) used in Cat Selective Catalytic Reduction (SCR) systems must meet the requirements outlined in the International Organization for Standardization (ISO) standard 22241.

Service Refill Capacities

Fuel Tank	627 L	165 gal
DEF Tank	24 L	6.3 gal
Cooling System	86 L	22.7 gal
Engine Crankcase*	38 L	10 gal
Power Train	155 L	41 gal
Final Drives (each)	12.5 L	3.3 gal
Roller Frames (each)	65 L	17.2 gal
Pivot Shaft Compartment	40 L	10.6 gal
Hydraulic Tank	75 L	19.8 gal

*With oil filter

Weights

Operating Weight		
Standard	39 420 kg	86,900 lb
LGP	37 420 kg	82,496 lb
Shipping Weight		
Standard SU Blade	30 070 kg	66,300 lb
LGP	31 160 kg	68,700 lb

- Operating Weight – Standard: Includes hydraulic controls, blade, tilt cylinder, coolant, lubricants, 100% fuel, ROPS, FOPS cab, SU-Blade, Single-Shank Ripper, 610 mm (24 in) MS shoes, and operator.
- Operating Weight – LGP: Includes hydraulic controls, blade, tilt cylinder, drawbar, coolant, lubricants, 100% fuel, ROPS, FOPS cab, SU-Blade, 965 mm (38 in) MS shoes, and operator.
- Shipping Weight – Standard: Includes coolant, lubricants, 20% fuel, ROPS, FOPS cab, and 610 mm (24 in) MS shoes.
- Shipping Weight – LGP: Includes coolant, lubricants, 20% fuel, ROPS, FOPS cab, and 965 mm (38 in) MS shoes.

D8T Track-Type Tractor Specifications

Undercarriage

Standard

Shoe Type	Moderate Service	
Width of Shoe	610 mm	24 in
Shoes/Side	44	
Track Rollers per Side	8	
Grouser Height	78 mm	3.1 in
Pitch	216 mm	8.5 in
Ground Clearance	613 mm	24.1 in
Track Gauge	2083 mm	82 in
Length of Track on Ground	3206 mm	126 in
Ground Contact Area	3.91 m ²	6,060 in ²
Ground Pressure (ISO 16754)	89.6 kPa	13.0 psi

LGP

Shoe Type	Moderate Service	
Width of Shoe	965 mm	38 in
Shoes/Side	44	
Track Rollers per Side	8	
Grouser Height	78 mm	3.1 in
Pitch	216 mm	8.5 in
Ground Clearance	613 mm	24.1 in
Track Gauge	2337 mm	92 in
Length of Track on Ground	3206 mm	126 in
Ground Contact Area	6.19 m ²	9,593 in ²
Ground Pressure (ISO 16754)	53.3 kPa	7.7 psi

Hydraulic Controls

Pump Type	Piston-type, Variable Displacement	
Pump Output (Steering)	284 L/min	75 gal/min
Pump Output (Implement)	244 L/min	64 gal/min
Tilt Cylinder Rod End Flow	132 L/min	35 gal/min
Tilt Cylinder Head End Flow	170 L/min	45 gal/min
Bulldozer Relief Valve Setting	24 000 kPa	3,480 psi
Tilt Cylinder Relief Valve Setting	24 000 kPa	3,480 psi
Ripper (Lift) Relief Valve Setting	24 000 kPa	3,480 psi
Ripper (Pitch) Relief Valve Setting	24 000 kPa	3,480 psi
Steering	39 200 kPa	5,700 psi

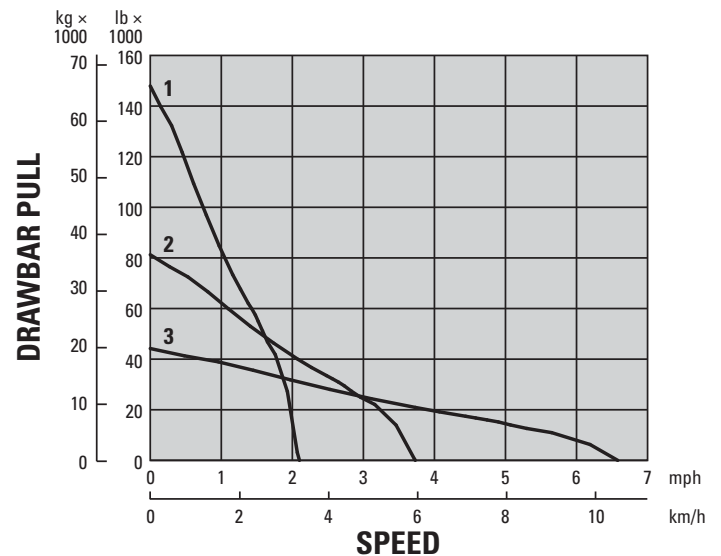
- Steering Pump output measured at 2,364 rpm (pump speed) and 30 000 kPa (4,351 psi).
- Implement Pump output measured at 1,900 rpm and 6895 kPa (1,000 psi).
- Electro-hydraulic pilot valve assists operations of ripper and dozer controls. A standard hydraulic system includes four valves.
- Complete system consists of pump, tank, filter, oil cooler, valves, lines, and control levers.

Transmission

1 Forward	3.4 km/h	2.1 mph
2 Forward	6.1 km/h	3.8 mph
3 Forward	10.6 km/h	6.6 mph
1 Reverse	4.5 km/h	2.8 mph
2 Reverse	8 km/h	5 mph
3 Reverse	14.2 km/h	8.8 mph

Drawbar Pull

1 Forward	661.1 kN	148 lbf
2 Forward	363.1 kN	81 lbf
3 Forward	197.5 kN	44 lbf



D8T Track-Type Tractor Specifications

Blades

8SU

Capacity (SAE J1265)	8.6 m ³	11.3 yd ³
Width (over end bits)	3931 mm	12.9 ft
Height	1690 mm	5.5 ft
Digging Depth	511 mm	20.1 in
Ground Clearance	1310 mm	51.6 in
Maximum Tilt	861 mm	33.9 in
Weight* (without hydraulic controls)	4260 kg	10,100 lb
Total Operating Weight** (with Blade and Single-Shank Ripper)	39 420 kg	86,900 lb

8U

Capacity (SAE J1265)	11.8 m ³	15.4 yd ³
Width (over end bits)	4251 mm	13.9 ft
Height	1741 mm	5.7 ft
Digging Depth	567 mm	22.3 in
Ground Clearance	1239 mm	48.8 in
Maximum Tilt	996 mm	39.2 in
Weight* (without hydraulic controls)	4895 kg	11,500 lb
Total Operating Weight** (with Blade and Single-Shank Ripper)	40 055 kg	88,300 lb

8A

Capacity (SAE J1265)	5.2 m ³	6.8 yd ³
Width (over end bits)	5045 mm	16.6 ft
Height	1177 mm	3.9 ft
Digging Depth	625 mm	24.6 in
Ground Clearance	1323 mm	52.1 in
Maximum Tilt	733 mm	28.9 in
Weight* (without hydraulic controls)	5121 kg	11,900 lb
Total Operating Weight** (with Blade and Single-Shank Ripper)	40 281 kg	88,700 lb

8SU LGP

Capacity (SAE J1265)	9.9 m ³	12.9 yd ³
Width (over end bits)	4531 mm	14.9 ft
Height	1622 mm	5.3 ft
Digging Depth	513 mm	20.2 in
Ground Clearance	1308 mm	51.5 in
Maximum Tilt	908 mm	35.7 in
Weight* (without hydraulic controls)	4703 kg	11,150 lb
Total Operating Weight** (with Blade and Single-Shank Ripper)	36 950 kg	82,496 lb

*Includes blade tilt cylinder.

**Operating Weight: Includes hydraulic controls, blade tilt cylinder, coolant, lubricants, 100% fuel, ROPS, FOPS cab, blade, single-shank ripper, 610 mm (24 in) MS shoes, and operator.

Ripper

Single-Shank, Adjustable Parallelogram

Number of Pockets	1	
Maximum Clearance Raised (under tip, pinned in bottom hole)	636 mm	25 in
Maximum Penetration (standard tip)	1130 mm	44.4 in
Maximum Penetration Force (shank vertical)	127.3 kN	28,620 lb
Pry out Force	222.7 kN	50,070 lb
Weight* (without hydraulic controls)	4085 kg	9,005 lb
Total Operating Weight (with SU-Blade and Ripper)	39 420 kg	86,900 lb

Multi-Shank, Adjustable Parallelogram

Number of Pockets	3	
Overall Beam Width	2464 mm	97 in
Maximum Clearance Raised (under tip, pinned in bottom hole)	593 mm	23.35 in
Maximum Penetration (standard tip)	780 mm	30.7 in
Maximum Penetration Force (shank vertical)	124.2 kN	27,920 lb
Pry out Force (Multi-Shank Ripper with one tooth)	222.9 kN	51,230 lb
Weight		
With One Shank	4877 kg	10,752 lb
Each Additional Shank	332 kg	732 lb
Total Operating Weight* (with SU-Blade and Ripper)	40 212 kg	88,646 lb

*Total Operating Weight: Includes hydraulic controls, blade tilt cylinder, coolant, lubricants, 100% fuel, ROPS, FOPS cab, blade, single-shank ripper, 610 mm (24 in) MS shoes, and operator.

D8T Track-Type Tractor Specifications

Winches

Winch Model	PA 140OVS	
Weight*	1790 kg	3,947 lb
Oil Capacity	15 L	4 gal
Increased Tractor Length	563 mm	22.2 in
Winch Length	1430 mm	56.3 in
Winch Case Width	1160 mm	45.6 in
Drum Width	320 mm	12.6 in
Flange Diameter	457 mm	18 in
Recommended Cable Size	29 mm	1.13 in
Optimal Cable Size	32 mm	1.25 in
Drum Capacity – Recommended Cable Size	84 m	276 ft
Drum Capacity – Optional Cable	59 m	193 ft
Cable Ferrule Sizes – Outside Diameter	60 mm	2.36 in
Cable Ferrule Sizes – Length	70 mm	2.76 in

- Variable speed, hydraulically driven, dual braking system, three roller fairlead.

*Weight: Includes pump and operator controls.

Standards

- The declared dynamic operator sound pressure level is 75 dB(A) when “ISO 6396:2008” is used to measure the value for an enclosed cab. On machines equipped with the optional sound package the declared dynamic operator sound pressure level is 74 dB(A) when “ISO 6396:2008” is used to measure the value for an enclosed cab. The measurement was conducted at 70% of the maximum engine cooling fan speed. The sound level may vary at different engine cooling fan speeds. The measurement was conducted with the cab doors and the cab windows closed. The cab was properly installed and maintained.
- Hearing protection may be needed when the machine is operated with an open operator station for extended periods or in a noisy environment. Hearing protection may be needed when the machine is operated with a cab that is not properly maintained, or when the doors and windows are open for extended periods or in a noisy environment.
- The declared exterior sound power level is 113 dB(A) when the value is measured according to the dynamic test procedures and the conditions that are specified in “ISO 6395:2008.” The measurement was conducted at 70% of the maximum engine cooling fan speed. The sound level may vary at different engine cooling fan speeds.

ROPS/FOPS

- Rollover Protective Structure (ROPS) meets the following criteria: ISO 3471:2008.
- Falling Object Protective Structure (FOPS) meets the following criteria: ISO 3449:2005 Level II.

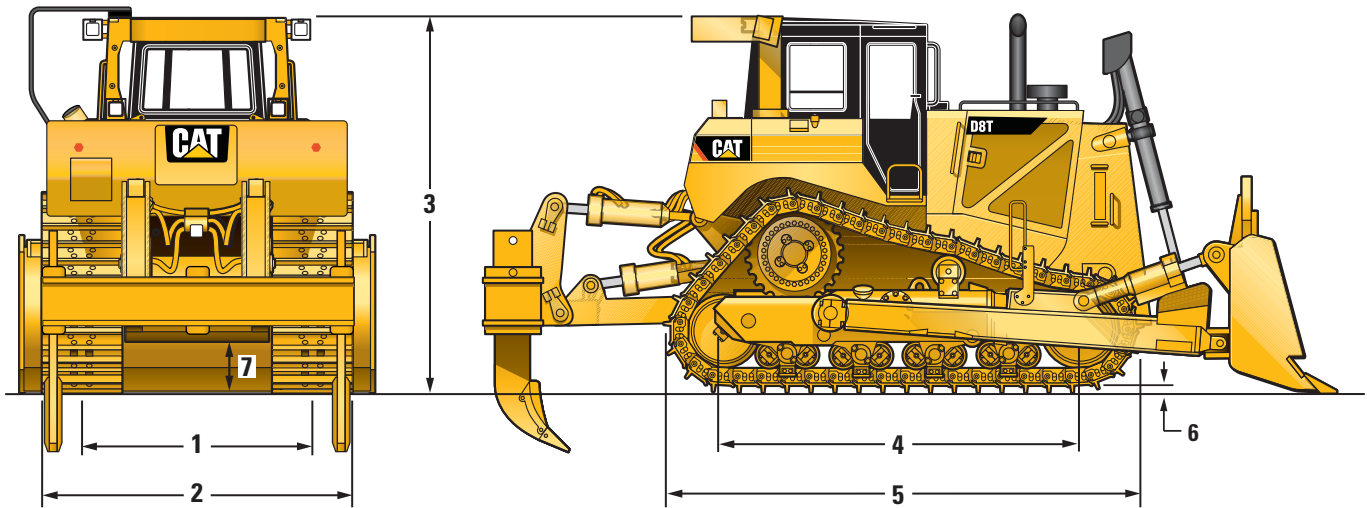
Brakes

- Crawler Machine Brake Requirements meets the following criteria: ISO 10265:2008.

D8T Track-Type Tractor Specifications

Dimensions

All dimensions are approximate.



	Standard		Non-Suspended		LGP*	
1 Track Gauge	2083 mm	82.0 in	2083 mm	82.0 in	2337 mm	92.0 in
2 Width of Tractor						
Over Trunnions	3057 mm	120.4 in	3057 mm	120.4 in	3311 mm	130.4 in
Without Trunnions (Standard shoe width)	2693 mm	106.0 in	2693 mm	106.0 in	3302 mm	130.0 in
3 Machine Height**, from Tip of Grouser						
Exhaust Stack	3472 mm	136.7 in	3463 mm	136.3 in	3295 mm	129.7 in
EROPS (to top of railing)	3566 mm	140.4 in	3575 mm	140.7 in	3566 mm	140.4 in
4 Length of Track on Ground	3206 mm	126.2 in	3258 mm	128.3 in	3206 mm	126.2 in
5 Length of Basic Tractor (tag link trunnion to tip of rear grouser)	4647 mm	183.0 in	4647 mm	183.0 in	4647 mm	183.0 in
With the following attachments add:						
Ripper – Single Shank (with tip at ground line)	1519 mm	59.8 in	1519 mm	59.8 in		N/A
Ripper – Multi Shank (with tip at ground line)	1613 mm	63.5 in	1613 mm	63.5 in		N/A
SU Blade	1844 mm	72.6 in	1844 mm	72.6 in	1844 mm	72.6 in
U Blade	2241 mm	88.2 in	2241 mm	88.2 in		N/A
A Blade (not angled)	2027 mm	79.8 in	2027 mm	79.8 in		N/A
A Blade (angled 25 degrees)	3068 mm	120.8 in	3068 mm	120.8 in		N/A
Drawbar	406 mm	16.0 in	406 mm	16.0 in	406 mm	16.0 in
6 Height of Grouser	78 mm	3.1 in	78 mm	3.1 in	78 mm	3.1 in
7 Ground Clearance	613 mm	24.1 in	606 mm	23.8 in	613 mm	24.1 in

*Standard shoe width of D8T LGP with non-suspended undercarriage is 965 mm (38 in).

**When Cat Grade Control 3D antennas are installed, overall machine height increases by approximately 82 mm/3.2 in.