

# D6R Series III

Track-Type Tractor



---

#### Engine

Engine Model	Cat® C9 ACERT®	
Net Power – ISO 9249	138 kW	185 hp

---

#### Engine – XL/XW/LGP

Net Power – ISO 9249	149 kW	200 hp
----------------------	--------	--------

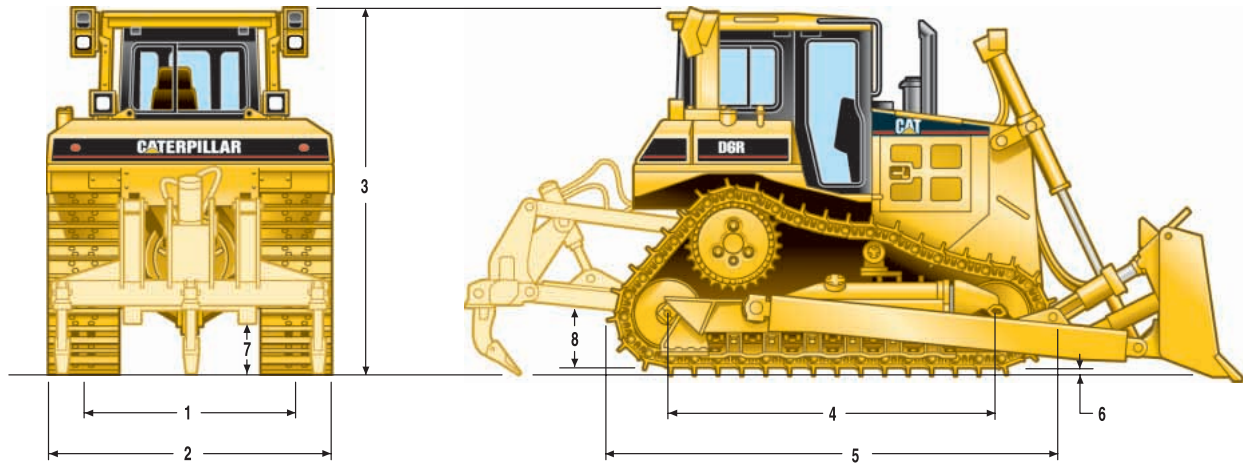
---

#### Weights

Operating Weight	18 669 kg	41,159 lb
Shipping Weight	14 708 kg	32,426 lb

# Dimensions

All dimensions are approximate.

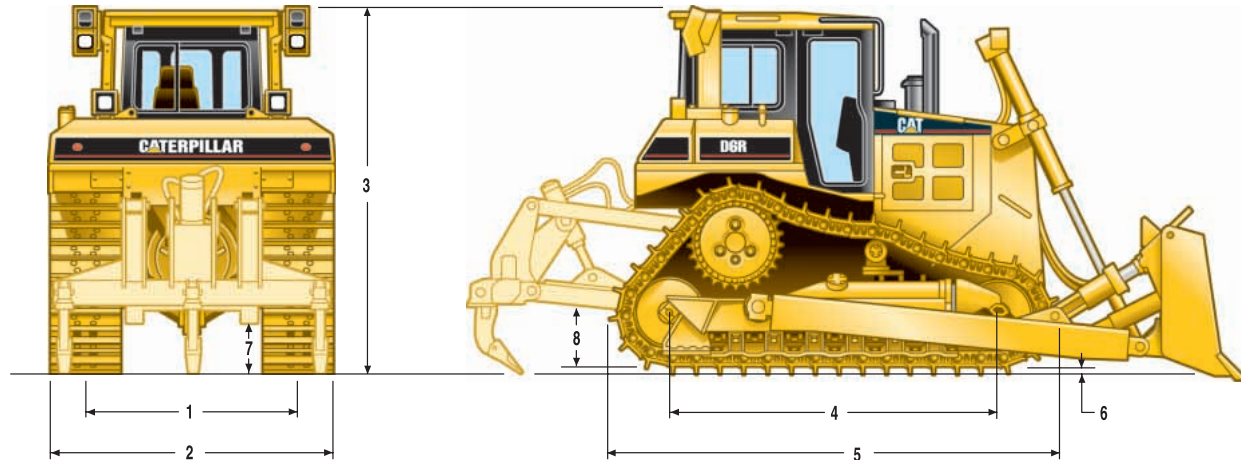


	STD	XL	XL VPAT
<b>1</b> Track gauge	1880 mm (74 in)	1880 mm (74 in)	2134 mm (84 in)
<b>2</b> Width of tractor			
Over trunnions	2640 mm (8 ft 8 in)	2640 mm (8 ft 8 in)	—
Without trunnions (std. track)	2440 mm (8 ft 0 in)	2440 mm (8 ft 0 in)	2692 mm (8 ft 0 in)
<b>3</b> Machine height from tip of grouser:			
Stack	3143 mm (10 ft 4 in)	3143 mm (10 ft 4 in)	3143 mm (10 ft 4 in)
ROPS	3195 mm (10 ft 6 in)	3195 mm (10 ft 6 in)	3195 mm (10 ft 6 in)
<b>4</b> Length of track on ground	2664 mm (8 ft 9 in)	2871 mm (9 ft 5 in)	2871 mm (9 ft 5 in)
<b>5</b> Length of basic tractor	3860 mm (12 ft 8 in)	3860 mm (12 ft 8 in)	3860 mm (12 ft 8 in)
With following attachments add:			
Drawbar	217 mm (8.5 in)	217 mm (8.5 in)	217 mm (8.5 in)
Ripper Multi-Shank (tip at ground line)	1403 mm (4 ft 7 in)	1403 mm (4 ft 7 in)	1403 mm (4 ft 7 in)
Winch	517 mm (1 ft 8 in)	517 mm (1 ft 8 in)	517 mm (1 ft 8 in)
S Blade	1043 mm (3 ft 5 in)	—	—
SU Blade	1235 mm (4 ft 1 in)	1472 mm (4 ft 10 in)	—
A Blade	1147 mm (3 ft 9 in)	1349 mm (4 ft 5 in)	—
VPAT Blade	—	—	1412 mm (4 ft 8 in)
<b>6</b> Height of grouser	65 mm (2.6 in)	65 mm (2.6 in)	65 mm (2.6 in)
<b>7</b> Ground clearance	383 mm (1 ft 3 in)	383 mm (1 ft 3 in)	383 mm (1 ft 3 in)
Track pitch	203 mm (8.0 in)	203 mm (8.0 in)	203 mm (8.0 in)
Number of shoes per side	39	41	41
Number of rollers per side	6	7	7
Standard shoe	560 mm (22 in)	560 mm (22 in)	560 mm (22 in)
Ground contact area (std. track)	2.98 m <sup>2</sup> (4620 in <sup>2</sup> )	3.22 m <sup>2</sup> (4972 in <sup>2</sup> )	3.22 m <sup>2</sup> (4972 in <sup>2</sup> )
Ground pressure*	0.614 kg/cm <sup>2</sup> (8.74 psi)	0.623 kg/cm <sup>2</sup> (8.90 psi)	0.658 kg/cm <sup>2</sup> (9.36 psi)
<b>8</b> Drawbar height	576 mm (1 ft 11 in)	576 mm (1 ft 11 in)	576 mm (1 ft 11 in)
From ground face of shoe	511 mm (1 ft 8 in)	511 mm (1 ft 8 in)	511 mm (1 ft 8 in)

\*STD, XL, XW with SU blade, with no rear attachments unless otherwise specified.

# Dimensions

All dimensions are approximate.



	<b>XW</b>	<b>XW VPAT</b>	<b>LGP S</b>	<b>LGP VPAT</b>
<b>1</b> Track gauge	2032 mm (80 in)	2286 mm (90 in)	2286 mm (90 in)	2286 mm (90 in)
<b>2</b> Width of tractor				
Over trunnions	2950 mm (9 ft 8 in)	—	3428 mm (11 ft 3 in)	—
Without trunnions (std. track)	2794 mm (9 ft 2 in)	3048 mm (10 ft 0 in)	3193 mm (10 ft 6 in)	3150 mm (10 ft 4 in)
<b>3</b> Machine height from tip of grouser:				
Stack	3143 mm (10 ft 4 in)	3143 mm (10 ft 4 in)	3193 mm (10 ft 6 in)	3193 mm (10 ft 6 in)
ROPS	3195 mm (10 ft 6 in)	3195 mm (10 ft 6 in)	3245 mm (10 ft 8 in)	3245 mm (10 ft 8 in)
<b>4</b> Length of track on ground	2871 mm (9 ft 5 in)	2871 mm (9 ft 5 in)	3275 mm (10 ft 9 in)	3275 mm (10 ft 9 in)
<b>5</b> Length of basic tractor	3860 mm (12 ft 8 in)	3860 mm (12 ft 8 in)	4247 mm (13 ft 11 in)	4247 mm (13 ft 11 in)
With following attachments add:				
Drawbar	217 mm (8.5 in)	217 mm (8.5 in)	251 mm (9.9 in)	251 mm (9.9 in)
Ripper Multi-Shank (tip at ground line)	1403 mm (4 ft 7 in)	1403 mm (4 ft 7 in)	—	—
Winch	517 mm (1 ft 8 in)	517 mm (1 ft 8 in)	397 mm (1 ft 4 in)	397 mm (1 ft 4 in)
S Blade	—	—	1218 mm (4 ft 0 in)	—
SU Blade	1472 mm (4 ft 10 in)	—	—	—
A Blade	1349 mm (4 ft 5 in)	—	—	—
VPAT Blade	—	1412 mm (4 ft 8 in)	—	1718 mm (5 ft 8 in)
<b>6</b> Height of grouser	65 mm (2.6 in)	65 mm (2.6 in)	65 mm (2.6 in)	65 mm (2.6 in)
<b>7</b> Ground clearance	383 mm (1 ft 3 in)	383 mm (1 ft 3 in)	433 mm (1 ft 5 in)	433 mm (1 ft 5 in)
Track pitch	203 mm (8.0 in)	203 mm (8.0 in)	203 mm (8.0 in)	203 mm (8.0 in)
Number of shoes per side	41	41	45	45
Number of rollers per side	7	7	8	8
Standard shoe	760 mm (30 in)	760 mm (30 in)	915 mm (36 in)	810 mm (32 in)
Ground contact area (std. track)	4.36 m <sup>2</sup> (6780 in <sup>2</sup> )	4.36 m <sup>2</sup> (6780 in <sup>2</sup> )	5.99 m <sup>2</sup> (9288 in <sup>2</sup> )	5.31 m <sup>2</sup> (8256 in <sup>2</sup> )
Ground pressure*	0.472 kg/cm <sup>2</sup> (6.72 psi)	0.489 kg/cm <sup>2</sup> (6.95 psi)	0.362 kg/cm <sup>2</sup> (5.15 psi)	0.433 kg/cm <sup>2</sup> (6.16 psi)
<b>8</b> Drawbar height	576 mm (1 ft 11 in)	576 mm (1 ft 11 in)	626 mm (2 ft 1 in)	626 mm (2 ft 1 in)
From ground face of shoe	511 mm (1 ft 8 in)	511 mm (1 ft 8 in)	561 mm (1 ft 10 in)	561 mm (1 ft 10 in)

\*STD, XL, XW with SU blade, with no rear attachments unless otherwise specified.

# Weight

All dimensions are approximate.

## Bulldozer Specifications

		<b>S STD</b>	<b>S LGP</b>	<b>SU STD</b>	<b>SU XL</b>	<b>SU XW</b>	<b>A † STD</b>	<b>A † XL</b>	<b>A † XW</b>	<b>VPAT XL</b>	<b>VPAT XW</b>	<b>VPAT LGP</b>
Blade Capacity	m <sup>3</sup>	3.89	3.75	5.61	5.61	5.62	3.93	3.93	4.30	4.73	5.10	4.32
	yd <sup>3</sup>	5.09	4.90	7.34	7.34	7.35	5.14	5.14	5.63	6.19	6.67	5.65
Width	mm	3360	4063	3260	3260	3556	4166	4165	4200	3880	4160	4160
	ft	11.00	13.33	10.66	10.66	11.66	13.66	13.66	13.75	12.73	13.65	13.65
Height	mm	1257	1101	1412	1412	1412	1155	1155	1169	1295	1295	1191
	in	50	44	56	56	56	45	45	46	51	51	47
Digging Depth	mm	473	655	473	459	459	506	524	500	737	737	672
	in	19	26	19	18	18	20	21	20	29	29	26
Ground Clearance	mm	1104	1083	1104	1195	1195	1142	1205	1242	1174	1174	1230
	in	44	43	44	47	47	45	47	49	46	46	48
Max. Tilt	mm	765	701	743	743	743	408	408	408	440	460	502
	in	30	28	29	29	29	16	16	16	17	18	20
Weight*	kg	2599	2836	2699	2973	2949	3050	3150	3400	3560	3650	3620
	lb	5,730	6,252	5,950	6,554	6,501	6,724	6,945	7,496	7,848	8,047	7,981
Weight**	kg	—	—	—	—	—	—	—	—	1593	1681	1591
	lb	—	—	—	—	—	—	—	—	3,512	3,705	3,507

\* Includes push arms, blade, blade tilt cylinder(s), cutting edges and miscellaneous hardware components

\*\*VPAT blade only

† Angle dozers include two tilt cylinders.