

KOMATSU[®]

D61EX-24 **D61PX-24** *Tier 4 Final Engine*

CRAWLER DOZER

D61



Photos may include optional equipment.

NET HORSEPOWER

168 HP @ 2200 rpm
125 kW @ 2200 rpm

OPERATING WEIGHT

D61EX-24: 40,830 lb 18520 kg
D61PX-24: 42,902 lb 19460 kg

BLADE CAPACITY

D61EX-24: 4.41 yd³ 3.37 m³
D61PX-24: 4.98 yd³ 3.81 m³

SPECIFICATIONS



ENGINE

Model..... Komatsu SAA6D107E-3*
 Type..... 4-cycle, water-cooled, direct injection
 Aspiration..... Variable geometry, water-cooled, turbocharged, air-to-air aftercooled, cooled EGR
 Number of cylinders..... 6
 Bore x stroke..... 107 mm x 124 mm **4.21" x 4.88"**
 Piston displacement..... 6.69 ltr **408 in³**
 Governor..... All-speed and mid-range, electronic
 Horsepower
 SAE J1995..... Gross 127 kW **170 HP**
 ISO 9249 / SAE J1349..... Net 125 kW **168 HP**
 Hydraulic fan at maximum speed..... Net 113 kW **152 HP**
 Rated rpm..... 2200 rpm
 Fan drive type..... Hydraulic
 Lubrication system
 Method..... Gear pump, force lubrication
 Filter..... Full-flow

*EPA Tier 4 Final emissions certified



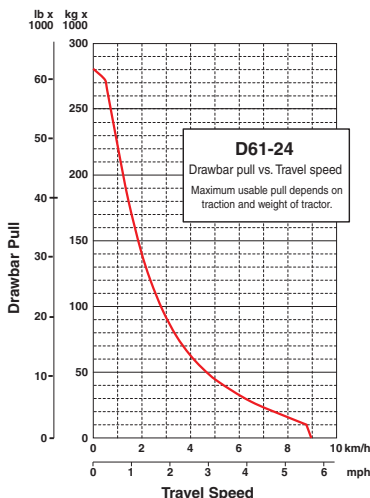
HYDROSTATIC TRANSMISSION

Dual-path, hydrostatic transmission provides infinite speed changes up to 9.0 km/h **5.6 mph**. The variable capacity travel motors allow the operator to select the optimum speed to match specific jobs. Travel control lock lever and neutral switch.

Travel speed (quick shift mode)*	Forward	Reverse
1st	0-3.4 km/h 0-2.1 mph	0-4.1 km/h 0-2.5 mph
2nd	0-5.6 km/h 0-3.5 mph	0-6.5 km/h 0-4.0 mph
3rd	0-9.0 km/h 0-5.6 mph	0-9.0 km/h 0-5.6 mph

Travel speed (variable mode)	Forward	Reverse
	0-9.0 km/h 0-5.6 mph	0-9.0 km/h 0-5.6 mph

*Quick shift speeds are adjustable in the monitor.



FINAL DRIVES

In-shoe mounted axial piston type travel motors with integrated two-stage planetary gear reduction. Compact in-shoe mount reduces risk of damaged by debris. Bolt-on sprocket for easy displacement.



STEERING SYSTEM

PCCS joystick control for all directional movements. Pushing the joystick forward results in forward machine travel, while pulling it backward reverses the machine. Simply tilt the joystick to the left or right to make a turn. Tilting the joystick fully to the left or right activates counter-rotation. HST eliminates steering clutches and brakes, providing smooth powerful turns. Fully electronic control enables smooth control. The PCCS utilizes shift buttons to increase and decrease speed.

Minimum turning radius
 D61EX-24 2.1 m **83"**
 D61PX-24 2.3 m **91"**



UNDERCARRIAGE

Suspension..... Oscillating-type with equalizer bar and pivot shafts
 Track roller frame..... Monocoque, large section, durable construction
 Rollers and idlers..... Lubricated track rollers

Lubricated tracks
 Parallel Link Undercarriage System (PLUS) with lubricated rotating bushings for extended system wear life and lower maintenance costs. Track tension is easily adjusted with grease gun.

	D61EX-24	D61PX-24
Number of track rollers (each side)	8	8
Type of shoes (standard)	Single grouser	Single grouser
Number of shoes (each side)	46	46
Grouser height	mm in 57.5 2.3"	57.5 2.3"
Shoe width (standard)	mm in 600 24"	860 34"
Ground contact area	cm ² 37980	54440
	in ² 5,887	8,438
Ground pressure	kPa 43.2	31.7
(with dozer, ROPS cab)	kgf/cm ² 0.44	0.32
	psi 6.27	4.60
Track gauge	mm ft.in 1900 6'3"	2130 7'0"
Length of track on ground	mm ft.in 3165 10'5"	3165 10'5"



SERVICE REFILL CAPACITIES

Coolant..... 45 ltr **11.9 U.S. gal**
 Fuel tank..... 372 ltr **98.3 U.S. gal**
 Engine oil..... 27 ltr **7.2 U.S. gal**
 Hydraulic tank..... 101 ltr **26.7 U.S. gal**
 Final drive (each side)..... 8.1 ltr **2.2 U.S. gal**
 DEF tank..... 20.6 ltr **5.4 U.S. gal**



OPERATING WEIGHT (APPROXIMATE)

Tractor weight:
 Including ROPS (ISO 3471) cab, C frame for PAT dozer, rated capacity of lubricant, coolant, full fuel tank, operator and standard equipment.

D61EX-24 17530 kg **38,647 lb**
 D61PX-24 18320 kg **40,389 lb**

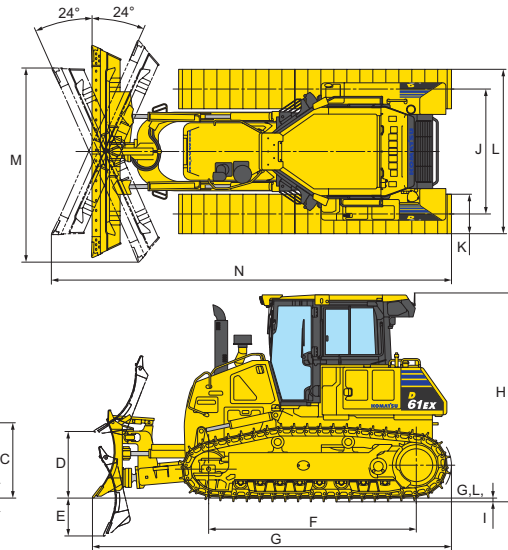
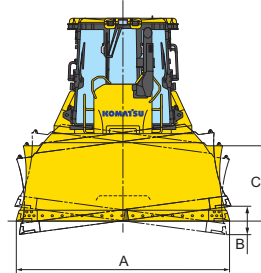
Operating weight:
 Including PAT dozer, ROPS (ISO 3471) cab, operator, standard equipment, rated capacity of lubricant, coolant and full fuel tank.

D61EX-24 18520 kg **40,830 lb**
 D61PX-24 19460 kg **42,902 lb**



DIMENSIONS

	D61EX-24	D61PX-24
A	3250 mm 10'8"	3860 mm 12'8"
B	435 mm 1'5"	515 mm 1'8"
C	1195 mm 3'11"	1155 mm 3'9"
D	1025 mm 3'4"	1025 mm 3'4"
E	580 mm 1'11"	580 mm 1'11"
F	3165 mm 10'5"	3165 mm 10'5"
G	5480 mm 18'	5480 mm 18'
H	3180 mm 10'5"	3180 mm 10'5"
I	57.5 mm 2"	57.5 mm 2"
J	1900 mm 6'3"	2130 mm 7'0"
K	600 mm 2'0"	860 mm 2'10"
L	2500 mm 8'2"	2990 mm 9'10"
M	2980 mm 9'9"	3530 mm 11'7"
N	6100 mm 20'0"	6220 mm 20'5"



Ground clearance 390 mm **15"**



HYDRAULIC SYSTEM

Closed-Center Load Sensing System (CLSS) designed for precise and responsive control, and for efficient simultaneous operation.

Hydraulic control unit:

All spool control valves externally mounted remote to the hydraulic tank. Piston-type hydraulic pump with capacity (discharge flow) of 171 ltr/min **45 U.S. gal/min** at rated engine rpm.

Relief valve setting 27.4 MPa 280 kg/cm² **3,974 psi**
 Hydraulic cylinders Double-acting, piston type

	Number of cylinders	Bore
Blade lift	2	100 mm 4"
Blade tilt	1	120 mm 5"
Blade angle	2	110 mm 4"

Hydraulic oil capacity (refill):

Power angle tilt dozer 101 ltr **26.7 U.S. gal**

Control valves:

3-spool control valve for Power Angle Tilt dozer

Positions:

Blade lift Raise, hold, lower, and float

Blade tilt Right, hold, and left

Blade angle Right, hold, and left

Additional control valve required for ripper

Positions:

Ripper lift Raise, hold, and lower



DOZER EQUIPMENT

	Overall Length With Dozer mm ft.in	Blade Capacity m ³ yd ³	Blade Width x Height mm ft.in	Max. Lift Above Ground mm ft.in	Max. Drop Below Ground mm ft.in	Max. Tilt Adjustment mm ft.in
D61EX-24	5480	3.4	3250 x 1195	1025	580	435
Power Angle Tilt Dozer	18'0"	4.5	10'8" x 3'11"	3'4"	1'11"	17"
D61PX-24	5480	3.8	3860 x 1155	1025	580	515
Power Angle Tilt Dozer	18'0"	5.0	12'8" x 3'9"	3'4"	1'11"	20"

Blade capacities are based on the recommended practice ISO 9246. Use of high-tensile-strength steel in moldboard for strengthened blade construction.