

KOMATSU®

D39EX-23

D39PX-23

Tier 4 Interim Engine

D
3
9

NET HORSEPOWER

105 HP @ 2200rpm

78 kW @ 2200rpm

OPERATING WEIGHT

D39EX-23 9410 kg 20,749 lb

D39PX-23 9830 kg 21,675 lb

BLADE CAPACITY

2.89–3.14 yd³

2.21–2.40 m³



PHOTOS MAY INCLUDE OPTIONAL EQUIPMENT



ENGINE

Model.....Komatsu SAA4D95LE-6*
 Type..... 4-cycle, water-cooled, direct injection
 Aspiration..... Variable flow turbocharged, air-to-air aftercooled
 Number of cylinders..... 4
 Bore x stroke..... 95 mm x 115 mm **3.75" x 4.52"**
 Piston displacement.....3.26 ltr **199 in³**
 Governor.....All-speed, electronic
 Horsepower
 SAE J1995.....Gross 79 kW **107 HP**
 ISO 9249 / SAE J1349.....Net 78 kW **105 HP**
 Rated rpm..... 2200 rpm
 Fan drive type.....Hydraulic
 Lubrication system
 Method..... Gear pump, forced lubrication
 Filter..... Full-flow
 *EPA Tier 4 Interim and EU stage 3B emissions certified



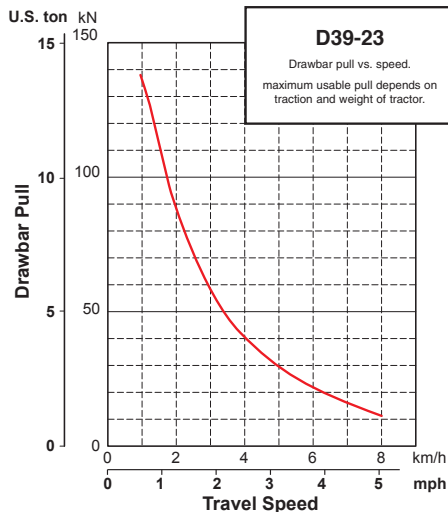
HYDROSTATIC TRANSMISSION

Dual-path, hydrostatic transmission provides infinite speed changes up to 5.3 km/h **8.5 mph**. The variable capacity travel motors allow the operator to select the optimum speed to match specific jobs. Travel control lock lever and neutral switch.

Travel speed (quick shift mode)*	Forward	Reverse
1st	0-3.4 km/h 0-2.1 mph	0-4.1 km/h 0-2.5 mph
2nd	0-5.6 km/h 0-3.5 mph	0-6.5 km/h 0-4.0 mph
3rd	0-8.5 km/h 0-5.3 mph	0-8.5 km/h 0-5.3 mph

Travel speed (variable mode)	Forward	Reverse
	0-8.5 km/h 0-5.3 mph	0-8.5 km/h 0-5.3 mph

*Quick shift speeds are adjustable in the monitor.



FINAL DRIVES

In-shoe mounted axial piston type travel motors with integrated two-stage planetary gear reduction. Compact in-shoe mount reduces risk of damaged by debris. Bolt-on sprocket ring.



STEERING SYSTEM

Palm Command Control System (PCCS) joystick control for all directional movements. Pushing the joystick forward results in forward machine travel, while pulling it rearward reverses the machine. Simply tilt the joystick to the left or right to make a turn. Tilting the joystick fully to the left or right activates counter-rotation. Hydrostatic Transmission (HST) provides smooth powerful turns. Fully electronic control enables smooth control that can be adjusted in the monitor. The PCCS utilizes shift buttons to increase and decrease speed.

Minimum turning radius*
 D39EX-23 2.2 m **87"**
 D39PX-23..... 2.4 m **94"**

*As measured by track marks on the ground at pivot turn.



UNDERCARRIAGE

Suspension..... Rigid type
 Track roller frame.....Monocoque, large section, durable construction
 Rollers and idlers.....Lubricated track rollers
 Sealed and lubricated track
 Track tension is easily adjusted with grease gun.

	D39EX-23	D39PX-23 Narrow	D39PX-23 Wide
Number of track rollers (each side)	6	6	6
Type of shoes (standard)	Single grouser	Single grouser	Single grouser
Number of shoes (each side)	39	39	39
Grouser height	mm in 53 2.1"	53 2.1"	53 2.1"
Shoe width (standard)	mm in 510 20"	635 25"	700 27.5"
Ground contact area	cm² 23919	29782	32970
	in² 3,708	4,616	5,110
Ground pressure (with dozer, ROPS cab)	kPa 37.8	31.7	30.0
	kgf/cm² 0.39	0.33	0.31
	psi 5.60	4.70	4.35
Track gauge	mm ft.in 1620 5'4"	1810 5'11"	1810 5'11"
Length of track on ground	mm ft.in 2345 7'8"	2345 7'8"	2345 7'8"



SERVICE REFILL CAPACITIES

Coolant 34 ltr **9.0 U.S. gal**
 Fuel tank 190 ltr **50.2 U.S. gal**
 Engine oil 11 ltr **2.9 U.S. gal**
 Hydraulic tank 60 ltr **15.8 U.S. gal**
 Final drive (each side)..... 3.5 ltr **0.9 U.S. gal**



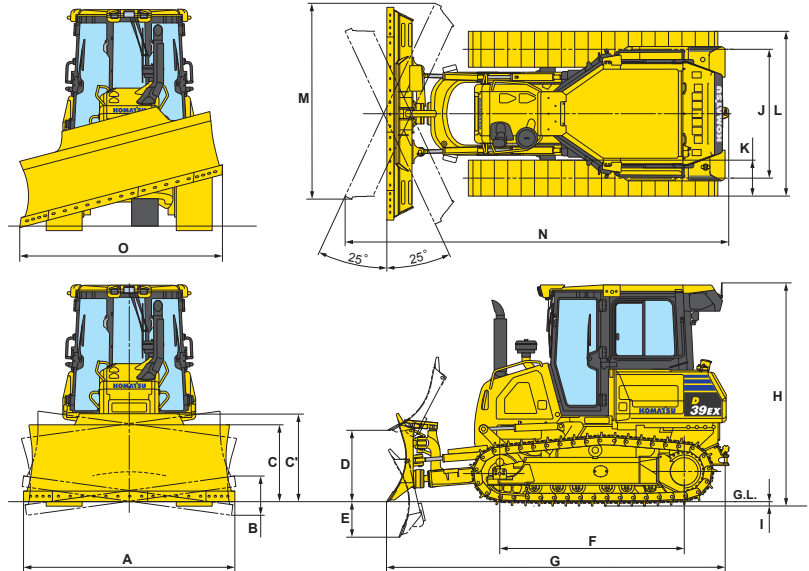
OPERATING WEIGHT (APPROXIMATE)

Tractor weight:
 Including ROPS cab, U frame for power angle tilt dozer, rated capacity of lubricant, coolant, full fuel tank, operator, and standard equipment.
 D39EX-23 8260 kg **18,210 lb**
 D39PX-23 8610 kg **18,982 lb**
 Operating weight:
 Including Power Angle Tilt dozer, ROPS cab, operator, standard equipment, rated capacity of lubricant, hydraulic control unit, coolant, and full fuel tank.
 D39EX-239410 kg **20,749 lb**
 D39PX-23 9830 kg **21,675 lb**



DIMENSIONS

	D39EX-23	D39PX-23*	D39PX-23**
A	2710 mm 8'11"	2980 mm 9'9"	3250 mm 10'8"
B	365 mm 14"	405 mm 16"	440 mm 17"
C	980 mm 39"	920 mm 36"	980 mm 38.5"
C'	1075 mm 3'6"	1047 mm 3'5"	1075 mm 3'6"
D	910 mm 3'0"	920 mm 3'0"	920 mm 3'0"
E	450 mm 1'6"	440 mm 1'6"	440 mm 1'6"
F	2360 mm 7'9"	2360 mm 7'9"	2360 mm 7'9"
G	4385 mm 14'5"	4385 mm 14'5"	4385 mm 14'5"
H	2845 mm 9'4"	2845 mm 9'4"	3015 mm 9'11"
I	53 mm 2"	53 mm 2"	53 mm 2"
J	1620 mm 5'4"	1810 mm 5'11"	1810 mm 5'11"
K	460 mm 1'6"	635 mm 2'1"	700 mm 2'3"
L	2080 mm 6'10"	2445 mm 8'0"	2490 mm 8'2"
M	2495 mm 8'2"	2980 mm 9'9"	2990 mm 9'10"
N	4910 mm 16'1"	4957 mm 16'3"	5020 mm 16'6"
O	2475 mm 8'1"	2870 mm 9'5"	2940 mm 9'8"



Ground clearance 380 mm **15"**

* PX narrow blade, standard shoe

** PX wide blade, wide shoe



HYDRAULIC SYSTEM

Closed-center Load Sensing System (CLSS) designed for precise and responsive control, and for efficient simultaneous operation.

Hydraulic control unit:

All spool control valves externally mounted remote to the hydraulic tank. Piston-type hydraulic pump with capacity (discharge flow) of 99 ltr/min **26 U.S. gal/min** at rated engine rpm.

Relief valve setting 27.4 MPa 280 kg/cm² **3,974 psi**

Hydraulic cylinders..... Double-acting, piston type

	Number of cylinders	Bore
Blade lift	2	75 mm 3.0"
Blade tilt	1	90 mm 3.5"
Blade angle	2	80 mm 3.1"

Hydraulic oil capacity (refill):

Power angle tilt dozer 60 ltr **15.9 U.S. gal**

Control valves:

3-spool control valve for Power Angle Tilt dozer

Positions:

Blade lift Raise, hold, lower, and float

Blade tilt Right, hold, and left

Blade angle Right, hold, and left

Additional control valve required for ripper

Positions:

Ripper lift..... Raise, hold, and lower



DOZER EQUIPMENT

Blade capacities are based on the SAE recommended practice J1265.

Use of high tensile strength steel in moldboard for strengthened blade construction.

	Overall Length With Dozer*	Blade Capacity	Blade Width x Height	Max. Lift Above Ground	Max. Drop Below Ground	Max. Tilt Adjustment	Blade Angle
	mm ft.in	m ³ yd ³	mm ft.in	mm ft.in	mm ft.in	mm ft.in	
D39EX-23	4385	2.21	2710 x 980	910	440	365	25°
Power Angle Tilt Dozer	14'5"	2.89	8'11" x 3'3"	3'10"	1'6"	1'3"	
D39PX-23	4385	2.40	3250 x 910	910	440	440	25°
Power Angle Tilt Dozer	14'5"	3.14	10'8" x 3'0"	3'10"	1'6"	1'5"	
D39PX-23 PAT	4385	2.22	2980 x 910	910	440	405	25°
Narrow Blade	14'5"	2.90	9'9" x 3'0"	3'10"	1'6"	1'4"	

*Including hitch