

SPECIFICATIONS



ENGINE

Model..... Komatsu SAA4D95LE-7*
 Type4-cycle, watercooled, direct injection
 Aspiration..... Variable flow, turbocharged,
 air-to-air aftercooled
 Number of cylinders..... 4
 Bore x stroke..... 95 mm x 115 mm **3.75" x 4.52"**
 Piston displacement..... 3.26 ltr **199 in³**
 Governor..... All-speed, electronic
 Horsepower
 SAE J1995.....Gross 67 kW **91 HP**
 ISO 9249 / SAE J1349..... Net 66 kW **89 HP**
 Rated rpm.....2200 rpm
 Fan drive typeHydraulic
 Lubrication system
 Method..... Gear pump, force lubrication
 Filter..... Full-flow

*EPA Tier 4 Final emissions certified



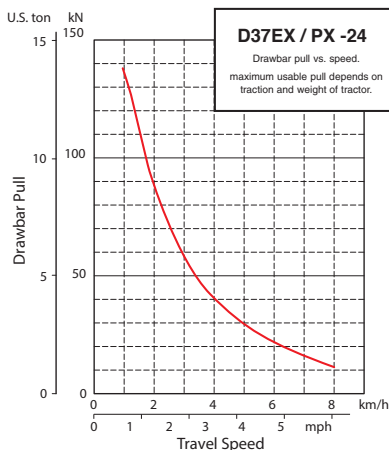
HYDROSTATIC TRANSMISSION

Dual-path, hydrostatic transmission provides infinite speed changes up to 8.5 km/h **5.3 mph**. The variable capacity travel motors allow the operator to select the optimum speed to match specific jobs. Travel control lock lever and neutral switch.

Travel speed (quick shift mode)*	Forward	Reverse
1st	0-3.4 km/h 0-2.1 mph	0-4.1 km/h 0-2.5 mph
2nd	0-5.6 km/h 0-3.5 mph	0-6.5 km/h 0-4.0 mph
3rd	0-8.5 km/h 0-5.3 mph	0-8.5 km/h 0-5.3 mph

Travel speed (variable mode)	Forward	Reverse
	0-8.5 km/h 0-5.3 mph	0-8.5 km/h 0-5.3 mph

*Quick shift speeds are adjustable in the monitor.



FINAL DRIVES

In-shoe mounted, axial-piston-type travel motors, with integrated two-stage planetary gear reduction. Compact, in-shoe mount reduces risk of damage by debris. Bolt-on sprocket ring with triple labyrinth seal design.



STEERING SYSTEM

Palm Command Control System (PCCS) joystick control for all directional movements. Pushing the joystick forward results in forward machine travel, while pulling it back reverses the machine. Simply tilt the joystick to the left or right to make a turn. Tilting the joystick fully to the left or right activates counter-rotation.

Hydrostatic Transmission (HST) provides smooth, powerful turns. Fully electronic control enables smooth control that can be adjusted in the monitor. The PCCS utilizes shift buttons to increase and decrease speed.

Minimum turning radius*

D37EX-24..... 2.1 m **83"**

D37PX-24..... 2.3 m **91"**

*As measured by track marks on the ground at pivot turn.



UNDERCARRIAGE

SuspensionRigid type
 Track roller frameMonocoque, large section, durable construction
 Rollers & idlersLubricated track rollers

Sealed & lubricated track...Track tension easily adjusted w/grease gun

	D37EX-24	D37PX-24
Number of track rollers (each side)	6	6
Number of carrier rollers (each side)	1	1
Type of shoes (standard)	Single grouser	Single grouser
Number of shoes (each side)	41	41
Grouser height	mm in 47 1.9"	47 1.9"
Shoe width (standard)	mm in 460 18"	600 24"
Ground contact area	cm ² 20516	26760
	in² 3,180	4,148
Ground pressure	kPa 43.2	33.7
(with standard shoe)	kgf/cm ² 0.44	0.35
	psi 6.23	4.94
Track gauge	mm ft.in 1570 5'2"	1710 5'7"
Length of track on ground	mm ft.in 2230 7'4"	2230 7'4"



SERVICE REFILL CAPACITIES

Coolant 34 ltr **9.0 U.S. gal**
 Fuel tank 190 ltr **50.2 U.S. gal**
 Engine oil 11 ltr **2.9 U.S. gal**
 Hydraulic tank 64 ltr **17 U.S. gal**
 Final drive (each side)..... 3.5 ltr **0.9 U.S. gal**
 Diesel Exhaust Fluid (DEF) tank 10 ltr **2.6 U.S. gal**



OPERATING WEIGHT (APPROXIMATE)

Tractor weight:

Including ROPS cab, U frame for power angle tilt dozer, rated capacity of lubricant, coolant, full fuel tank, operator, and standard equipment.

D37EX-24 7940 kg **17,505 lb**

D37PX-248170 kg **18,012 lb**

Operating weight:

Including Power Angle Tilt dozer, ROPS cab, operator, standard equipment, rated capacity of lubricant, hydraulic control unit, coolant, and full fuel tank.

D37EX-249000 kg **19,842 lb**

D37PX-249300 kg **20,503 lb**

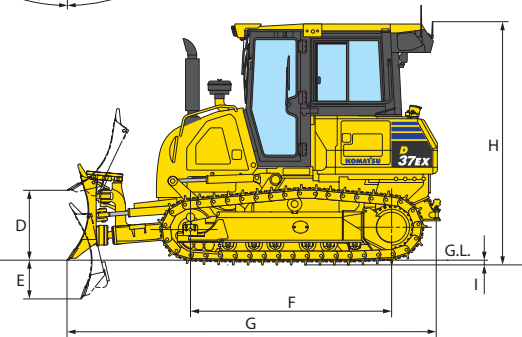
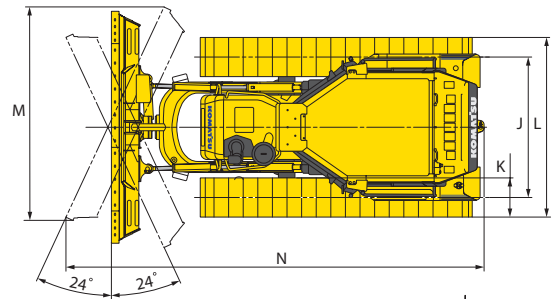
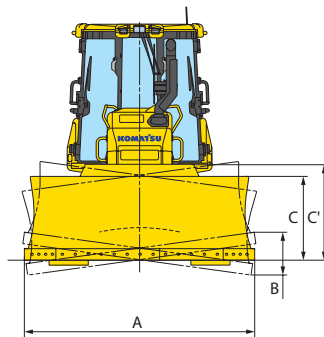
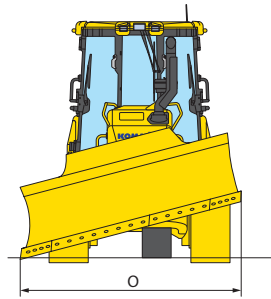
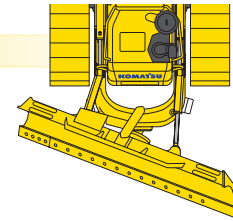
D37EX/PX-24



DIMENSIONS

	D37EX-24		D37PX-24	
A	2710 mm	8'11"	3250 mm	10'8"
B	370 mm	1'3"	435 mm	1'4"
C	865 mm	2'10"	835 mm	2'7"
C'	1075 mm	3'6"	1075 mm	3'6"
D	800 mm	2'6"	800 mm	2'6"
E	380 mm	1'3"	380 mm	1'3"
F	2230 mm	7'4"	2230 mm	7'4"
G	4275 mm	14'	4275 mm	14'
H	2785 mm	9'1"	2785 mm	9'1"
I	47 mm	1.9"	47 mm	1.9"
J	1570 mm	5'2"	1710 mm	5'6"
K	460 mm	1'6"	600 mm	2'
L	1970 mm	6'5"	2310 mm	7'6"
M	2510 mm	8'3"	2960 mm	9'7"
N	4780 mm	15'8"	4980 mm	16'
O	2480 mm	8'2"	2905 mm	9'6"

Ground clearance 325 mm **13"**



HYDRAULIC SYSTEM

Closed-Center Load Sensing System (CLSS) designed for precise and responsive control, and for efficient simultaneous operation.

Hydraulic control unit:

All spool control valves externally mounted remote to the hydraulic tank. Piston-type hydraulic pump with capacity (discharge flow) of 99 ltr/min **26.2 U.S. gal/min** at rated engine rpm.

Relief valve setting 27.4 MPa 280 kg/cm² **3,974 psi**

Hydraulic cylinders..... Double-acting, piston type

Hydraulic oil capacity (refill):

Power angle tilt dozer 64 ltr **17 U.S. gal**

Control valves:

3-spool control valve for Power Angle Tilt dozer

Positions:

Blade lift Raise, hold, lower, and float

Blade tilt Right, hold, and left

Blade angle Right, hold, and left

Additional control valve required for ripper

Positions:

Ripper lift.....Raise, hold, and lower

	Number of cylinders	Bore
Blade lift	2	75 mm 3"
Blade tilt	1	90 mm 3.5"
Blade angle	2	80 mm 3.2"



DOZER EQUIPMENT

	Overall Length With Dozer* mm ft.in	Blade Capacity m ³ yd ³	Blade Width x Height mm ft.in	Max. Lift Above Ground mm ft.in	Max. Drop Below Ground mm ft.in	Max. Tilt Adjustment mm ft.in	Blade Angle
D37EX-24	4275 mm	1.91 m ³	2710 mm x 865 mm	800 mm	380 mm	370 mm	24°
Standard Blade	14'	2.50 yd³	8'11" x 2'10"	2'6"	1'3"	1'2"	24°
D37PX-24	4275 mm	2.13 m ³	3200 mm x 835 mm	800 mm	380 mm	435 mm	24°
Standard Blade	14'	2.79 yd³	10'5" x 2'9"	2'6"	1'3"	1'5"	24°
D37PX-24	4275 mm	1.95 m ³	2875 mm x 835 mm	800 mm	380 mm	390 mm	24°
Narrow Blade	14'	2.55 yd³	9'5" x 2'9"	2'6"	1'3"	1'3"	24°

Blade capacities are based on the SAE recommended practice J1265. Use of high-tensile-strength steel in moldboard for strengthened blade construction.

* Including hitch