



## ENGINE

Model	Case Family IV 445TA/EG7a diesel
Emissions Certification	Tier 3 Certified
Cylinders	4
Displacement	274 in <sup>3</sup> (4.5 L)
Fuel injection	Common rail
Fuel	#2 Diesel
Fuel filter	Spin-on w/ in-line strainer
Air intake	Cross-flow
Cooling	Liquid
Engine speeds	RPM
High idle - no load	2160 +/- 50
Rated - full load	2000
Low idle	850 +/- 950
Horsepower @ 2000 RPM – SAE J1349:	
Net	74 hp (55 kW)
Gross	80.5 hp (60 kW)
Engine lubrication:	
Pump	Deep sump plate cooler w/ pressurized under-piston nozzles
Pump operating angle ratings:	
Side-to-side	45°
Fore and aft	45°
Oil filtration	Replaceable, spin-on full-flow cartridge
Radiator:	
Core size area	357.5 m <sup>2</sup> (2 306 cm <sup>2</sup> )
Rows of tubes	1
Fan:	
Diameter	20 in (500 mm)
Ratio	1.1:1

## DRIVETRAIN

Dual path hydrostatic:	
Pump	Variable axial piston
Motor	Variable bent axis piston
Max. drawbar pull*	36,000 lb (160.5 kN)
Transmission	Single lever control – electronic straight tracking
Transmission oil filter	4 micron, spin-on replaceable
Travel speeds*:	
Forward	5.5 mph (9 kph)
Reverse	5.5 mph (9 kph)
Parking brakes	Heavy-duty, spring-applied, hydraulic pressure release
Steering brakes	Hydrostatic
Final drive	2 helical gear reduction to planetary output
Ratio	61:1
Transmission cooling:	
Type	Oil to air
Core size	225.7 in <sup>2</sup> (0.1456 m <sup>2</sup> )

NOTE: \*Measured using standard track chain. Increase travel speeds by 4% and reduce drawbar pull by 4% with the optional CELT track chain.

## ELECTRICAL

Alternator	90 amp
Battery	12-volt low-maintenance 700 cold-cranking amps @ 0° F (-18 C)
Electrical system	12 Volts

## OPERATOR ENVIRONMENT

Optional ROPS cab; Single lever control for speed, steering and direction; Forward/reverse speed ratio selector; Adjustable armrests; Foot rests; Retractable seat belt, 2 in (51 mm); Vinyl suspension seat w/ back adjustment; Rear view mirror.

Warning lights:  
Air filter; Alternator; Engine oil pressure; Hi range; Hydraulic filter; Transmission filter; Transmission pressure.

Gauges:  
Battery voltage; Fuel level; Hour meter; Tachometer; Transmission oil temperature; Water temperature.

Audible warnings:  
Engine oil pressure; Transmission pressure.

## OPERATING WEIGHT

Unit equipped w/ ROPS, full fuel tank, 170 lb (77 kg) operator, track guides, backup alarm, horn and lights.

Long track	16,250 lb (7 370 kg)
Wide track	16,800 lb (7 619 kg)
Low ground pressure	17,550 lb (7 959 kg)

Add-on weights:

Drawbar	146 lb (66 kg)
Ripper – 3 shank	1,349 lb (612 kg)
Winch	1,000 lb (454 kg)
Front counterweight	752 lb (341 kg)
Cab	1,588 lb (720 kg)
CELT chain	115 lb (52 kg)
Center rockguard	154 lb (70 kg)
Sweeps	110 lb (50 kg)
Dual batteries	64 lb (29 kg)
90 in blade	917 lb (416 kg)
96 in blade	968 lb (439 kg)
109 in blade	1,091 lb (495 kg)
120 in blade	1,191 lb (540 kg)
CLT w/ 16 in closed shoe	2,880 lb (1 306 kg)
CELT w/ 16 in open shoe	2,825 lb (1 281 kg)
CLT w/ 20 in closed shoe	3,259 lb (1 478 kg)
CELT w/ 20 in open shoe	3,204 lb (1 453 kg)
CLT w/ 27 in closed shoe	3,916 lb (1 776 kg)
CELT w/ 27 in open shoe	3,861 lb (1 751 kg)

## HYDRAULICS

Pump flow @ 2000 RPM @ 3,000 psi  
(20 684 kPa) 20.3 gpm (78.8 L/min)

Lift cylinder	Two (2)
Bore diameter	3.50 in (89 mm)
Rod diameter	1.75 in (44.5 mm)
Stroke	15.5 in (394 mm)

Angle cylinder	Two (2)
Bore diameter	3.50 in (89 mm)
Rod diameter	1.75 in (44.5 mm)
Stroke	13.5 in (342 mm)

Tilt cylinder	One (1)
Bore diameter	3.50 in (89 mm)
Rod diameter	1.75 in (44.5 mm)
Stroke	5.4 in (137 mm)

## SERVICE CAPACITIES

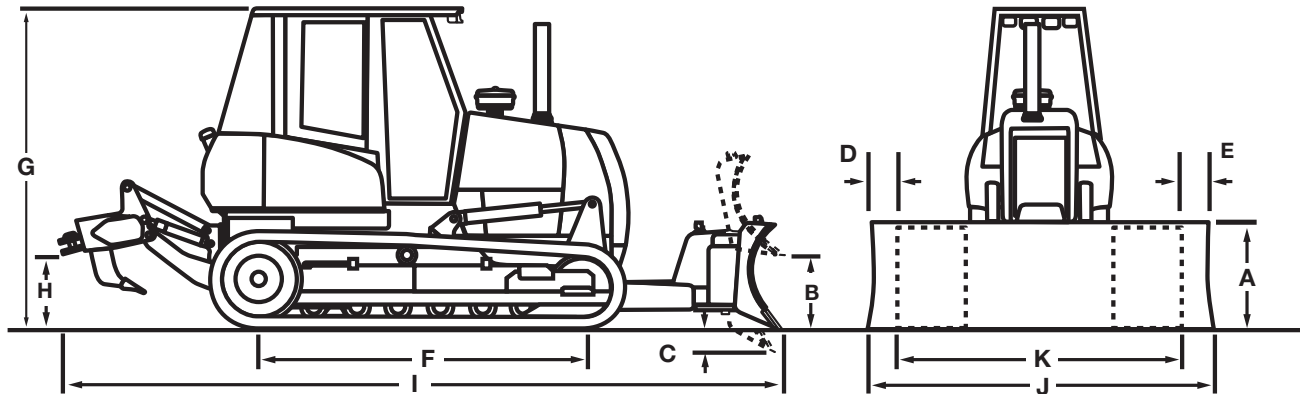
Fuel tank	41 gal (155 L)
Engine oil w/ filter	13 qt (12.3 L)
Engine oil w/o filter	12.2 qt (11.5 L)
Engine cooling system	22.6 qt (21.4 L)
Hydraulic reservoir	16.5 gal (72.7 L)
Final drive – per side	15 qt (14.2 L)
Track rollers – each	0.19 qt (0.18 L)
Front idlers – each	0.42 qt (0.40 L)
Carrier rollers – each	0.25 qt (0.24 L)

## OTHER SPECIFICATIONS

Undercarriage:	
Track adjustment	Hydraulic
Frame	Rigid suspension
Length of track on ground:	
	84 in (2 141 mm)
Track link pitch	6.29 in (160 mm)
Track shoe height	2.06 in (52 mm)
Pin diameter	1.13 in (29 mm)
Bushing diameter:	
CLT track	2.125 in (54 mm)
CELT track	2.75 in (70 mm)
Bolt diameter	0.625 in (16 mm)
Track shoes per side	39
Track rollers per side	6
Carrier rollers per side	1
Track roller rail diameter	6.1 in (155 mm)

Track on ground:	
Shoe area:	
16 in (406 mm)	2,630 in <sup>2</sup> (16 968 cm <sup>2</sup> )
20 in (508 mm)	3,372 in <sup>2</sup> (21 755 cm <sup>2</sup> )
27 in (686 mm)	4,552 in <sup>2</sup> (29 368 cm <sup>2</sup> )
Track:	
Long Track:	
16 in (406 mm) closed grousers and CLT	
16 in (406 mm) open grousers and CELT	
Wide Track:	
16 in (406 mm) closed grousers and CLT	
16 in (406 mm) open grousers and CELT	
20 in (508 mm) closed grousers and CLT	
20 in (508 mm) open grousers and CELT	
LGP:	
27 in (686 mm) closed grousers and CLT	
27 in (686 mm) open grousers and CELT	

Blade:	
Variable blade pitch	52° – 60°
Lift speed – per second	19.7 in (500 mm)
Cutting edge	Reversible, replaceable
Width	8.0 in (203 mm)
Thickness	0.625 in (16 mm)
Ripper:	
Max. penetration	8.7 in (221 mm)
Width	72.4 in (1 839 mm)
Cut width	70.1 in (1 780 mm)
Max. ground clearance	15.5 in (393 mm)
Points	Replaceable
Max. number of shanks	3
Tooth spacing:	
w/ 3 teeth	31 in (785 mm)
Hydraulic cylinder	
Diameter	3.2 in (82 mm)
Stroke	8.4 in (213 mm)
Rod	1.75 in (44.5 mm)



Line drawings are for illustrative purpose only and may not be exact representation of unit.

## DIMENSIONS

	Long Track (LT)	Long Track (LT, WT)	Wide Track (WT)	Low Ground Pressure (LGP)
Blade width	90 in (2 286 mm)	96 in (2 438 mm)	109 in (2 769 mm)	120 in (3 048 mm)
SAE blade capacity	1.58 yd <sup>3</sup> (1.21 m <sup>3</sup> )	1.69 yd <sup>3</sup> (1.29 m <sup>3</sup> )	2 yd <sup>3</sup> (1.53 m <sup>3</sup> )	2.15 yd <sup>3</sup> (1.64 m <sup>3</sup> )
<b>A.</b> Blade height	33.1 in (841 mm)	33.1 in (841 mm)	33.1 in (841 mm)	33.1 in (841 mm)
<b>B.</b> Blade lift above ground	33.6 in (853 mm)	33.6 in (853 mm)	33.6 in (853 mm)	33.6 in (853 mm)
<b>C.</b> Blade depth below ground	20.9 in (531 mm)	20.9 in (531 mm)	20.9 in (531 mm)	20.9 in (531 mm)
Blade angle both directions	25°	25°	25°	25°
<b>D.</b> Cast reach	11.2 in (284 mm)	13.9 in (353 mm)	12.0 in (305 mm)	13.3 in (338 mm)
<b>E.</b> Cut reach	-1.6 in (-41 mm)	1.1 in (28 mm)	-0.9 in (-22 mm)	0.5 in (13 mm)
Blade tilt, each end – up to 9°	14.2 in (361 mm)	15.2 in (386 mm)	17.8 in (452 mm)	19.0 in (482 mm)
Track gauge	56 in (1.42 m)	56 in (1.42 m)	68 in (1.73 m)	68 in (1.73 m)
Maximum shoe width	16 in (406 mm)	16 in (406 mm)	20 in (508 mm)	27 in (686 mm)
<b>F.</b> Length of track on ground:				
CELT	84 in (2.12 m)	84 in (2.12 m)	84 in (2.12 m)	84 in (2.12 m)
Area of track on ground	2,630 in <sup>2</sup> (1.70 m <sup>2</sup> )	2,630 in <sup>2</sup> (1.70 m <sup>2</sup> )	3,372 in <sup>2</sup> (2.18 m <sup>2</sup> )	4,552 in <sup>2</sup> (2.94 m <sup>2</sup> )
Ground pressure	6.2 psi (42.6 kPa)	6.2 psi (42.6 kPa)	5.0 psi (34.4 kPa)	3.9 psi (26.6 kPa)
<b>G.</b> Height to top of ROPS	8 ft 7 in (2 639 mm)	8 ft 7 in (2 639 mm)	8 ft 7 in (2 639 mm)	8 ft 7 in (2 639 mm)
Height to top of cab with air conditioning	8 ft 8 in (2 642 mm)	8 ft 8 in (2 642 mm)	8 ft 8 in (2 642 mm)	8 ft 8 in (2 642 mm)
<b>H.</b> Ground clearance	14.4 in (366 mm)	14.4 in (366 mm)	14.4 in (366 mm)	14.4 in (366 mm)
Length:				
Blade straight with drawbar	13 ft 7 in (4 149 mm)	13 ft 7 in (4 149 mm)	13 ft 7 in (4 149 mm)	13 ft 7 in (4 149 mm)
<b>I.</b> Blade straight with ripper	16 ft 3 in (4 973 mm)	16 ft 3 in (4 973 mm)	16 ft 3 in (4 973 mm)	16 ft 3 in (4 973 mm)
Width:				
<b>J.</b> Blade straight	7 ft 6 in (2 286 mm)	8 ft 0 in (2 438 mm)	9 ft 1 in (2 845 mm)	10 ft 0 in (3 048 mm)
Blade angled	6 ft 11 in (2 126 mm)	7 ft 5 in (2 265 mm)	8 ft 7 in (2 634 mm)	9 ft 2 in (2 819 mm)
<b>K.</b> Over track	6 ft 0 in (1 828 mm)	6 ft 0 in (1 828 mm)	7 ft 4 in (2 235 mm)	7 ft 11 in (2 413 mm)

## STANDARD EQUIPMENT

### OPERATOR ENVIRONMENT

See page 1

### ENGINE

Case Family IV 445TA/EG7a diesel  
Tier 3 Certified  
Automatic fan belt tensioner  
Integral engine oil cooling  
Fuel filter  
Dual element radial seal air cleaner  
90 amp alternator  
700 CCA 12-volt battery  
Engine side panel  
Anti-freeze to -34°F  
Pusher fan

### DRIVETRAIN

Dual path infinitely variable, single-lever controlled hydrostatic drive with electronic straight tracking & counter-rotation, 4-position forward/reverse ratio control  
Final drive:  
Triple reduction; helical gear/planetary decelerator with hydrostatic drive retardation  
Automatic spring-applied parking brake  
10 incremental speed settings - Operator preference settings for max speed, shuttle sensitivity and steering sensitivity

### BLADE

52° – 60° variable pitch  
Single lever control for blade lift, angle and tilt  
90 in (2.29 m) blade 650L LT  
96 in (2.44 m) blade 650L LT/WT  
109 in (2.8 m) blade 650L WT  
120 in (3.0 m) blade 650L LGP

### UNDERCARRIAGE

Hydraulic track adjusters  
Easy clean track covers  
Case lubricated track chain  
Permanently lubricated track and carrier rollers  
Track adjuster guard  
Track guides – front and rear

### OTHER

Anti-vandalism package  
Backup alarm  
Decelerator  
Final drive seal guard  
Hand throttle  
Horn  
Work lights:  
2 front  
1 rear  
Master disconnect switch  
Mirror  
Operator's manual enclosure  
O-ring face seal hydraulic fittings  
Pre-cleaner  
Vertical spin-on hydraulic/filters  
Hydraulics – 3 spool valve

### TELEMATICS

CASE SiteWatch™ Telematics – includes hardware and a 3-yr Advanced data subscription

## OPTIONAL EQUIPMENT

### OPERATOR ENVIRONMENT

Cab with heater, 22,700 BTU (6.65 kW)/hr air conditioner, defroster, front windshield washer and 2F-1R lights  
3 in (76 mm) seat belt  
Deluxe air suspension seat

### HYDRAULICS

4 spool hydraulic valve for field-installed ripper

### REAR MOUNTED EQUIPMENT

Ripper, parallelogram 5 slots with 3 shanks

### BLADES

90 in (2.29 m)  
96 in (2.44 m)  
109 in (2.77 m)  
120 in (3.05 m)

### GUARDS

Brush guards (Sweeps)  
Center rockguard

### SCREENS

Rear ROPS and cab  
Side ROPS  
Radiator brush screen

### OTHER

Case extended life track  
Cold start aid (Grid Heater)  
Counterweight, front  
Drawbar  
Front pull hook  
Lights – halogen, 2 front, 1 rear for cab or ROPS  
Retrieval hitch  
Special paint  
Turbo precleaner  
Winch drive PTO  
Rear Wiper for cab  
Lights without brush guard  
Lights with brush guard  
Diagnostics check fittings  
Environmental drains  
Lift/Tow decals (Export)

## CaseCE.com

©2016 CNH Industrial America LLC. All rights reserved. CASE is a trademark registered in the United States and many other countries, owned by or licensed to CNH Industrial N.V., its subsidiaries or affiliates. CNH Industrial Capital is a trademark in the United States and many other countries, owned by or licensed to CNH Industrial N.V., its subsidiaries or affiliates. Printed in U.S.A. Contains 10% post-consumer fiber.

IMPORTANT: CASE Construction Equipment Inc. reserves the right to change these specifications without notice and without incurring any obligation relating to such change. Availability of some models and equipment builds vary according to the country in which the equipment is used. The illustrations and text may include optional equipment and accessories and may not include all standard equipment. Your CASE dealer/distributor will be able to give you details of the products and their specifications available in your area.



CASE Construction Equipment is biodiesel-friendly. NOTE: All engines meet current EPA emissions regulations. All specifications are stated in accordance with SAE Standards or Recommended Practices, where applicable.



Always read the Operator's Manual before operating any equipment. Inspect equipment before using it, and be sure it is operating properly. Follow the product safety signs and use any safety features provided.

Form No. CCE201609650L  
Replaces Form No. CCE201512650L