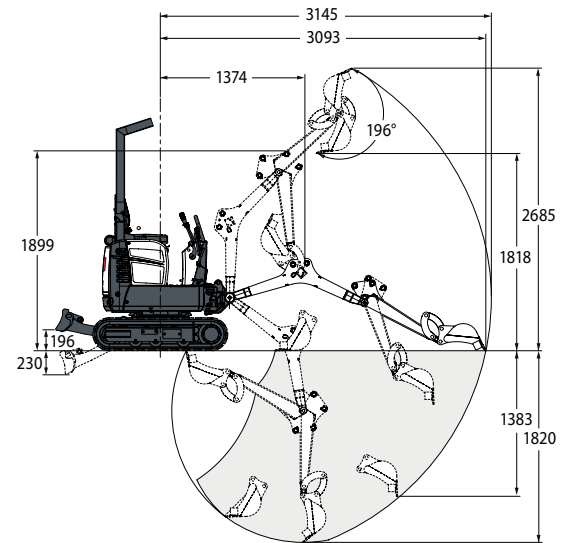


# E08 E10 — SPECIFICATIONS

	E08	E10
<b>WEIGHTS</b>		
Operating weight with TOPS canopy, rubber tracks	1138 kg	1176 kg
<b>ENGINE</b>		
Make / model	Kubota / D722-E2B-BCZ-6	
Fuel / Cooling	Diesel / Liquid	
Number of cylinders	3	
Displacement	0.72 l	
Power at 2000 RPM (ISO 14396)	7.5 kW	
Torque at 1600 RPM (ISO 9249)	39.1 Nm	
<b>CONTROLS</b>		
Steering	Direction and speed controlled by two hand levers	
Hydraulics	Two levers control boom, bucket, dipperstick and upper structure slew	Two joysticks control boom, bucket, dipperstick and upper structure slew
<b>HYDRAULIC SYSTEM</b>		
Pump type	Double gear pump	
Pump capacity	20 l/min @ 2000 RPM	
Auxiliary flow	20 l/min	
System relief pressure	185 bar	190 bar
Control valve	Nine-spool parallel type, open centre	
<b>PERFORMANCE</b>		
Digging force, dipperstick (ISO 6015)	5550 N	
Digging force, bucket (ISO 6015)	8294 N	
Drawbar pull	9905 N	
Ground pressure	28.8 kPa	
Travel speed (low range)	2.1 km/h	
Travel speed (high range)	— km/h	2.8 km/h
<b>SLEW SYSTEM</b>		
Boom swing, left	67°	
Boom swing, right	64°	
Slew rate	9 RPM	
<b>BRAKES</b>		
Travel brake	Hydraulic lock in motor circuit	
Slew brake	Hydraulic lock on motor and pin lock	
<b>FLUID CAPACITIES</b>		
Cooling system	3 l	
Engine lubrication plus oil filter	3.5 l	
Fuel reservoir	16 l	
Hydraulic reservoir	2.6 l	
Hydraulic system	9.4 l	
<b>ENVIRONMENTAL</b>		
Noise level LpA (EU Directive 2006/42/EC)	82 dB(A)	
Noise level LWA (EU Directive 2000/14/EC)	93 dB(A)	
Whole body vibration (ISO 2631-1)	0.72 ms <sup>-2</sup>	0.68 ms <sup>-2</sup>
uncertainty	0.36 ms <sup>-2</sup>	0.34 ms <sup>-2</sup>
Hand-arm vibration (ISO 5349-1)	1.19 ms <sup>-2</sup>	0.7 ms <sup>-2</sup>
<b>STANDARD FEATURES</b>		
710 mm dozer blade / 1000 (1100)mm extended	Retractable seat belt	
180 mm rubber track	Seat	
Auxiliary hydraulics (E08) with QC (E10)	TOPS canopy *	
Control console locks	Two-speed travel (E10)	
Electronically activated track expansion (E10)	Vandalism protection	
Horn	Work light	
Hydraulic joystick controls (E10)	Warranty: 12 months, 2000 hours (whichever occurs first)	
Hydraulically expandable undercarriage from 710 to 1000 (1100) mm		
* Tip Over Protective Structure (TOPS) – Meets requirements of ISO 12117		
<b>OPTIONS</b>		
Auxiliary hydraulic line on arm	Heavy Duty Travel Hose Guard	Spark Arrestor Muffler
Beacon	Keyless Ignition	Water Separator
Demolition Kit	Motion Alarm	
Double acting auxiliary hydraulics	Object Handling Device	

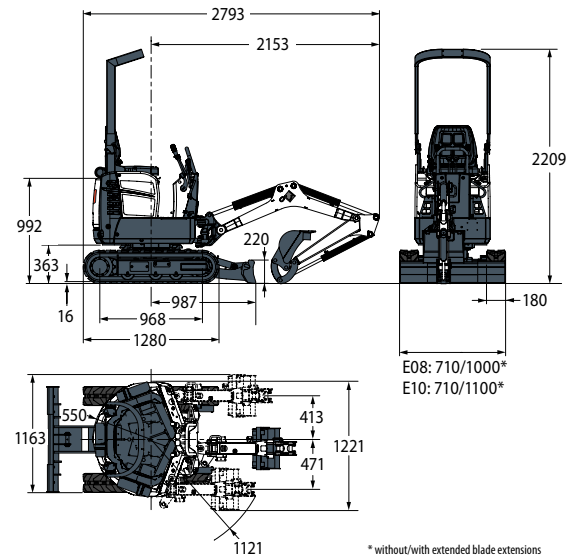
## WORKING RANGE - E08 E10

All dimensions in mm.

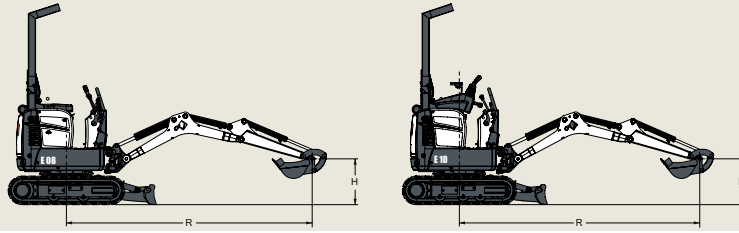


## DIMENSIONS - E08 E10

All dimensions in mm.



# E08 E10 — LIFTING CAPACITIES



RATED LIFT CAPACITY - OVER BLADE BLADE DOWN				RATED LIFT CAPACITY - OVER BLADE BLADE UP			RATED LIFT CAPACITY - OVER SIDE BLADE UP, TRACKS EXTENDED		
<b>E08 - STANDARD DIPPERSTICK, STANDARD COUNTERWEIGHT</b>									
Lift Point Height [H]	Lift at 2000 mm radius [R]	Max. radius [R] (mm)	Lift at max. radius (kg)	Lift at 2000 mm radius [R]	Max. radius [R] (mm)	Lift at max. radius (kg)	Lift at 2000 mm radius [R]	Max. radius [R] (mm)	Lift at max. radius (kg)
2000 mm	319 *	2030	319 *	206	2030	192	177	2030	176
1000 mm	345 *	2620	275 *	197	2620	121	165	2620	107
Ground	404 *	2640	239 *	174	2640	116	153	2640	100
-1000 mm	214 *	2030	210 *	171	2030	171	147	2030	145

RATED LIFT CAPACITY - OVER BLADE BLADE DOWN				RATED LIFT CAPACITY - OVER BLADE BLADE UP			RATED LIFT CAPACITY - OVER SIDE BLADE UP, TRACKS EXTENDED		
<b>E10 - STANDARD DIPPERSTICK, STANDARD COUNTERWEIGHT</b>									
Lift Point Height [H]	Lift at 2000 mm radius [R]	Max. radius [R] (mm)	Lift at max. radius (kg)	Lift at 2000 mm radius [R]	Max. radius [R] (mm)	Lift at max. radius (kg)	Lift at 2000 mm radius [R]	Max. radius [R] (mm)	Lift at max. radius (kg)
2000 mm	319 *	2030	319 *	206	2030	192	211	2030	200
1000 mm	345 *	2620	275 *	197	2620	121	204	2620	129
Ground	404 *	2640	239 *	174	2640	116	181	2640	119
-1000 mm	214 *	2030	210 *	171	2030	171	184	2030	174

\* Rated hydraulic lift capacity with standard 400 mm bucket (18.9 kg)  
The lifting capacities are based on ISO 10567 and do not exceed 75 % of the static tilt load of the machine or 87 % of the hydraulic lifting capacity of the machine.



**Bobcat is a Doosan Company.**  
Doosan is a global leader in construction equipment, power & water solutions, engines, and engineering proudly serving customers and communities for more than a century. | Bobcat and the Bobcat logo are registered trademarks of Bobcat Company in the United States and various other countries.  
©2016 Bobcat Company. All Rights Reserved.



# Bobcat®

[www.bobcat.com](http://www.bobcat.com)

