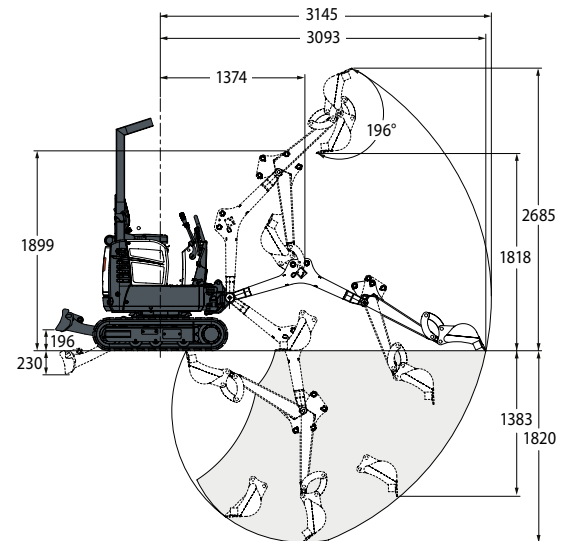


E08 E10 — SPECIFICATIONS

	E08	E10
WEIGHTS		
Operating weight with TOPS canopy, rubber tracks	1138 kg	1176 kg
ENGINE		
Make / model	Kubota / D722-E2B-BCZ-6	
Fuel / Cooling	Diesel / Liquid	
Number of cylinders	3	
Displacement	0.72 l	
Power at 2000 RPM (ISO 14396)	7.5 kW	
Torque at 1600 RPM (ISO 9249)	39.1 Nm	
CONTROLS		
Steering	Direction and speed controlled by two hand levers	
Hydraulics	Two levers control boom, bucket, dipperstick and upper structure slew	Two joysticks control boom, bucket, dipperstick and upper structure slew
HYDRAULIC SYSTEM		
Pump type	Double gear pump	
Pump capacity	20 l/min @ 2000 RPM	
Auxiliary flow	20 l/min	
System relief pressure	185 bar	190 bar
Control valve	Nine-spool parallel type, open centre	
PERFORMANCE		
Digging force, dipperstick (ISO 6015)	5550 N	
Digging force, bucket (ISO 6015)	8294 N	
Drawbar pull	9905 N	
Ground pressure	28.8 kPa	
Travel speed (low range)	2.1 km/h	
Travel speed (high range)	— km/h	2.8 km/h
SLEW SYSTEM		
Boom swing, left	67°	
Boom swing, right	64°	
Slew rate	9 RPM	
BRAKES		
Travel brake	Hydraulic lock in motor circuit	
Slew brake	Hydraulic lock on motor and pin lock	
FLUID CAPACITIES		
Cooling system	3 l	
Engine lubrication plus oil filter	3.5 l	
Fuel reservoir	16 l	
Hydraulic reservoir	2.6 l	
Hydraulic system	9.4 l	
ENVIRONMENTAL		
Noise level LpA (EU Directive 2006/42/EC)	82 dB(A)	
Noise level LWA (EU Directive 2000/14/EC)	93 dB(A)	
Whole body vibration (ISO 2631-1)	0.72 ms ⁻²	0.68 ms ⁻²
uncertainty	0.36 ms ⁻²	0.34 ms ⁻²
Hand-arm vibration (ISO 5349-1)	1.19 ms ⁻²	0.7 ms ⁻²
STANDARD FEATURES		
710 mm dozer blade / 1000 (1100)mm extended	Retractable seat belt	
180 mm rubber track	Seat	
Auxiliary hydraulics (E08) with QC (E10)	TOPS canopy *	
Control console locks	Two-speed travel (E10)	
Electronically activated track expansion (E10)	Vandalism protection	
Horn	Work light	
Hydraulic joystick controls (E10)	Warranty: 12 months, 2000 hours (whichever occurs first)	
Hydraulically expandable undercarriage from 710 to 1000 (1100) mm		
* Tip Over Protective Structure (TOPS) – Meets requirements of ISO 12117		
OPTIONS		
Auxiliary hydraulic line on arm	Heavy Duty Travel Hose Guard	Spark Arrestor Muffler
Beacon	Keyless Ignition	Water Separator
Demolition Kit	Motion Alarm	
Double acting auxiliary hydraulics	Object Handling Device	

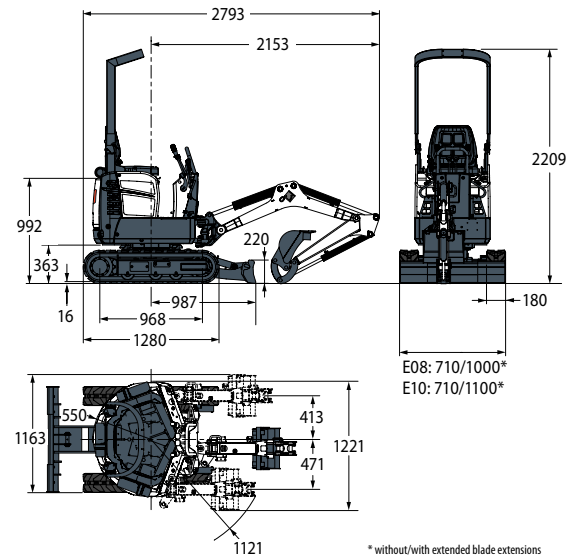
WORKING RANGE - E08 E10

All dimensions in mm.

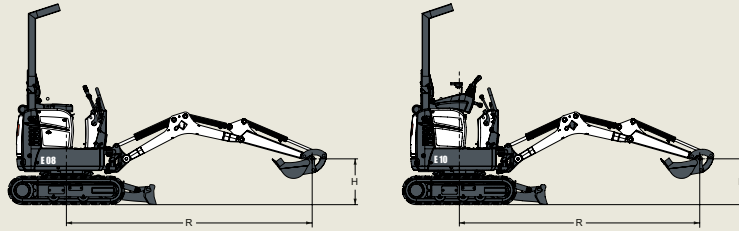


DIMENSIONS - E08 E10

All dimensions in mm.



E08 E10 — LIFTING CAPACITIES



RATED LIFT CAPACITY - OVER BLADE BLADE DOWN				RATED LIFT CAPACITY - OVER BLADE BLADE UP			RATED LIFT CAPACITY - OVER SIDE BLADE UP, TRACKS EXTENDED		
E08 - STANDARD DIPPERSTICK, STANDARD COUNTERWEIGHT									
Lift Point Height [H]	Lift at 2000 mm radius [R]	Max. radius [R] (mm)	Lift at max. radius (kg)	Lift at 2000 mm radius [R]	Max. radius [R] (mm)	Lift at max. radius (kg)	Lift at 2000 mm radius [R]	Max. radius [R] (mm)	Lift at max. radius (kg)
2000 mm	319 *	2030	319 *	206	2030	192	177	2030	176
1000 mm	345 *	2620	275 *	197	2620	121	165	2620	107
Ground	404 *	2640	239 *	174	2640	116	153	2640	100
-1000 mm	214 *	2030	210 *	171	2030	171	147	2030	145

RATED LIFT CAPACITY - OVER BLADE BLADE DOWN				RATED LIFT CAPACITY - OVER BLADE BLADE UP			RATED LIFT CAPACITY - OVER SIDE BLADE UP, TRACKS EXTENDED		
E10 - STANDARD DIPPERSTICK, STANDARD COUNTERWEIGHT									
Lift Point Height [H]	Lift at 2000 mm radius [R]	Max. radius [R] (mm)	Lift at max. radius (kg)	Lift at 2000 mm radius [R]	Max. radius [R] (mm)	Lift at max. radius (kg)	Lift at 2000 mm radius [R]	Max. radius [R] (mm)	Lift at max. radius (kg)
2000 mm	319 *	2030	319 *	206	2030	192	211	2030	200
1000 mm	345 *	2620	275 *	197	2620	121	204	2620	129
Ground	404 *	2640	239 *	174	2640	116	181	2640	119
-1000 mm	214 *	2030	210 *	171	2030	171	184	2030	174

* Rated hydraulic lift capacity with standard 400 mm bucket (18.9 kg)
The lifting capacities are based on ISO 10567 and do not exceed 75 % of the static tilt load of the machine or 87 % of the hydraulic lifting capacity of the machine.



Bobcat is a Doosan Company.
Doosan is a global leader in construction equipment, power & water solutions, engines, and engineering proudly serving customers and communities for more than a century. | Bobcat and the Bobcat logo are registered trademarks of Bobcat Company in the United States and various other countries.
©2016 Bobcat Company. All Rights Reserved.



Bobcat®

www.bobcat.com

