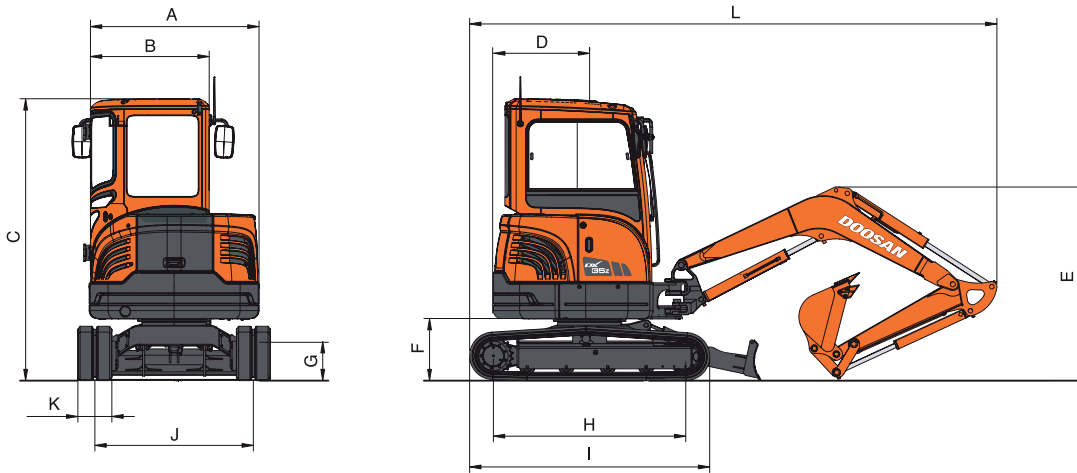


Dimensions and working ranges



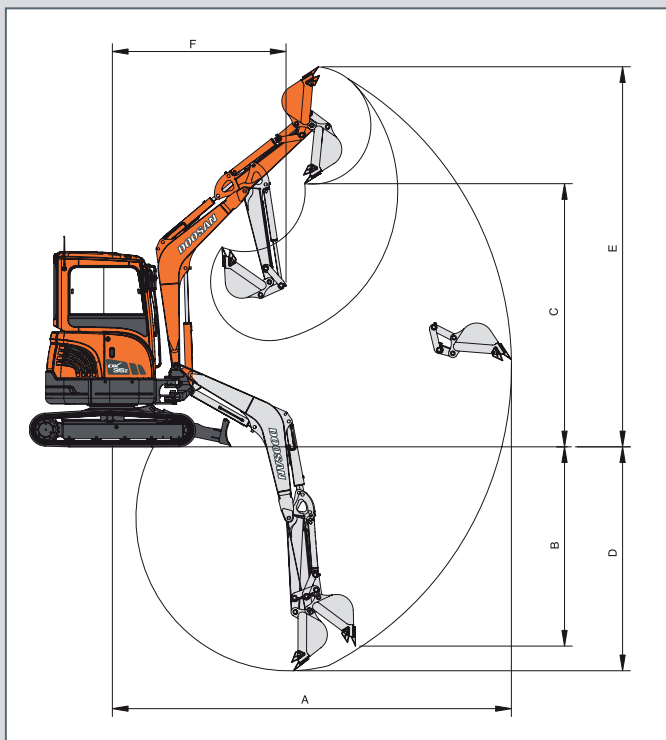
* Dimensions

Boom	2.405 mm
Arm	1.200 mm
A Overall width of upper structure	1.500 mm
B Overall width of cabin	1.030 mm
C Overall height of cabin	2.515 mm
D Tail swing radius	850 mm
E Boom transport height	1.720 mm
F Clearance under counterweight	575 mm
G Ground clearance	310 mm
H Tumbler distance	1.700 mm
I Track length	2.123 mm
J Track gauge	1.400 mm
K Track shoe width	300 mm
L Overall length	4.645 mm

* Digging force (ISO)

Bucket (PCSA)	0,11 m³	
Digging force	3.000 kgf	
Arm	1.200 mm	1.330 mm
Digging force	2.100 kgf	1.900 kgf

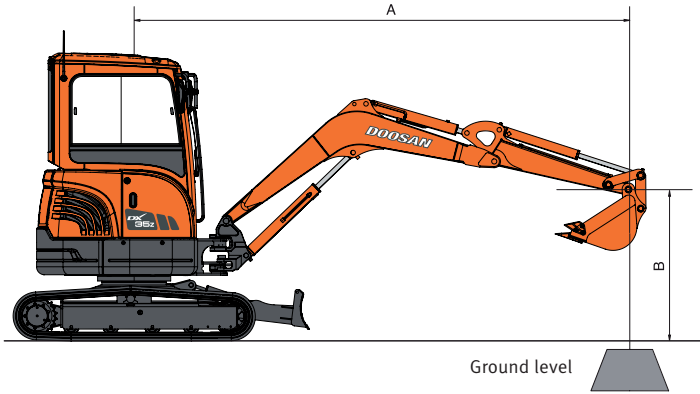
At power boost (ISO)



* Working range

Boom	2.405 mm	
Arm	1.200 mm	1.330 mm
Bucket type (SAE)	0,11 m³	0,11 m³
A Max. digging reach	5.090 mm	5.200 mm
B Max. vertical wall depth	2.560 mm	2.630 mm
C Max. loading height	3.350 mm	3.410 mm
D Max. digging depth	3.025 mm	3.155 mm
E Max. digging height	4.840 mm	4.880 mm
F Min. swing radius	2.210 mm	2.060 mm

Lifting capacity



**DX
35z**

DOZER UP — Boom: 2.405 mm - Arm: 1.200 mm - Bucket: SAE 0,11 m³ (CECE 0,094 m³) - Shoe: 300 mm

Units: 1.000 kg

A (m) \ B (m)	2		3		4		Max. reach		A(m)
4							*0.77	*0.77	2.76
3			*0.67	*0.67			0.48	0.47	3.76
2			0.70	0.69	0.43	0.42	0.39	0.38	4.21
1			0.67	0.65	0.42	0.41	0.36	0.36	4.34
o (ground)	1.23	1.18	0.64	0.63	0.41	0.40	0.38	0.38	4.18
-1	1.25	1.20	0.64	0.63			0.47	0.46	3.68
-2	1.30	1.25					*0.84	0.83	2.59

DOZER UP — Boom: 2.405 mm - Arm: 1.330 mm - Bucket: SAE 0,11 m³ (CECE 0,094 m³) - Shoe: 300 mm

Units: 1.000 kg

A (m) \ B (m)	2		3		4		Max. reach		A(m)
4							*0.71	*0.71	2.95
3							0.46	0.45	3.89
2			0.71	0.69	0.43	0.42	0.37	0.36	4.33
1			0.67	0.65	0.42	0.40	0.35	0.34	4.45
o (ground)	1.22	1.18	0.64	0.62	0.41	0.40	0.36	0.36	4.30
-1	1.24	1.19	0.64	0.62			0.44	0.43	3.82
-2	1.28	1.24					0.74	0.73	2.80

DOZER DOWN — Boom: 2.405 mm - Arm: 1.200 mm - Bucket: SAE 0,11 m³ (CECE 0,094 m³) - Shoe: 300 mm

Units: 1.000 kg

A (m) \ B (m)	2		3		4		Max. reach		A(m)
4							*0.77	*0.77	2.76
3			*0.67	*0.67			*0.73	0.47	3.76
2			*0.88	0.69	*0.75	0.41	*0.74	0.38	4.21
1			*1.18	0.65	*0.84	0.40	*0.78	0.36	4.34
o (ground)	*1.29	1.18	*1.34	0.63	*0.89	0.39	*0.82	0.38	4.18
-1	*2.17	1.20	*1.26	0.63			*0.87	0.46	3.68
-2	*1.31	1.25					*0.84	0.83	2.59

DOZER DOWN — Boom: 2.405 mm - Arm: 1.330 mm - Bucket: SAE 0,11 m³ (CECE 0,094 m³) - Shoe: 300 mm

Units: 1.000 kg

A (m) \ B (m)	2		3		4		Max. reach		A(m)
4							*0.71	*0.71	2.95
3							*0.69	0.45	3.89
2			*0.82	0.69	*0.71	0.42	*0.71	0.36	4.33
1			*1.14	0.65	*0.81	0.40	*0.74	0.34	4.45
o (ground)	*1.46	1.18	*1.33	0.62	*0.88	0.40	*0.79	0.36	4.30
-1	*2.26	1.19	*1.28	0.62			*0.85	0.43	3.82
-2	*1.49	1.24					*0.86	0.73	2.80

1. The nominal forces are based on the SAE J1097 standard.

2. The load point is the hook at the rear of the bucket.

3. * = The nominal loads are based on hydraulic capacity.

4. The nominal loads do not exceed 87% of the hydraulic capacity or 75% of the capacity of the swing.

: Over front
 : Over side or 360°