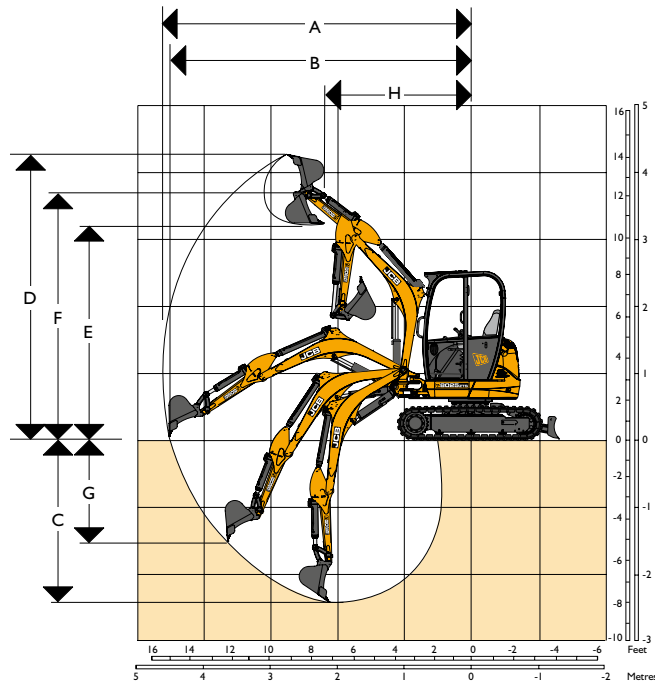


WORKING RANGE – 8025 ZTS



Machine Model		8025 ZTS
Boom length	mm (ft-in)	2130 (7-0)
Dipper length	mm (ft-in)	1100 (3-7¼)
A Max digging reach	mm (ft-in)	4828 (15-10)
B Max digging reach on ground	mm (ft-in)	4691 (15-4½)
C Max digging depth – dozer up	mm (ft-in)	2580 (8-5½)
Max digging depth – dozer down	mm (ft-in)	2832 (9-3½)
D Max digging height	mm (ft-in)	4333 (14-2½)
E Max dump height	mm (ft-in)	3158 (10-4¼)
F Max height to dipper nose pivot pin	mm (ft-in)	3700 (12-1½)
G Max vertical wallcut depth	mm (ft-in)	1542 (5-0¾)
H Min. front swing radius (no offset)	mm (ft-in)	2125 (6-11½)
Min. front swing radius (fully offset)	mm (ft-in)	1912 (6-3¼)
I Boom swing left	degrees	45
J Boom swing right	degrees	60
Bucket rotation	degrees	189
Dipper rotation	degrees	118.5
Bucket tearout	kN (lbf)	24 (5395)
Dipper tearout	kN (lbf)	15 (3372)
Slew speed	rpm	9.6

