

Engine	Yanmar 4TNV98C-PLYS
Gross Power	50 kw (67hp) @ 2,400 rpm
Breakout Force	20.8 kN
Rated Load	865 kg
Bucket Capacity	0.45 m ³
Operating Weight	3,100 kg

375B SKID STEER LOADER



TOUGH WORLD. TOUGH EQUIPMENT.

375B SPECIFICATIONS >>>

ENGINE	
Emission Regulation	EPA Tier 4F & EU Stage IIIB
Make	Yanmar
Model	4TNV98C-PLYS
Gross Power	50 kW @ 2,400 rpm
Net Power	48 kW @ 2,400 rpm
Peak Torque	241N · m @ 1,625 rpm
Number of Cylinders	4
Displacement	3.3 L
Cooling Type	water

ELECTRICAL SYSTEM	
System Voltage	12 V
Alternator Output	85 amps

CHAIN TANK	
Drive Chain Size	80 HS

TIRES	
Ply Type	pneumatic
Tire Size	10-16.5
Ply Rating	8

HYDRAULIC SYSTEM			
System Type	open		
Standard Flow	69 L/min		
Traveling Hydrostatic Pressure	35 MPa		
Working Hydrostatic Pressure	20.7 MPa		
Hydraulic Cycle Time, total	7.9 s		
Raise	Dump	Lower (float down)	
3.9 s	1.9 s	2.1 s	

OPERATING WEIGHT	
Operating Weight	3,100 kg

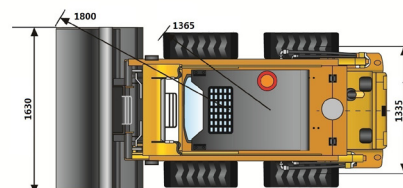
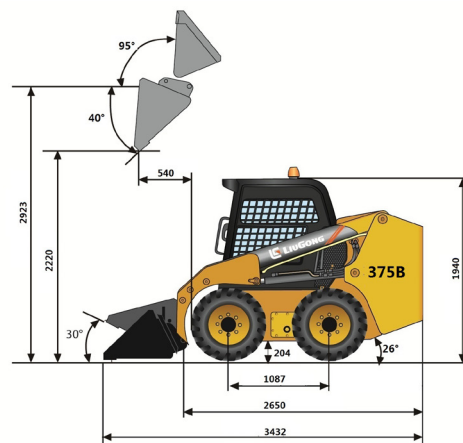
PERFORMANCE	
Static Tipping Load	1,886 kg
Rated Load	865 kg
Boom Breakout Force	18.9 kN
Bucket Breakout Force	20.8 kN
Dump Clearance at Full Height Discharge	2,220 mm
Dump Reach at Full Height Discharge	540 mm
Maximum Dump Angle at Full Height	40°
Maximum Hinge Pin Height	2,923 mm
Bucket Rollback at Ground Level	30°
Ground Clearance	204 mm
Angle of Departure	26°
Front Clearance Radius with Bucket	1,800 mm

SERVICE CAPACITIES	
Fuel Tank	100 L
Engine Oil	9 L
Cooling System	13 L
Hydraulic Reservoir	52 L
Hydraulic System Total	70 L
Chain Tanks, Each	8 L

STANDARD EQUIPMENT	
General Bucket –0.45 m ³	
Control Safety Interlock	
Boom Interlock	
Quick Coupler	
Open ROPS/FOPS Cab	

OPTIONAL EQUIPMENT	
Solid Tire	
Tire Chains	
Heater	
Optional Counterweight	
High Flow	
Two Speed Motor	
Enclosed ROPS/FOPS Cab with AC	

OPTIONAL ATTACHMENTS	
• 4 in 1 Bucket – 0.4 m ³	• Auger
• Rock Bucket – 0.4 m ³	• Cold Planer
• Scrap Bucket – 350 mm to 650 mm	• Snow Blade
• Hydraulic Hammer	• Pick-up Sweeper
• Fork	• Hydraulic Shear
• Lift Boom	



Guangxi Liugong Machinery Co., Ltd.

No. 1 Liutai Road, Liuzhou, Guangxi, PR China, 454007
T: +86 772 3886124 E: overseas@liugong.com
www.liugong.com

Specifications and designs are subject to change without notice. Machines shown may include optional equipment.

01/2017 Designed by LiuGong