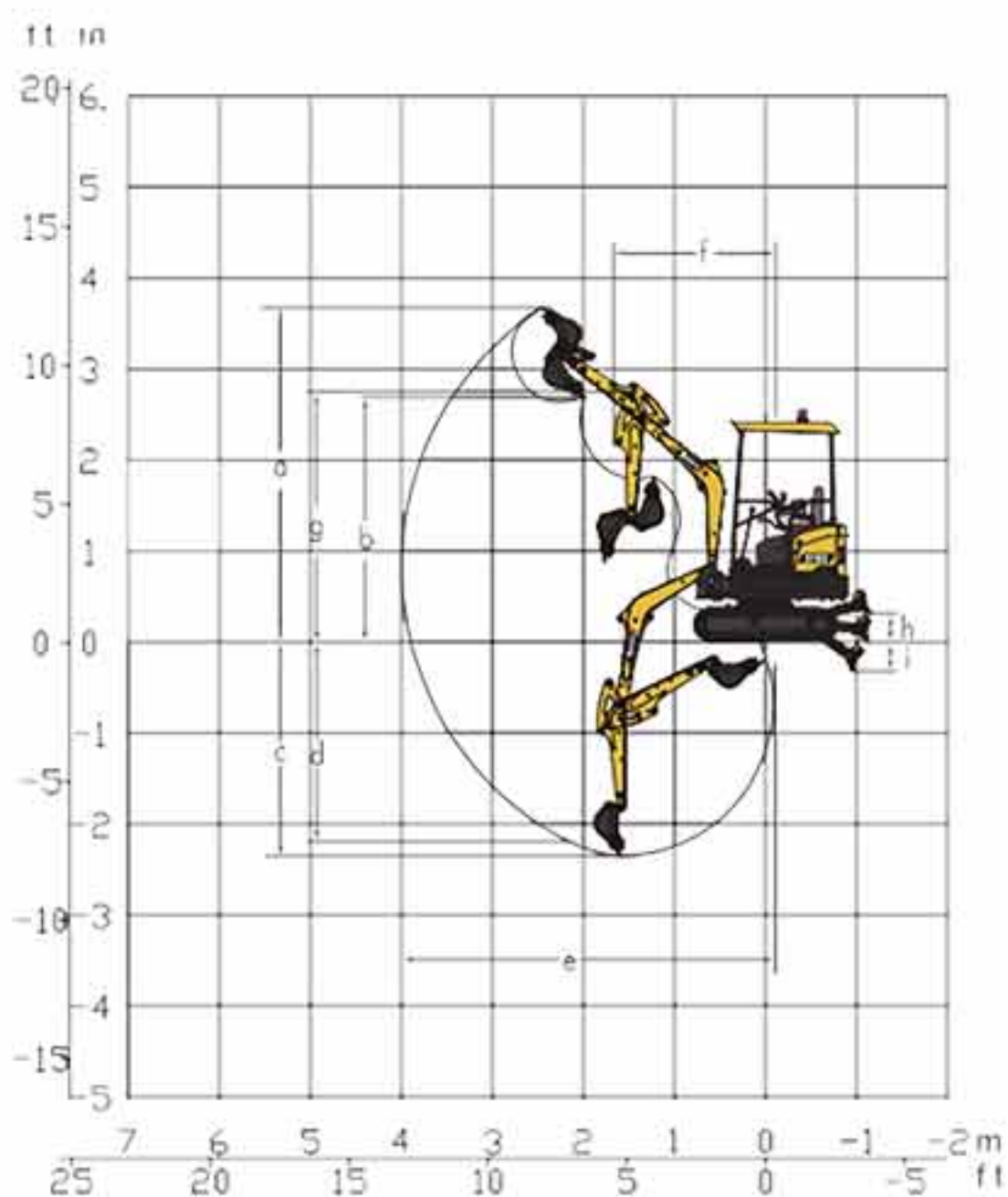


# Specification

<b>Basic</b>	Operating Weight	kg	1750	
	Bucket Capacity (Std.)	m <sup>3</sup>	0.04	
	Max.Torque	N·m/rpm	52.4/1600	
<b>Engine</b>	Model	\	Yanmar 3TNV70-SSU	
	Rated Power	kW/rpm	10.3/2200	
	Emission Standard	\	Tier 3	
	Displacement	L	0.854	
<b>Performance</b>	Travel Speed	km/h	3.7/2.1	
	Swing Speed	rpm	10	
	Gradeability	%	58	
	Ground Pressure	kPa	29,1	
	Motor	V/kw	12/1.1	
	Generator	A	40	
	Tractive Force	kN	15.6	
	Max.Digging Force	Bucket	kN	15.2
		Arm	kN	9.2
	Bore x Stroke	Boom Cylinder	mm	55×387
Arm Cylinder		mm	55×480	
Bucket Cylinder		mm	50×355	
Blade Cylinder		mm	75×120	
<b>Service Refill Capacities</b>	Fuel Tank	L	23	
	Hyd Tank	L	21	
	Engine Oil	L	2	
	Engine Coolant	L	3.8	
	Final Transmission	L	2×0.4	
	Swing Drive	L	\	



<b>Working Range</b>	a	Max. Digging Height	mm	3665
	b	Max. Dumping Height	mm	2635
	c	Max. Digging Depth	mm	2360
	d	Max. Vertical Digging Depth	mm	2215
	e	Max. Digging Reach	mm	4000
	f	Min. Swing Radius	mm	1655
	g	Height at Min. Swing Radius	mm	2745
	h	Max. Clearance when Blade up	mm	310
	i	Max. Depth of Blade down	mm	320

<b>Dimensions</b>	Transport Length	mm	3575
	Transport Width	mm	980/1350
	Transport Height	mm	2420
	Blade Height	mm	270
	Track Shoe Width (Std.)	mm	230
	Track Gauge	mm	750/1120
	Minimum Ground Clearance	mm	180
	Tail Swing Radius	mm	920
	Track Ground Length	mm	1220
	Track Length	mm	1585
	Track Height	mm	375
	Upperstructure Width	mm	980
	Sight Line Height	mm	2085
	Cabin Top Length	mm	1200
	Tail Length	mm	20
	Counterweight Clearance	mm	470
	Overall Length (excl.working device)	mm	1690
	Length on the Ground	mm	2255
	Overall Height of Engine Hood	mm	1270
Overall Height of Counterweight	mm	\	
<b>Structural Components</b>	Number of Track Shoes	\	Std.Rubber Track
	Carrier Roller	\	2
	Track Roller	\	3
	Boom	m	1.81
	Arm	m	1.13

## Lifting capacities

Lifting Point Height(m)		Lifting Point Radius						Lifting Point Radius (Max)				
		1.5m		2.0m		2.5m		3.0m		Lifting Capacity		Reach
		Over-front	Over-side	Over-front	Over-side	Over-front	Over-side	Over-front	Over-side	Over-front	Over-side	(m)
3m	kg									*285	*285	2.466
2m	kg					*267	*253	*271	*271	*278	*278	3.211
1m	kg			*483	*483	*371	*370	*316	*306	*288	*244	3.458
0m	kg	*826	*826	*631	*528	*456	*383	*357	*295	*304	*252	3.342
-1	kg	*819	*819	*563	*529	*407	*382			*318	*318	2.81

1, The lifting capacities are based on ISO10560 and SAEJ1097 and do not exceed 75% of the static tilt load of the machine or 87% of the hydraulic lifting capacities of the machine.

2, The data with \* are hydraulic lifting capacities of the machine.

3, The excavator bucket weight is not included on this chart.