

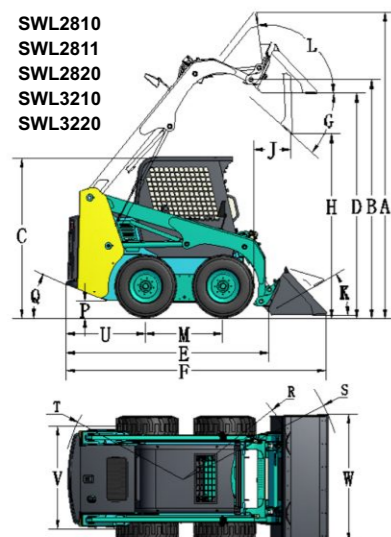
SWL/SWTL Skid Steer Loader Series Product Size Parameters

SWL/SWTL Skid Steer Loader Series Product Performance Parameters

| Datas | | Model | SWL2810 | SWL2811 | SWL2820 | SWL3210 | SWL3220 | SWL4018 | SWTL4518 | |
|----------------------|--------------|---|-----------------|-----------------|-----------------|-----------------|-----------------|-----------------|-----------------|-------|
| Dimension(LxBxH) | | in | 128.4x63.0x79.4 | 130.6x63.0x79.3 | 130.6x63.0x79.3 | 143.7x72.0x81.4 | 143.7x72.0x81.4 | 145.1x79.3x82.6 | 144.1x79.3x83.9 | |
| OPERATING PARAMETERS | A | Max. operating altitude | in | 151.6 | 151.6 | 151.6 | 158.3 | 158.3 | 161.7 | 161.7 |
| | B | Height to bucket hinge pin | in | 118.2 | 118.2 | 118.2 | 123.0 | 123.0 | 126.4 | 126.4 |
| | C | Height to top of cab | in | 79.4 | 79.3 | 79.3 | 81.4 | 81.4 | 82.6 | 83.9 |
| | D | Height to bottom of level bucket | in | 111.6 | 111.6 | 111.6 | 116.1 | 116.1 | 119.4 | 119.4 |
| | E | Overall length without attachment | in | 97.4 | 102.5 | 102.5 | 116.1 | 116.1 | 115.2 | 113.7 |
| | F | Overall length with standard bucket | in | 128.4 | 130.6 | 130.6 | 143.7 | 143.7 | 145.1 | 144.1 |
| | G | Max. height of the unloaded angle | ° | 42 | 42 | 42 | 43 | 43 | 43 | 43 |
| | H | Dumping height | in | 91.3 | 91.3 | 91.3 | 94.3 | 94.3 | 96.6 | 96.6 |
| | J | Dumping reach | in | 18.7 | 18.7 | 18.7 | 24.6 | 24.6 | 34.5 | 36.4 |
| | K | Bucket on the ground of the flip angle | ° | 30 | 30 | 30 | 30 | 30 | 30 | 30 |
| | L | Bucket at the highest flip angle | ° | 97 | 97 | 97 | 93 | 93 | 92 | 92 |
| | M | Wheelbase | in | 38.9 | 38.9 | 38.9 | 43.9 | 43.9 | 48.5 | 63.0 |
| | P | Ground clearance | in | 7.5 | 7.5 | 7.5 | 8.1 | 8.1 | 8.1 | 9.3 |
| | Q | Angle of departure | ° | 25 | 25 | 25 | 27 | 27 | 28 | 36 |
| | R | Without the attachments before turning radius | in | 46.0 | 48.6 | 48.6 | 52.8 | 52.8 | 53.7 | 56.7 |
| | S | Before turning radius | in | 76.9 | 76.9 | 76.9 | 85.8 | 85.8 | 88.4 | 90.1 |
| | T | After turning radius | in | 60.4 | 60.3 | 60.3 | 66.9 | 66.9 | 68.9 | 65.9 |
| | U | Tail length | in | 37.8 | 40.2 | 40.2 | 44.2 | 44.2 | 41.9 | 31.6 |
| | V | Wheel spacing (track center distance) | in | 50.9 | 50.9 | 50.9 | 58.1 | 58.1 | 59.1 | 60.2 |
| W | Bucket width | in | 63.0 | 63.0 | 63.0 | 72.0 | 72.0 | 79.3 | 79.3 | |

| Datas | | Model | SWL2810 | SWL2811 | SWL2820 | SWL3210 | SWL3220 | SWL4018 | SWTL4518 |
|-----------------------|----------------------------|----------------------------|---|----------------------------|----------------------------|---------------------------|----------------------------|------------------------------------|--|
| PERFORMANCE | Total weight | lb | 6134 | 6244 | 6244 | 7392 | 7392 | 8826 | 10062 |
| | Loading capacity | lb | 1655 | 1655 | 1655 | 2207 | 2207 | 3310 | 3310 |
| | Tipping load | lb | 3310 | 3310 | 3310 | 4413 | 4413 | 6620 | 9455 |
| | Bucket breakout force lift | lb | 4413 | 4413 | 4413 | 5472 | 5472 | 7613 | 7613 |
| | Boom breakout force lift | lb | 4192 | 4192 | 4192 | 5362 | 5362 | 6620 | 6620 |
| | Max. traveling speed | mph | 8.5 | 8.1 | 8.1 | 7.8 | 7.8 | 6.2/12.4 (Double speed) | 4.3/6.8 (Double speed) |
| | Bucket capacity | ft ³ | 14.1 | 14.1 | 14.1 | 18.7 | 18.7 | 23.6 | 23.6 |
| | ENGINE | Brand | | Yanmar | Xinchai | KUBOTA | KUBOTA | KUBOTA | KUBOTA |
| Model | | | 4TNV84T | C490BG | V2403-M-T | V3300DI | V3307-DI-T | V3800DI-T | V3800DI-T |
| Type | | | 4-cylinder, water-cooled, diesel engine | | | | | | |
| Emission standards | | | EPA Tier2/ EU Stage II | China Stage II | EPA Tier4/ EU Stage III | EPA Tier2/ EU Stage II | EPA Tier4/ EU Stage III | EPA Tier3/ EU Stage III | EPA Tier3/ EU Stage III |
| Power | | hp | 53.5 | 49.3 | 55.9 | 73.6 | 74.3 | 99.2 | 99.2 |
| Max. torque | | lb·ft | 118.4 | 115.1 | 120.7 | 180.0 | 195.5 | 239.7 | 239.7 |
| TRANSMISSION SYSTEM | | Type | | Hydrostatic closed circuit | | | | | |
| | Main pump | | 2xVariable displacement piston pump | | | | | | |
| | Motor | | 2xRadial piston quantitative motor | | | | | 2xRadial piston two variable motor | 2xRadial piston two variable motor+Reducer |
| | HYDRAULIC SYSTEM | Type | | Throttling system | | | | | |
| Pump | | | Gear pump | | | | | | |
| Max. flow | | gpm | 17.8+8.3 | 17.8 | 17.8+8.3 | 21.1+11.6 | 21.1+11.6 | 23.8+18.2 | 21.1+11.6 |
| Max. pressure | | psi | 3045 | 3045 | 3045 | 3045 | 3045 | 3045 | 3045 |
| Control valve | | | Three joint multi-way valve | | | | | | |
| Control mode | | ISO model of pilot control | | | | | | | |
| ELECTRICAL SYSTEM | Starting motor | V/kW | 12/2.3 | 12/3.0 | 12/2.0 | 12/3.0 | 12/3.0 | 12/3.0 | 12/3.0 |
| | Alternator | V/A | 12/55 | 12/40 | 12/40 | 12/45 | 12/80 | 12/80 | 12/80 |
| | Battery | Ah | 80 | 80 | 80 | 100 | 100 | 100 | 100 |
| FILLING QUANTITY | Hydraulic oil tank | gal | 13.2 | 9.2 | 9.2 | 9.2 | 9.2 | 17.2 | 17.2 |
| | Fuel oil tank | gal | 18.5 | 19.8 | 19.8 | 22.5 | 22.5 | 23.8 | 23.8 |
| | Sprocket oil tank | gal | 6.3 | 6.3 | 6.3 | 6.9 | 6.9 | 7.9 | --- |
| | Engine oil | gal | 2.0 | 1.7 | 2.5 | 3.5 | 2.9 | 3.5 | 3.5 |
| | Sprocket oil tank | gal | 2.0 | 2.4 | 2.1 | 2.2 | 2.2 | 2.6 | 2.6 |
| RUNNING CONFIGURATION | Tire size | | 10-16.5 | 10-16.5 | 10-16.5 | 12-16.5 | 12-16.5 | 12-16.5-12RP | --- |
| | Track size | | --- | --- | --- | --- | --- | --- | 450x84x57 |

SWL Series



SWTL Series

