

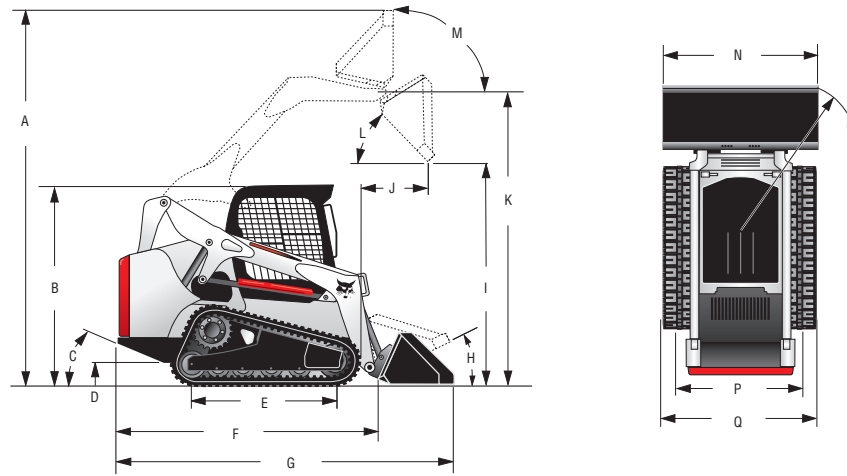
Specifications and Features Compact Track Loaders



Loader	T450	T550	T590	T630
Loader Series	M-Series	M-Series	M-Series	M-Series
Rated Operating Capacity (ROC) (35% of Tipping Load)	1,400 lb. (635 kg)	1,995 lb. (905 kg)	2,100 lb. (953 kg)	2,100 lb. (953 kg)
ROC with Counterweight (optional)	●			Counterweight kits are available
Operating Capacity at 50% of Tipping Load	2,000 lb. (907 kg)	2,850 lb. (1293 kg)	3,000 lb. (1361 kg)	3,000 lb. (1361 kg)
Tipping Load	4,000 lb. (1814 kg)	5,700 lb. (2585 kg)	6,000 lb. (2722 kg)	6,000 lb. (2722 kg)
ROC w/optional Roller Suspension	—	1,895 lb. (860 kg)	1,950 lb. (885 kg)	2,100 lb. (953 kg)
Height to Hinge Pin	109.5 in. (2781 mm)	114.5 in. (2908 mm)	119.0 in. (3023 mm)	121.0 in. (3073 mm)
Lift Arm Path	Radius	Radius	Vertical	Radius
Size and Speed				
Operating Weight	6,148 lb. (2789 kg)	7,557 lb. (3428 kg)	7,822 lb. (3548 kg)	8,655 lb. (3926 kg)
Bucket Width	56 in. (1422 mm)	68 in. (1727 mm)	68 in. (1727 mm)	74 in. (1880 mm)
Cab Height	77.8 in. (1972 mm)	77.8 in. (1972 mm)	77.8 in. (1972 mm)	81.3 in. (2065 mm)
Travel Speed-Single Speed	7.3 mph (11.7 km/hr.)	7.1 mph (11.4 km/hr.)	7.1 mph (11.4 km/hr.)	6.6 mph (10.6 km/hr.)
Travel Speed-High Range (optional two-speed)	11.0 mph (17.7 km/hr.)	10.4 mph (16.7 km/hr.)	10.4 mph (16.7 km/hr.)	10.7 mph (17.2 km/hr.)
Engine				
Horsepower	Tier 4	Tier 4	Tier 4	Tier 4
Horsepower	61 hp	66 hp	66 hp	74 hp
Type	Turbo Diesel	Turbo Diesel	Turbo Diesel	Turbo Diesel
Fuel Tank Capacity	17.3 gal. (65.5 L)	36.5 gal. (138.2 L)	36.5 gal. (138.2 L)	43.9 gal. (166.4 L)
Horsepower Management	●			Included with SJC Option
Diesel Particulate Filter (DPF) Requirement	No	No	No	No
Diesel Exhaust Fluid (DEF)	No	No	No	No
Uptime Protection				
Bobcat SmartFAN	Std	Std	Std	Std
Dual Path Cooling System	Std	Std	Std	Std
Machine Shutdown Protection	Std	Std	Std	Std
Tracks/Undercarriage				
Track Width-Standard	11.8 in. (300 mm)	12.6 in. (320 mm)	12.6 in. (320 mm)	12.6 in. (320 mm)
Track Width-Optional	—	15.75 in. (400 mm)	15.75 in. (400 mm)	17.7 in. (450 mm)
Ground Pressure (w/ Std Tracks)	4.7 psi (0.032 MPa)	4.9 psi (0.03 MPa)	5.1 psi (0.04 MPa)	5.3 psi (0.037 MPa)
Ground Pressure (w/ Opt Tracks)	—	4.0 psi (0.03 MPa)	4.1 psi (0.03 MPa)	3.8 psi (0.027 MPa)
Length of Track on Ground	50.2 in. (1275 mm)	54.1 in. (1374 mm)	54.1 in. (1374 mm)	58.5 in. (1486 mm)
Roller Suspension	—	Opt	Opt	Opt
Grease Cylinder Track Tensioning	Std	Std	Std	Std
Roller Per Side	3 (Triple Flange)	4 (Triple Flange)	4 (Triple Flange)	4 (Triple Flange)
Control Options				
Bobcat Standard (Foot Pedals/Steering Levers)	Std	Std	Std	Std
Advance Control System (ACS)	Opt	Opt	Opt	Opt
Selectable Joystick Control (SJC)	Opt	Opt	Opt	Opt
Radio Remote Control (SJC Required)	Opt	Opt	Opt	Opt
Standard Control Power Assist	—	—	—	—
Machine Features				
Air Ride Seat	Opt	Opt	Opt	Opt
Back-up Alarm & Horn	Std	Std	Std	Std
Bobcat Interlock Control System (BICS™)	Std	Std	Std	Std
Cab with Heat	Opt	Opt	Opt	Opt
Cab with Heat & Air Conditioning	Opt	Opt	Opt	Opt
Deluxe Instrumentation (includes Keyless Start)	Opt	Opt	Opt	Opt
Hydraulic Bucket Positioning	Opt	Opt	Opt	Opt
Mechanical Suspension Seat	Std	Std	Std	Std
Front and Rear Work Lights	Std	Std	Std	Std
Radio	Opt	Opt	Opt	Opt
Ride Control	Opt	Opt	Opt	Opt
ROPS/FOPS Approved Cab Structure	Std	Std	Std	Std
Sound Reduction Package	Opt	Opt	Opt	Opt
Two-Speed	Opt	Opt	Opt	Opt
Features for Attachments				
Attachment Control Kit	Opt	Opt	Opt	Opt
Bob-Tach™ Mounting System	Std	Std	Std	Std
Power Bob-Tach™	Opt	Opt	Opt	Opt
Fingertip Auxiliary Hydraulics Control	Std	Std	Std	Std
Hydraulic System Pressure	3,300 psi (22.75 MPa)	3,500 psi (24.1 MPa)	3,500 psi (24.1 MPa)	3,500 psi (24.1 MPa)
Hydraulic Standard Flow	16.7 gpm (63.2 L/min.)	17.1 gpm (64.7 L/min.)	17.1 gpm (64.7 L/min.)	23.0 gpm (87.1 L/min.)
Hydraulic High Flow (optional)	—	26.7 gpm (101.1 L/min.)	26.7 gpm (101.1 L/min.)	30.5 gpm (115.5 L/min.)
Pressure Release Hydraulic Quick Couplers	Std	Std	Std	Std
Speed Management	●			Included with SJC Option



T650	T740	T750	T770	T870
M-Series	M-Series	M-Series	M-Series	M-Series
2,570 lb. (1166 kg)	3,200 lb. (1451 kg)	3,325 lb. (1508 kg)	3,475 lb. (1578 kg)	3,525 lb. (1599 kg)
to increase ROC. See dealer on availabilities and ROC increases for your loader.				
3,670 lb. (1665 kg)	4,571 lb. (2074 kg)	4,750 lb. (2155 kg)	4,960 lb. (2250 kg)	5,030 lb. (2282 kg)
7,343 lb. (3331 kg)	9,143 lb. (4147 kg)	9,500 lb. (4309 kg)	9,929 lb. (4503 kg)	10,072 lb. (4569 kg)
2,570 lb. (1166 kg)	3,100 lb. (1406 kg)	3,200 lb. (1451 kg)	3,325 lb. (1508 kg)	—
124.0 in. (3149 mm)	132.0 in. (3353 mm)	132.0 in. (3353 mm)	132.0 in. (3353 mm)	144.0 in. (3657 mm)
Vertical	Vertical	Vertical	Vertical	Vertical
9,320 lb. (4227 kg)	10,263 lb. (4655 kg)	10,465 lb. (4747 kg)	10,465 lb. (4796 kg)	12925 lb. (5862 kg)
74.0 in. (1880 mm)	80.0 in. (2032 mm)	80.0 in. (2032 mm)	80.0 in. (2032 mm)	84.8 in. (2153 mm)
81.3 in. (2065 mm)	81.3 in. (2065 mm)	81.3 in. (2065 mm)	81.3 in. (2065 mm)	83.4 in. (2118 mm)
6.6 mph (10.6 km/hr.)	6.6 mph (10.6 km/hr.)	6.6 mph (10.6 km/hr.)	6.6 mph (10.6 km/hr.)	7.2 mph (11.5 km/h)
10.7 mph (17.2 km/hr.)	10.7 mph (17.2 km/hr.)	10.7 mph (17.2 km/hr.)	10.7 mph (17.2 km/hr.)	11.4 mph (18.3 km/h)
Tier 4	Tier 4	Tier 4	Tier 4	Tier 4
74 hp	74 hp	85 hp	92 hp	100 hp
Turbo Diesel	Turbo Diesel	Turbo Diesel	Turbo Diesel	Turbo Diesel
43.9 gal. (166.4 L)	43.9 gal. (166.4 L)	43.9 gal. (166.4 L)	43.9 gal. (166.4 L)	32.3 gal. (122.3 L)
—	Std	Included with SJC Option	—	Std
No	No	No	No	No
No	No	6.8 gal. (25.7 L)	6.8 gal. (25.7 L)	6.8 gal. (25.7 L)
Std	Std	Std	Std	Std
Std	Std	Std	Std	Std
Std	Std	Std	Std	Std
12.6 in. (320 mm)	17.7 in. (450 mm)	17.7 in. (450 mm)	17.7 in. (450 mm)	17.7 in. (450 mm)
17.7 in. (450 mm)	—	—	—	—
5.7 psi (0.039 MPa)	4.1 psi (0.029 MPa)	4.2 psi (0.029 MPa)	4.2 psi (0.029 MPa)	4.9 psi (0.033 MPa)
4.2 psi (0.029 MPa)	—	—	—	—
58.5 in. (1486 mm)	63.7 in. (1618 mm)	63.7 in. (1618 mm)	63.7 in. (1618 mm)	68.9 in. (1749 mm)
Opt	Opt	Opt	Opt	Std
Std	Std	Std	Std	Std
4 (Triple Flange)	5 (Triple Flange)	5 (Triple Flange)	5 (Triple Flange)	4 (Triple Flange)
Std	—	Std	Std	—
Opt	—	Opt	Opt	—
Opt	Opt	Opt	Opt	Opt
Opt	Opt	Opt	Opt	Opt
—	Std	—	—	Std
Opt	Opt	Opt	Opt	Opt
Std	Std	Std	Std	Std
Std	Std	Std	Std	Std
Opt	Opt	Opt	Opt	Opt
Opt	Opt	Opt	Opt	Opt
Opt	Opt	Opt	Opt	Opt
Std	Std	Std	Std	Std
Std	Std	Std	Std	Std
Opt	Opt	Opt	Opt	Opt
Opt	Opt	Opt	Opt	Opt
Opt	Opt	Opt	Opt	Opt
Std	Std	Std	Std	Std
Std	Std	Std	Std	Std
3,500 psi (24.1 MPa)	3,500 psi (24.1 MPa)	3,500 psi (24.1 MPa)	3,500 psi (24.1 MPa)	3,500 psi (24.1 MPa)
23.0 gpm (87.1 L/min.)	23.0 gpm (87.1 L/min.)	23.0 gpm (87.1 L/min.)	23.0 gpm (87.1 L/min.)	23.0 gpm (87.1 L/min.)
30.5 gpm (115.5 L/min.)	30.5 gpm (115.5 L/min.)	36.6 gpm (138.5 L/min.)	36.6 gpm (138.5 L/min.)	36.6 gpm (138.5 L/min.)
Std	Std	Std	Std	Std
—	Std	Included with SJC Option	—	Std



	T450	T550	T590	T630	T650
A	141.9 in. (3604 mm)	149.1 in. (3787 mm)	153.6 in. (3901 mm)	155.5 in. (3950 mm)	158.5 in. (4026 mm)
B	77.8 in. (1972 mm)	77.8 in. (1972 mm)	77.8 in. (1972 mm)	81.3 in. (2065 mm)	81.3 in. (2065 mm)
C	28°	27.8°	28.8°	31°	31°
D	8.4 in. (213 mm)	7.4 in. (188 mm)	7.4 in. (188 mm)	8.1 in. (206 mm)	8.1 in. (206 mm)
E	50.2 in. (1275 mm)	55.2 in. (1402 mm)	55.2 in. (1402 mm)	59 in. (1499 mm)	59 in. (1499 mm)
F	98.4 in. (2499 mm)	104.6 in. (2657 mm)	104.6 in. (2657 mm)	108.4 in. (2753 mm)	108.4 in. (2753 mm)
G	126.6 in. (3216 mm)	133 in. (3378 mm)	133 in. (3378 mm)	136.8 in. (3474 mm)	136.8 in. (3474 mm)
H	28°	30°	30°	31°	31°
I	83.8 in. (2199 mm)	86.8 in. (2205 mm)	91.3 in. (2319 mm)	93.2 in. (2367 mm)	96.3 in. (2447 mm)
J	23.5 in. (597 mm)	19.3 in. (490 mm)	34.9 in. (887 mm)	24.1 in. (613 mm)	34.2 in. (870 mm)
K	109.5 in. (2781 mm)	114.5 in. (2908 mm)	119 in. (3023 mm)	121 in. (3073 mm)	124 in. (3149 mm)
L	40°	42°	42°	42°	42°
M	91°	97°	97°	97°	97°
N	56.0 in. (1422 mm)	68 in. (1727 mm)	68 in. (1727 mm)	74 in. (1880 mm)	74 in. (1880 mm)
O	77.9 in. (1979 mm)	80 in. (2032 mm)	80 in. (2032 mm)	88.1 in. (2238 mm)	87.7 in. (2228 mm)
P	43.2 in. (1097 mm)	54.4 in. (1382 mm)	54.4 in. (1382 mm)	60.3 in. (1532 mm)	60.3 in. (1532 mm)
Q	55.0 in. (1397 mm)	67 in. (1702 mm)	67 in. (1702 mm)	72.9 in. (1851 mm)	72.9 in. (1851 mm)

	T740	T750	T770	T870
A	166.6 in. (4232 mm)	166.6 in. (4232 mm)	166.6 in. (4232 mm)	184.6 in. (4689 mm)
B	81.3 in. (2065 mm)	81.3 in. (2065 mm)	81.3 in. (2065 mm)	83.4 in. (2118 mm)
C	31°	31°	31°	33°
D	8.1 in. (206 mm)	8.1 in. (206 mm)	8.1 in. (206 mm)	8.6 in. (218 mm)
E	63.7 in. (1618 mm)	63.7 in. (1618 mm)	63.7 in. (1618 mm)	68.9 in. (1749 mm)
F	114.3 in. (2903 mm)	114.3 in. (2903 mm)	114.3 in. (2903 mm)	119.3 in. (3030 mm)
G	141.6 in. (3597 mm)	141.6 in. (3597 mm)	141.6 in. (3597 mm)	153.9 in. (3910 mm)
H	32°	32°	32°	31°
I	104.3 in. (2649 mm)	104.3 in. (2649 mm)	104.3 in. (2649 mm)	112.3 in. (2853 mm)
J	33.6 in. (853 mm)	33.6 in. (853 mm)	33.6 in. (853 mm)	36.5 in. (927 mm)
K	132 in. (3353 mm)	132 in. (3353 mm)	132 in. (3353 mm)	144 in. (3657 mm)
L	42°	42°	42°	42°
M	98°	98°	98°	98°
N	80 in. (2032 mm)	80 in. (2032 mm)	80 in. (2032 mm)	84.8 in. (2153 mm)
O	88 in. (2235 mm)	88 in. (2235 mm)	88 in. (2235 mm)	99 in. (2514 mm)
P	60.3 in. (1532 mm)	60.3 in. (1532 mm)	60.3 in. (1532 mm)	65.3 in. (1658 mm)
Q	78 in. (1981 mm)	78 in. (1981 mm)	78 in. (1981 mm)	83 in. (2108 mm)



Training Resources

Train operators and technicians in the safe operation and servicing of Bobcat equipment. Operator training courses, safety videos and other training materials are available at your Bobcat dealer's parts department or online at Bobcat.com/training

NOTE — Where applicable, dimensions are in accordance with Society of Automotive Engineers (SAE) and ISO standards. Specifications and design are subject to change without notice. Pictures of Bobcat loaders may show other than standard equipment. All dimensions are given for loader equipped with standard tracks. All dimensions are shown in inches. Respective metric dimensions are enclosed by parentheses. Bobcat Company complies with the requirements of ISO 9001 as registered with BSI.

*Certain specification(s) are based on engineering calculations and are not actual measurements. Specification(s) are provided for comparison purposes only and are subject to change without notice. Specification(s) for your individual Bobcat equipment will vary based on normal variations in design, manufacturing, operating conditions, and other factors.