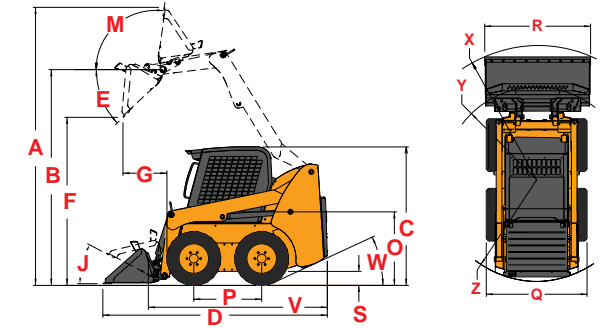


		1050R	1350R	1500R	1650R	1900R	2200R	2600R	2700V NXT2	3300V NXT2	4000V
DIMENSIONS	A. Overall Operating Height – Fully Raised (mm)	139.6" (3546)	143.9" (3655)	152.6" (3876)	152.6" (3876)	158" (4013)	161" (4089)	161" (4089)	167.4" (4252)	172" (4369)	186.8" (4745)
	B. Height to Hinge Pin – Fully Raised (mm)	108.1" (2746)	109.6" (2784)	119" (3023)	119" (3023)	120.5" (3061)	123" (3124)	123" (3124)	130.3" (3310)	131.2" (3332)	143.6" (3647)
	C. Overall Height to Top of ROPS (mm)	70.3" (1786)	75.1" (1908)	76.7" (1948)	76.7" (1948)	80" (2032)	81" (2057)	81" (2057)	81" (2057)	82" (2083)	82" (2083)
	D. Overall Length with Bucket (mm)	114" (2896) w/ 55" Bucket	120.3" (3056) w/ 54" Bucket	122.1" (3101) w/ 61.5" Bucket	122.1" (3101) w/ 61.5" Bucket	127" (3226) w/ 66" Bucket	136.5" (3467) w/ 70" Bucket	143" (3632) w/ 70" Bucket	148" (3759) w/ 70" Bucket	152.5" (3874) w/ 74" Bucket	158.5" (4026) w/ 84" Bucket
	E. Dump Angle at Full Height	42°	40°	38°	38°	42°	40°	40°	42°	42°	31°
	F. Dump Height (mm)	84.5" (2146)	82.6" (2098)	93.7" (2380)	93.7" (2380)	91" (2311)	94" (2388)	94" (2388)	100" (2540)	98.5" (2502)	114.8" (2916)
	G. Dump Reach at Full Height (mm)	22.8" (579)	22.7" (577)	22.8" (579)	22.8" (579)	22.5" (572)	27" (686)	27" (686)	32" (813)	32" (813)	39.5" (1003)
	J. Rollback at Ground	29°	29°	28°	28°	26°	28°	28°	29°	29°	31°
	M. Rollback Angle at Full Height	99°	82°	99°	99°	96°	95°	95°	94°	94°	100°
	O. Seat to Ground Height (mm)	32.6" (828)	33.3" (846)	35.6" (904)	35.6" (904)	39" (991)	40" (1016)	40" (1016)	40" (1016)	41" (1041)	41.2" (1046)
	P. Wheelbase (mm)	34.5" (876)	37.6" (955)	38.9" (988)	38.9" (988)	42" (1067)	43" (1092)	49.5" (1257)	49.5" (1257)	49.5" (1257)	54.6" (1387)
	Q. Overall Width - Less Bucket ^ (mm)	48.4" (1229)	52.6" (1336)	63.2" (1605)	63.2" (1605)	64.5" (1638)	65.5" (1664)	65.5" (1664)	69.5" (1765)	72" (1829)	79.5" (2019)
	R. Bucket Width (mm)	55" (1404)	54" (1372)	61.5" (1562)	61.5" (1562)	66" (1676)	70" (1778)	70" (1778)	70" (1778)	74" (1880)	84" (2134)
	S. Ground Clearance to Chassis (mm)	6.0" (152)	7.9" (201)	6.3" (160)	6.3" (160)	6.5" (165)	8" (203)	8" (203)	8" (203)	9" (229)	7.3" (185)
	V. Overall Length - Less Bucket (mm)	88.9" (2258)	92.2" (2342)	93.9" (2385)	93.9" (2385)	94" (2388)	105" (2667)	111.5" (2832)	116.5" (2959)	119" (3023)	121.5" (3086)
	W. Departure Angle	26°	25°	21°	21°	25°	25°	25°	25°	25°	19°
	X. Clearance Circle – Front w/ Bucket (mm)	69.4" (1763)	72.5" (1842)	73.6" (1869)	73.6" (1869)	79" (2007)	87.5" (2223)	90" (2286)	90" (2286)	94.5" (2400)	88.5" (2248)
	Y. Clearance Circle – Front w/o Bucket (mm)	44.1" (1120)	44.1" (1130)	45.4" (1153)	45.4" (1153)	44.5" (1130)	52" (1321)	56" (1422)	56" (1422)	56" (1422)	50.8" (1290)
	Z. Clearance Circle – Rear (mm)	54.1" (1374)	54" (1372)	57.7" (1466)	57.7" (1466)	58.5" (1486)	60" (1524)	64" (1626)	66.5" (1689)	69.5" (1765)	70.5" (1791)
	Standard Specification Tire Size	27x8.5x15 HD	10.00x16.5 HD	10.00x16.5 HD	10.00x16.5 HD	10.00x16.5 HD	12.00x16.5 HD	12.00x16.5 HD	12.00x16.5 HD	14.00x17.5 HD	14.00x17.5 HD
ENGINE	Make	Yanmar	Yanmar	Yanmar	Yanmar	Yanmar	Yanmar	Yanmar	Yanmar	Yanmar	Cummins
	Model	3TNV88C-KMS Tier IV	4TNV88C-KMS Tier IV	4TNV88C-KMS Tier IV	4TNV98C-NMS2 Tier IV	4TNV98C-NMS Tier IV	4TNV98C-NMS Tier IV	4TNV98C-NMS Tier IV	4TNV98C-NMS Tier IV	4TNV98C-NMS Tier IV	QSB 4.5 Tier III
	Gross Power (kW) @ rpm	34.7 hp (25.5) @ 2800	46.3 hp (34.5) @ 2800	46.3 hp (34.5) @ 2800	69.9 hp (52) @ 2500	69.3 hp (51.7) @ 2500	72 hp (53.7) @ 2500	72 hp (53.7) @ 2500	72 hp (53.7) @ 2500	72 hp (53.7) @ 2500	N/A
	Net Power (kW) @ rpm	33.1 hp (24.7) @ 2800	44.5 hp (33) @ 2800	44.5 hp (33) @ 2800	68.4 hp (51) @ 2500	68.4 hp (51) @ 2500	70.7 hp (52.7) @ 2500	70.7 hp (52.7) @ 2500	70.7 hp (52.7) @ 2500	70.7 hp (52.7) @ 2500	99 hp (74) @ 2200
	Maximum Torque (Nm) @ rpm	80 ft.-lbs. (108) @ 1680	107.8 ft.-lbs. (146) @ 1820	107.8 ft.-lbs. (146) @ 1820	178 ft.-lbs. (241) @ 1625	178 ft.-lbs. (241) @ 1625	217 ft.-lbs. (294) @ 1625	217 ft.-lbs. (294) @ 1625	217 ft.-lbs. (294) @ 1625	217 ft.-lbs. (294) @ 1625	326 ft.-lbs. (442) @ 1300
	Displacement (L)	100 cu.in. (1.6)	133.6 cu.in. (2.19)	133.6 cu.in. (2.19)	201.4 cu.in. (3.3)	202.6 cu.in. (3.3)	202.6 cu.in. (3.3)	202.6 cu.in. (3.3)	202.6 cu.in. (3.3)	202.6 cu.in. (3.3)	272 cu.in. (4.5)
HYDRAULIC SYSTEM	Auxiliary Hydraulics – Standard (L/min)	14.5 gpm (55)	17 gpm (64.4)	17 gpm (64.4)	18.9 gpm (71.4)	18.5 gpm (70)	23.5 gpm (90)	23.5 gpm (90)	23.5 gpm (89)	23.5 gpm (89)	32 gpm (121)
	High-Flow Auxiliary Hydraulics – Option (L/min)	N/A	N/A	N/A	25 gpm (94.6)	31.5 gpm (119)	35 gpm (132.5)	35 gpm (132.5)	35 gpm (132)	35 gpm (132)	40.8 gpm (154)
	Reservoir Capacity (L)	8 gal. (30.3)	10 gal. (37.9)	11 gal. (41.6)	11 gal. (41.6)	8 gal. (30.3)	8 gal. (30.3)	8 gal. (30.3)	10.5 gal. (40)	10.5 gal. (40)	16.75 gal. (63)
ELECTRICAL SYSTEM	Battery (CCA)	12-volt (675)	12-volt (950)	12-volt (950)	12-volt (950)	12-volt (950)	12-volt (950)	12-volt (950)	12-volt (950)	12-volt (950)	12-volt (950)
	Starter (kW)	12-volt (2.3)	12-volt (3.0)	12-volt (3.0)	12-volt (3.0)	12-volt (3.0)	12-volt (3.0)	12-volt (3.0)	12-volt (3.0)	12-volt (3.0)	12-volt (3.0)
	Alternator	40-amp	100-amp	100-amp	100-amp	95-amp	95-amp	95-amp	95-amp	95-amp	130-amp
CAPACITIES / WEIGHTS	Rated Operating Capacity ^a (kg)	1,050 lbs. (476)	1,350 lbs. (612)	1,500 lbs. (680)	1,650 lbs. (748)	1,900 lbs. (862)	2,200 lbs. (998)	2,600 lbs. (1179)	2,700 lbs. (1225)	3,300 lbs. (1497)	4,000 lbs. (1814)
	Rated Op. Capacity with Opt. Counterweight ^b (kg)	1,175 lbs. (533)	1,500 lbs. (680)	1,650 lbs. (748)	1,800 lbs. (816.5)	2,110 lbs. (957)	2,370 lbs. (1075)	2,780 lbs. (1261)	3,000 lbs. (1361)	N/A	N/A
	Fuel Tank (L)	10.4 gal. (39.4)	16.5 gal. (62.5)	16.5 gal. (62.5)	16.5 gal. (62.5)	16.5 gal. (62.5)	18 gal. (68.1)	21.5 gal. (81.4)	24.5 gal. (92.7)	24.5 gal. (92.7)	31.25 gal. (118)
	Travel Speed – Maximum (km/hr)	5.9 mph (9.5)	8.0 mph (12.9)	7.4 mph (11.9)	7.8 mph (12.6)	7.5 mph (12.1)	8.0 mph (12.9)	8.0 mph (12.9)	7.4 mph (12)	8.1 mph (13.0)	6.5 mph (10.5)
	Travel Speed w/ Two-Speed Option - Maximum (km/hr)	N/A	N/A	N/A	12.1 mph (19.5)	12.5 mph (20.1)	11.9 mph (19.2)	11.9 mph (19.2)	11.9 mph (19.2)	12.2 mph (19.6)	11.2 mph (18)
	Operating Weight ^c – Approximate (kg)	4,200 lbs. (1905)	5,130 lbs. (2327)	5,930 lbs. (2690)	6,165 lbs. (2796)	6,880 lbs. (3121)	7,980 lbs. (3620)	8,200 lbs. (3719)	8,150 lbs. (3697)	9,090 lbs. (4123)	11,100 lbs. (5035)

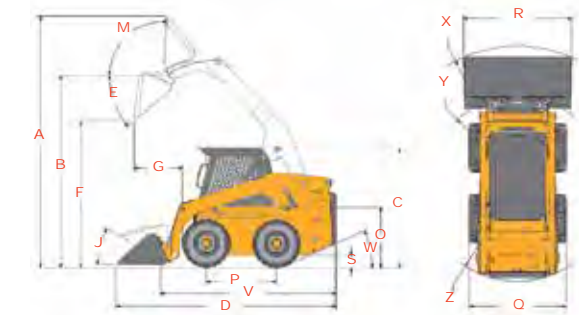
REFERENCE DIAGRAMS

RADIAL-LIFT

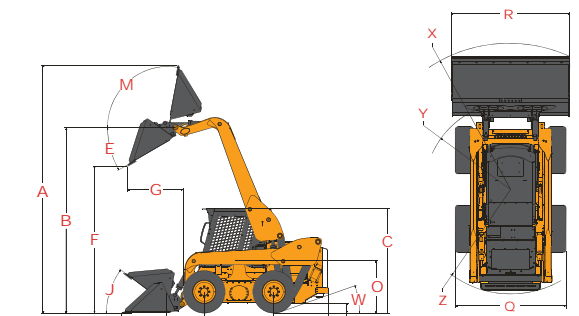


VERTICAL-LIFT

2700V NXT2 / 3300V NXT2



4000V



- A Overall width is dependent upon the amount of wheel offset.
- B Per SAE J818, SAE J732, and ISO 14397
- C Weight of base unit with standard equipment, standard tires (heavy-duty flotation), standard dirt-construction bucket and 175 lbs. (79 kg) operator.

ORIGINAL WORKHORSE

Mustang authorized dealers offer a full line of compact equipment, backed up by exceptional sales, service and parts experience.

For more information on Mustang equipment, visit our website:

mustangmfg.com

Mustang reminds users to read and understand the operator's manual before operating any equipment. Also, make sure all safety devices and shields are in place and functioning properly.

Mustang reserves the right to add improvements or make changes in specifications at any time without notice or obligation.



Mustang Mfg

¹ Adjustable control towers and armrests available on joystick and hand/foot control configurations only.

² Foot throttle on hand control units only.

³ Hydraglide™ Ride Control is standard with pilot controls and hands only controls.



West Bend, WI 53095 U.S.A.

Tel: 262-334-9461 | Fax: 262-338-7517

○ STANDARD ● OPTIONAL

	1050R	1350R	1500R	1650R	1900R	2200R	2600R	2700V NXT2	3300V NXT2	4000V
CONTROLS										
Hands-Only	○	●	●	●						
Dual-Hand Controls					●	●	●	●	●	●
Hand/Foot Controls	○	●	●	●	●	●	●	●	●	●
Joystick Controls				●	●	●	●	●	●	●
ENGINE										
Engine Auto-Shutdown System		○	○	○	○	○	○	○	○	○
Engine Block Heater	○	●	●	●	●	●	●	●	●	●
Turbo-Charged Engine						○	○	○	○	○
Swing-out Cooler		○	○	○						○
HYDRAULICS										
Auxiliary Hydraulics	○	○	○	○	○	○	○	○	○	○
High-Flow Auxiliary Hydraulics					●	●	●	●	●	●
OPERATOR STATION										
Adjustable Arm Rests / Control Towers ¹					○	○	○	○	○	○
Heating	●	●	●	●	●	●	●	●	●	●
Air Conditioning		●	●	●	●	●	●	●	●	●
High-Back Adjustable Seat	○	○	○	○	○	○	○	○	○	
Suspension Seat - Mechanical	●	●	●	●	●	●	●	●	●	○
Suspension Seat - Air Ride		●	●	●	●	●	●	●	●	●
Cab Enclosure	●	●	●	●	●	●	●	●	●	●
Foot and Hand Throttles ²	○	○	○	○	○	○	○	○	○	○
Full Instrumentation	○	○	○	○	○	○	○	○	○	○
Horn	●	○	○	○	○	○	○	○	○	○
Integral Access Plate (removable)	○	○	○	○	○	○	○	○	○	○
Operator Restraint Bar	○	○	○	○	○	○	○	○	○	○
ROPS/FOPS Level II Overhead Guard	○	○	○	○	○	○	○	○	○	○
Sound Reduction Material	○	○	○	○	○	○	○	○	○	○
Work Lights - Front and Rear	○	○	○	○	○	○	○	○	○	○
PERFORMANCE										
All-Tach® Attachment Mounting System	○	○	○	○	○	○	○	○	○	○
Power-A-Tach® Attachment Mounting System		●	●	●	●	●	●	●	●	●
Anti-Vandalism Protection	○	○	○	○	○	○	○	○	○	○
Back-Up Alarm	●	●	●	●	●	●	●	●	●	●
Brake Control (Auto / Manual)	○	○	○	○	○	○	○	○	○	○
Counterweight	●	●	●	●	●	●	●	●	○	
Hydraglide™ Ride Control ³			●	●	●	●	●	○	○	○
Hydraloc™ Safety System	○	○	○	○	○	○	○	○	○	○
Hydrostatic Drive	○	○	○	○	○	○	○	○	○	○
Lift Arm Support Device	○	○	○	○	○	○	○	○	○	○
Switchable Self-Leveling Hydraulic Lift Action	●	●	●	●	●	●	●	●	○	○
Two-Speed Drive				●	●	●	●	○	○	○