

M Extra/R Extra



Arctic

Coal

Construction

Forestry

Foundry

TD-25

CRAWLER DOZERS

Landfill

Mining & Aggregates

Road & Highway

ENGINE

	TD-25M Extra	TD-25R Extra
Make and model	Cummins QSX15	Cummins QSX15
Emissions standard	EPA Tier 3/EU Stage IIIA	EPA Tier 4f/EU Stage IV
Displacement	15 l (912 in ³)	15 l (912 in ³)
Bore and stroke	137 x 169 mm (5.39 x 6.65 in)	137 x 169 mm (5.39 x 6.65 in)
Gross horsepower, SAE J1995	280 kW (375 Hp)	280 kW (375 Hp)
Net horsepower, SAE J1349/ ISO 9249	246 kW (330 Hp)	246 kW (330 Hp)
Rated rpm	1800	2000
Max. torque	1825 Nm (1,346 lb-ft)	1993 Nm (1470 lb-ft) @ 1200 rpm
Air cleaner	2-stage, dry type, with dash mounted electronic service indicator	Cummins Filtration Direct Flow™, dry type, with dash-mounted electronic service indicator
Cold-starting aid	Intake-mounted air-inlet grid heater	Ether start
Slope operation, max. angle	45°	45°

COOLING

	TD-25M Extra	TD-25R Extra
Type	Suction-type variable-speed fan, hydraulically driven with perforated engine side sheets and heavy duty louvered front grill.	Suction-type variable-speed fan, hydraulically driven with perforated engine side sheets and heavy duty louvered front grill.
Engine coolant rating	-37°C (-34°F)	-37°C (-34°F)

OPERATOR STATION

	TD-25M Extra	TD-25R Extra
ROPS	ROPS (ISO 3471 - 2008)	ROPS (ISO 3471 - 2008)
FOPS	FOPS (ISO 3449 - 2005)	FOPS (ISO 3449 - 2005)

UNDERCARRIAGE

	TD-25M Extra	TD-25R Extra	TD-25M/R Extra (BOGIE)
Suspension	Oscillation-type with equalizer bar and forward mounted pivot shafts.		
Tracks	Large deep-heat-treated, sealed, and lubricated track links and through-hardened, sealed, and lubricated rollers for maximum wear resistance.		
Track gauge	2140 mm (7 ft)		
Track shoe width	560 mm (22 in.)	560 mm (22 in.)	610 mm (24 in.)
Chain	Sealed and lubricated		
Shoes, each side	38	39	46
Track rollers, each side	7	7	8
Track length on ground	3150 mm (10 ft 4 in.)	3270 mm (10 ft 9 in.)	3451 mm (11 ft 3.9 in.)
Ground contact area	35000 cm ² (5,456 sq. in.)	36600 cm ² (5,673 sq. in.)	42100 cm ² (6,526 sq. in.)
Ground pressure	102 kPa (14.8 psi)	101 kPa (14.6 psi)	100 kPa (14.5 psi)
Track pitch	250 mm (9.86 in.)	250 mm (9.86 in.)	215.9 mm (8.5 in)
Sprocket segments, each side	8	8	8

POWERTRAIN

	TD-25M Extra		TD-25R Extra	
Transmission	Single stage 415 mm (16 in.) torque converter with a 2.45:1 stall ratio drives to transmission through a triple universal joint. Modular, countershaft type power shift transmission, electro-hydraulic control. Preset travel speed selection and auto-downshift.		Single stage 415 mm (16 in.) torque converter with a 2.45:1 stall ratio drives to transmission through a double universal joint. Modular, countershaft type power shift transmission, electro-hydraulic control. Preset travel speed and auto-downshift.	
Steering	Exclusive 2-speed geared steering module provides gradual turns while maintaining full power to both tracks plus conventional clutch-brake performance for tight or pivot turns. Coupled to 3-speed transmission, the 2-speed steering provides 6 speeds forward and 6 reverse. The left hand joystick controls transmission and steering drive for up and down shifting, steering, Hi/Lo selection and LH/RH gradual turn.		Exclusive 2-speed geared steering module provides gradual turns while maintaining full power to both tracks plus conventional clutch-brake performance for tight or pivot turns. Coupled to 3-speed transmission, the 2-speed steering provides 6 speeds forward and 6 reverse. The left hand joystick controls transmission and steering drive for up and down shifting, steering, Hi/Lo selection and LH/RH gradual turn.	
Final drives	Double-reduction planetary type final drives mounted independently of track frames and dozer push frames for isolation from shock loads.		Double-reduction planetary type final drives mounted independently of track frames and dozer push arms for isolation from shock loads.	
Total ratio	25.5 to 1		25.5 to 1	
Maximum drawbar pull	791 kN (177,150 lb)		794 kN (178,498 lb)	
Travel speeds	Forward	Reverse	Forward	Reverse
1st Low	3.0 km/h (1.9 mph)	3.7 km/h (2.3 mph)	3.0 km/h (1.9 mph)	3.7 km/h (2.3 mph)
High	3.9 km/h (2.4 mph)	4.7 km/h (2.9 mph)	4.0 km/h (2.5 mph)	4.8 km/h (3.0 mph)
2nd Low	5.1 km/h (3.2 mph)	6.1 km/h (3.8 mph)	5.1 km/h (3.2 mph)	6.1 km/h (3.8 mph)
High	6.6 km/h (4.1 mph)	7.9 km/h (4.9 mph)	6.6 km/h (4.1 mph)	7.9 km/h (4.9 mph)
3rd Low	8.0 km/h (5.0 mph)	9.6 km/h (6.0 mph)	8.0 km/h (5.0 mph)	9.6 km/h (6.0 mph)
High	10.3 km/h (6.4 mph)	12.3 km/h (7.6 mph)	10.3 km/h (6.4 mph)	12.3 km/h (7.6 mph)
Brakes				
Service	Spring applied hydraulically released multi-disc wet brakes. Foot pedal piloted control.		Spring applied hydraulically released multi-disc wet brakes. Foot pedal piloted control.	
Parking	The steering brakes also act as service and parking brakes. Service brakes are locked automatically when the transmission safety lever is actuated or when the engine is cut off.		The steering brakes also act as service and parking brakes. Service brakes are locked automatically when the transmission safety lever is actuated or when the engine is cut off.	

HYDRAULICS

	TD-25M Extra	TD-25R Extra
Type	Open-center hydraulic system with fixed-displacement multiple-pump vane type	Open-center hydraulic system with fixed-displacement multiple-pump vane type
Pump displacement	313.5 l/min (82.8 gpm)	313.5 l/min (82.8 gpm)
System relief pressure	Blade lift & ripper 17.2 MPa (2,500 psi); blade tilt 18.4 MPa (2,670 psi)	Blade lift & ripper 17.2 MPa (2,500 psi); blade tilt 18.4 MPa (2,670 psi)
Control	Single joystick lever	Single joystick lever

ELECTRICAL

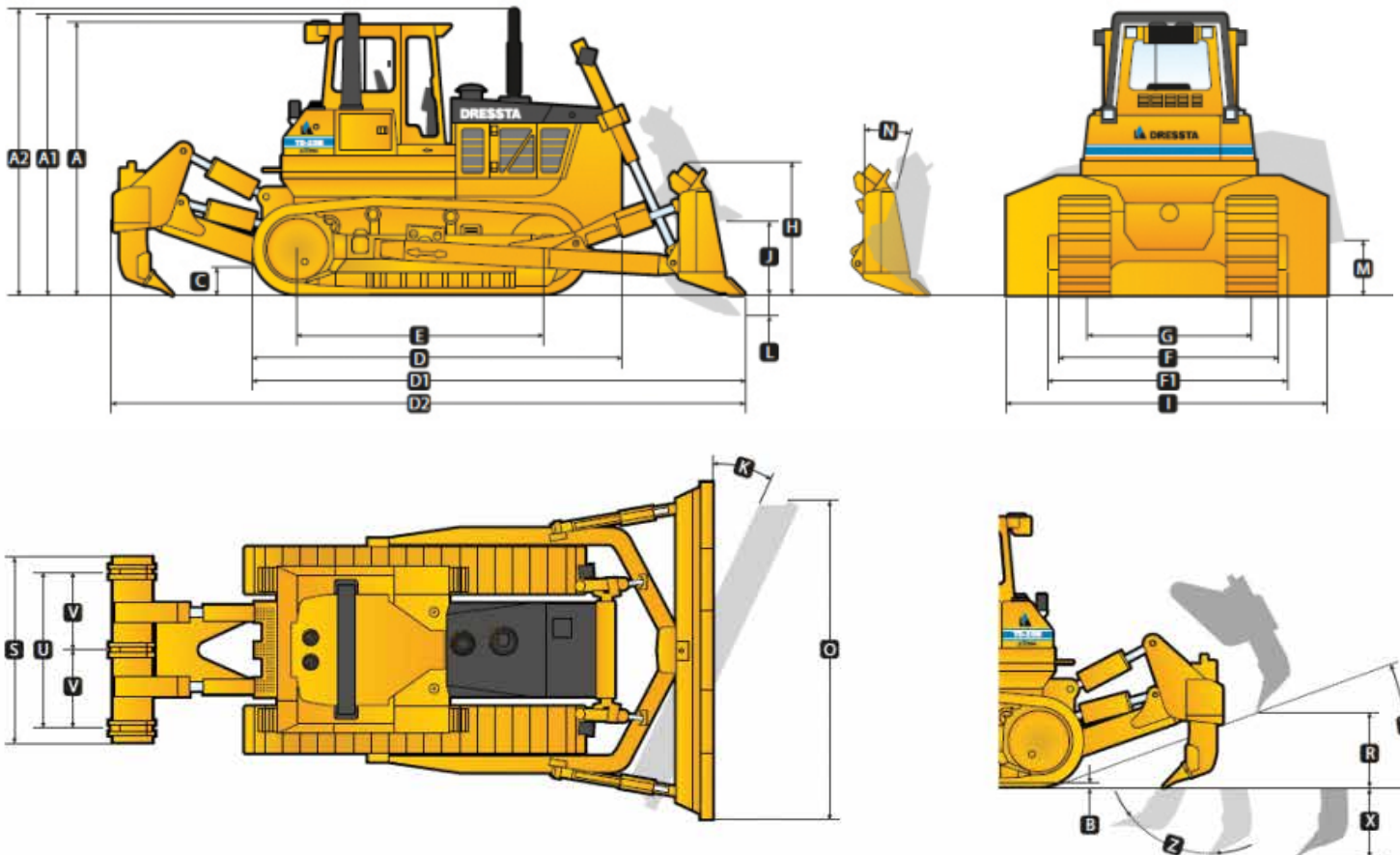
	TD-25M Extra	TD-25R Extra
Voltage	24 V	24 V
Number of batteries	4	4
Battery capacity	960 CCA	960 CCA
Alternator rating	100 A	100 A
Lights	8 total; cab mounted (2F & 2R), 2F lift cylinders and 2R fuel tank mounted	8 total; cab mounted (2F & 2R), 2F lift cylinders and 2R fuel tank mounted

SERVICEABILITY

	TD-25M Extra	TD-25R Extra
Refill capacities		
Fuel tank	825 l (218 US gal.)	770 l (203 US gal.)
Cooling system	56 l (15 US gal.)	67.5 l (18 US gal.)
Engine oil	49 l (13 US gal.)	49 l (13 US gal.)
Transmission system	240 l (63 US gal.)	240 l (63 US gal.)
Final drive, each side	64 l (16.9 US gal.)	64 l (16.9 US gal.)
Hydraulic reservoir	130 l (34 US gal.)	130 l (34 US gal.)
Adblue	NA	38 l (10 US gal.)

OPERATING WEIGHTS

	TD-25M Extra	TD-25R Extra
Base weight with Semi-U blade w/tilt, single-shank ripper, standard equipment, cab ROPS/FOPS, full fuel tank, and 79 kg [175 lb.] operator	RIGID: 41500 kg (91,491 lb.) BOGIE: 42 240 kg (93,123 lb.)	RIGID: 41250 kg (90,940 lb.) BOGIE: 41 990 kg (92,571 lb.)
Optional components		
Ripper w/3 shanks	456 kg (1,874 lb.)	456 kg (1,874 lb.)
Track shoes		
610 mm (24 in.)	225 kg (495 lb.)	231 kg (509 lb.)
660 mm (26 in.)	474 kg (1,045 lb.)	487 kg (1,074 lb.)
711 mm (28 in.)	655 kg (1,445 lb.)	667 kg (1,470 lb.)



MACHINE DIMENSIONS

Type	TD-25M Extra & TD-25R Extra			
	Semi-U	Full-U	Angle	Coal
A Overall height - FOPS cab	3670 mm (12 ft)	3670 mm (12 ft)	3670 mm (12 ft)	3670 mm (12 ft)
A1 Overall height - ROPS	3800 mm (12 ft. 6 in.)	3800 mm (12 ft. 6 in.)	3800 mm (12 ft. 6 in.)	3800 mm (12 ft. 6 in.)
A2 Overall height - end of exhaust pipe	3930 mm (12 ft. 11 in.)	3930 mm (12 ft. 11 in.)	3930 mm (12 ft. 11 in.)	3930 mm (12 ft. 11 in.)
B Grouser height	76 mm (3 in.)	76 mm (3 in.)	76 mm (3 in.)	76 mm (3 in.)
C Ground clearance	575 mm (22.6 in.)	575 mm (22.6 in.)	575 mm (22.6 in.)	575 mm (22.6 in.)
C Ground clearance (BOGIE)	580 mm (22.8 in.)	580 mm (22.8 in.)	580 mm (22.8 in.)	580 mm (22.8 in.)
D Overall length, base machine	5070 mm (16 ft. 7 in.)	5070 mm (16 ft. 7 in.)	5070 mm (16 ft. 7 in.)	5070 mm (16 ft. 7 in.)
D1 Length with blade and drawbar	6880 mm (22 ft. 7 in.)	7150 mm (23 ft. 5 in.)	6890 mm (22 ft. 7 in.)	7530 mm (24 ft. 8 in.)
D2 Length with blade and 1-shank / 3-shank ripper	8940 mm/8380 mm (29 ft. 4 in./27 ft 6 in.)	9210 mm/8650 mm (29 ft. 4 in./27 ft 6 in.)	8950 mm/8390 mm (29 ft. 4 in./27 ft 6 in.)	9030 mm (29 ft. 8 in.)
E Track length on ground M Extra	3150 mm (10 ft. 4 in.)	3150 mm (10 ft. 4 in.)	3150 mm (10 ft. 4 in.)	3150 mm (10 ft. 4 in.)
Track length on ground R Extra	3270 mm (10 ft. 4 in.)	3270 mm (10 ft. 4 in.)	3270 mm (10 ft. 4 in.)	3270 mm (10 ft. 4 in.)
F Width over track	2700 mm (8 ft. 10 in.)	2700 mm (8 ft. 10 in.)	2700 mm (8 ft. 10 in.)	2700 mm (8 ft. 10 in.)
F1 Width over trunnions	3210 mm (10 ft. 6 in.)	3210 mm (10 ft. 6 in.)	3210 mm (10 ft. 6 in.)	3210 mm (10 ft. 6 in.)
G Track gauge	2140 mm (7 ft.)	2140 mm (7 ft.)	2140 mm (7 ft.)	2140 mm (7 ft.)

BLADE SPECS

Type	TD-25M Extra & TD-25R Extra			
	Semi-U	Full-U	Angle	Coal
SAE capacity	9.6 m ³ (12.5 cu. yd.)	11.5 m ³ (15.0 cu. yd.)	5.7 m ³ (7.4 cu. yd.)	21.0 m ³ (27.5 cu. yd.)
H Blade height	1760 mm (5 ft. 9 in.)	1760 mm (5 ft. 9 in.)	1260 mm (4 ft. 1 in.)	2100 mm (6 ft. 11 in.)
I Blade width	4050 mm (13 ft. 3 in.)	4350 mm (14 ft. 3 in.)	4950 mm (16 ft. 3 in.)	5610 mm (18 ft. 5 in.)
J Blade lift height	1270 mm (4 ft. 2 in.)	1270 mm (4 ft. 2 in.)	1370 mm (4 ft. 6 in.)	1270 mm (4 ft. 2 in.)
K Blade angle	-	-	25°	-
L Blade digging depth	600 mm (23.6 in.)	600 mm (23.6 in.)	660 mm (26 in.)	600 mm (23.6 in.)
M Maximum tilt	880 mm (34.6 in.)	945 mm (37.2 in.)	435 mm (17.1 in.)	1220 mm (48 in.)
N Maximum blade pitch adjustment	10°	10°	-	10°
O Overall width with blade angled	-	-	4590 mm (15 ft. 1 in.)	-

RIPPER

Parallelogram ripper with hydraulic pitch adjustment

	TD-25M Extra & TD-25R Extra		
	Standard	Deep	Multi-shank (3-shank)
R Maximum clearance under tip (raised)	770 mm (30.3 in.)	760 mm (29.9 in.)	868 mm (34.2 in.)
S Overall beam width	1450 mm (57 in.)	1450 mm (57 in.)	2485 mm (98 in.)
T Slope angle (fully raised)	30.8°	30.8°	30.8°
U Ripping width	-	-	2134 mm (84 in.)
V Spacing center to center	-	-	1067 mm (42 in.)
X Maximum penetration	1250 mm (49.2 in.)	1,700 mm (66.9 in.)	760 mm (29.9 in.)
Z Maximum pitch adjustment	25.1°	25.1°	25.1°
Penetration force	132.5 kN (29,768 lb.)	132.5 kN (29,768 lb.)	131.2 kN (29,494 lb.)
Pryout force	377.7 kN (84,907 lb.)	377.7 kN (84,907 lb.)	353.5 kN (79,467 lb.)
Shank positions (vertical)	4	6	2
Weight of ripper w/ 1 shank	5280 kg (11,630 lb.)	5370 kg (11,840 lb.)	5100 kg (11,630 lb.)
Weight of shank	-	-	318 kg (700 lb.)