

TD-25M LA Extra

CRAWLER DOZERS

EPA Tier 3/EU Stage IIIA
STANDARD

ENGINE

| | TD-25M LA Extra |
|--|---|
| Make and model | Cummins QSX15 |
| Emissions standard | EPA Tier 3/EU Stage IIIA |
| Displacement | 15 l (912 in ³) |
| Bore and stroke | 137 x 169 mm (5.39 x 6.65 in) |
| Gross horsepower, SAE J1995 | 280 kW (375 hp) |
| Net horsepower, SAE J1349/ ISO 9249 | 246 kW (330 hp) |
| Rated rpm | 1800 |
| Max. torque | 1825 Nm (1346 lb-ft) |
| Air cleaner | 2-stage, dry type, with dash mounted electronic service indicator |
| Cold-starting aid | intake- mounted air -inlet grid heater |
| Slope operation, max. angle | 45 deg |

COOLING

| | TD-25M LA Extra |
|-----------------------|--|
| Type | suction- type variable-speed fan, hydraulically driven with perforated engine side sheets and heavy duty louvered front grill |
| Engine coolant rating | -37 deg C (-34 deg F) |

OPERATOR STATION

| | TD-25M LA Extra |
|------|------------------------|
| ROPS | ROPS (ISO 3471 - 2008) |
| FOPS | FOPS (ISO 3449 - 2005) |

HYDRAULICS

| | TD-25M LA Extra |
|----------------------------|--|
| Type | Open-center hydraulic system with fixed-displacement multiple-pump vane type |
| Pump displacement | 313.5 l/min (82,8 gpm) |
| System relief pressure | blade lift & ripper 17.2 MPa (2500 psi) blade tilt 18.4 MPa (2670 psi) |
| Control | Single joystick lever |
| Cylinders, bore and stroke | |
| lift | 127 x 1460 mm (5.0" x 57.5") |
| tilt | 200 x 130 mm (7.9" x 5.1") |
| tilt/pitch | 185 /200 x 130 mm (7.3"/7.9" x 5.1") |

UNDERCARRIAGE

| | TD-25M LA Extra |
|--------------------------------------|--|
| Suspension | Oscillation-type with equalizer bar and forward mounted pivot shafts |
| Tracks | Large deep-heat-treated, sealed, and lubricated track links and through-hardened, sealed, and lubricated rollers for maximum wear resistance |
| Track gauge | 2140 mm (7 ft) |
| Track shoe width | 560 mm (22 in) |
| Chain | Sealed and lubricated |
| Shoes, each side | 38 |
| Track rollers, each side | 7 |
| Track length on ground | 3150 mm (10 ft 4 in) |
| Ground Contact Area -560 mm shoes | 35000 cm ² (5456 sq. in) |
| Ground pressure | 105 kPa (15 psi) |
| Track pitch | 250 mm (9.86 in) |
| Sprocket sements, each side | 8 |

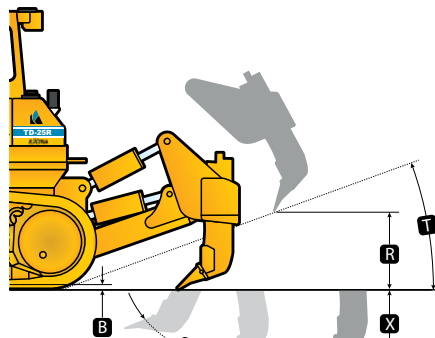
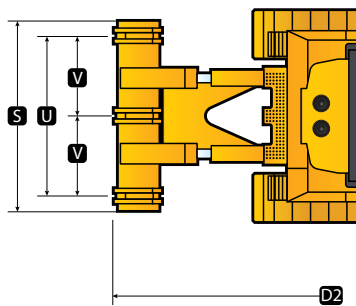
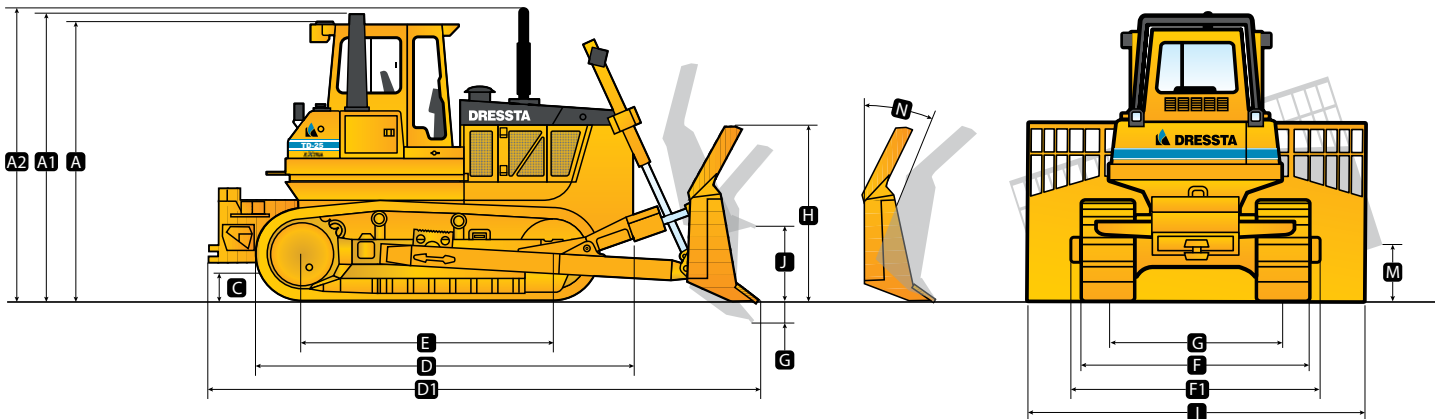
ELECTRICAL

| | TD-25M LA Extra |
|---------------------|---|
| Voltage | 24 V |
| Number of batteries | 4 |
| Battery capacity | 960 CCA |
| Alternator rating | 100A |
| Lights | 8 total; cab mounted (2F& 2R), 2F lift cylinders and 2R fuel tank mounted |

MACHINE DIMENSIONS

TD-25M LA Extra

| Type | Semi-U w/trash rack | Full-U w/trash rack |
|---|---|--|
| A Overall height - FOPS Cab | 3670 mm (12 ft) | 3670 mm (12 ft) |
| A1 Overall height - ROPS | 3800 mm (12 ft 6 in) | 3800 mm (12 ft 6 in) |
| A2 Overall height - end of exhaust pipe | 3930 mm (12 ft 11 in) | 3930 mm (12 ft 11 in) |
| B Grouser height | 76 mm (3 in) | 76 mm (3 in) |
| C Ground clearance | 575 mm (22.6 in) | 575 mm (22.6 in) |
| D Overall length, base machine | 5070 mm (16 ft 7 in) | 5070 mm (16 ft 7 in) |
| D1 D1 Length with Blade, counter-weight & striker bars | 7030 mm (23 ft 1 in) | 7320 mm (24 ft) |
| D2 D2 Length with Blade and 1-shank /3-shank Ripper & striker bars | 8940 mm /8380 mm (29 ft 4 in /27 ft 6 in) | 9210 mm /8650 m (29 ft 4 in /27 ft 6 in) |
| E Track length on ground | 3150 mm (10 ft 4 in) | 3150 mm (10 ft 4 in) |
| F Width over track | 2700 mm (8 ft 10 in) | 2700 mm (8 ft 10 in) |
| F1 Width over trunnions | 3210 mm (10 ft 6 in) | 3210 mm (10 ft 6 in) |
| G Track gauge | 2140 mm (7 ft) | 2140 mm (7 ft) |



BLADE SPECS

TD-25M LA Extra

| Type | Semi-U w/trash rack | Full-U w/trash rack |
|---|----------------------------------|----------------------------------|
| SAE capacity | 20.6 m ³ (26.9 cu yd) | 25.5 m ³ (33.4 cu yd) |
| H Blade height | 2500 mm (8 ft 2.4 in) | 2560 mm (8 ft 4.8 in) |
| I Blade width | 4050 mm (13 ft 3 in) | 4350 mm (14 ft 3 in) |
| J Blade lift height | 1270 mm (4 ft 2 in) | 1270 mm (4 ft 2 in) |
| L Blade digging depth | 600 mm (23.6 in) | 600 mm (23.6 in) |
| M Maximum tilt | 880 mm (34.6 in) | 945 mm (37.2 in) |
| N Maximum blade pitch adjustment | 10 deg | 10 deg |

RIPPER

TD-25M LA Extra

| Type | Parallelogram ripper with hydraulic pitch adjustment | | |
|---|--|----------------------------|--------------------------|
| | Single-shank (Standard) | Single-shank (Deep Dig) | Multi-shank (3-shank) |
| R Maximum clearance under tip (raised) | 770 mm (30.3 in) | 760 mm (29.9 in) | 868 mm (34.2 in) |
| S Overall beam width | 1450 mm (57 in) | 1450 mm (57 in) | 2485 mm (98 in) |
| T Slope angle (full raise) | 30.8 deg | 30.8 deg | 30.8 deg |
| U Ripping width | - | - | 2134 mm (84 in) |
| V Spacing center to center | - | - | 1067 mm (42 in) |
| X Maximum penetration | 1250 mm (49.2 in) | 1700 mm (66.9 in) | 760 mm (29.9 in) |
| Z Maximum pitch adjustment | 25.1 deg | 25.1 deg | 25.1 deg |
| Penetration force | 132.5 kN (29,768 lb) | 132.5 kN (29,768 lb) | 131.2 kN (29,494 lb) |
| Pryout force | 377.7 kN (84,907 lb) | 377.7 kN (84,907 lb) | 353.5 kN (79,467 lb) |
| Shank positions (vertical) | 4 | 6 | 2 |
| Weight of ripper incl. shank(s) | 5280 kg (11,630 lb) | 5370 kg (11,840 lb) | 5736 kg (12,646 lb) |
| Weight of shank | 540 kg (1,190 lb) | 634 kg (1,397 lb) | 318 kg (700 lb) |

OPERATING WEIGHTS

TD-25M LA Extra

| | |
|--|---------------------|
| Base Weight with Semi-U blade w/trash rack, counterweight, standard landfill equipment, Cab ROPS/FOPS, full fuel tank, and 79-kg (175 lb) operator | 42010 kg (92615 lb) |
| Optional components | |
| Full-U Blade 25.5 m ³ | 660 kg (1455 lb) |
| Ripper w/3 shanks | 3650 kg (8047 lb) |
| Track shoes w/cleanout holes | |
| 610 mm (24 in) | + 225 kg (495 lb) |
| 660 mm (26 in) | + 474 kg (1045 lb) |
| 711 mm (28 in) | + 655 kg (1445 lb) |

SERVICEABILITY

TD-25M LA Extra

| Refill capacities | |
|------------------------|--------------------|
| Fuel tank | 825 l (218 US gal) |
| Cooling system | 56 l (15 US gal) |
| Engine oil | 49 l (13 US gal) |
| Transmission system | 240 l (63 US gal) |
| Final drive, each side | 64 l (16.9 US gal) |
| Hydraulic reservoir | 130 l (34 US gal) |

POWERTRAIN

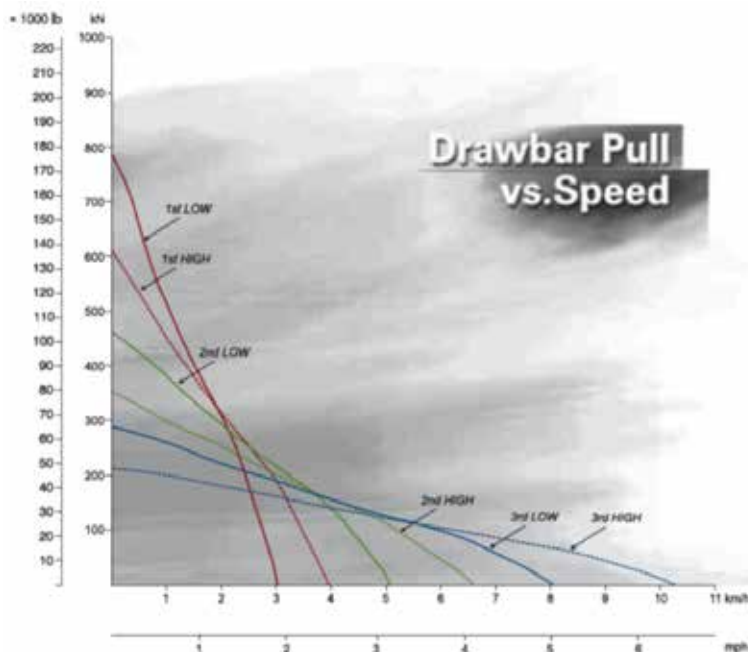
TD-25M LA Extra

| | | | |
|---------------|--|------------------------|------------------------|
| Transmission | Single stage 415 mm (16 in) torque converter with a 2.45:1 stall ratio drives to transmission through a double universal joint. Modular, countershaft type power shift transmission, electro-hydraulic control. Preset travel speed and auto-downshift | | |
| Steering | Exclusive 2-speed geared steering module provides gradual turns while maintaining full power to both tracks plus conventional clutch-brake performance for tight or pivot turns. Coupled to 3-speed transmission, the 2-speed steering provides 6 speeds forward and 6 reverse. The left hand joystick controls transmission and steering drive for up and down shifting, steering, Hi/Lo selection and LH/ RH gradual turn. | | |
| Final drives | Double-reduction planetary type final drives mounted independently of track frames and dozer push arms for isolation from shock loads | | |
| Total ratio | 25.5 to 1 | | |
| Travel speeds | | | |
| | Range | Forward | Reverse |
| 1st | Low | 3.0 km/h (1.9 mph) | 3.7 km/h (2.3 mph) |
| | High | 3.9 km/h (2.4 mph) | 4.7 km/h (2.9 mph) |
| 2nd | Low | 5.1 km/h (3.2 mph) | 6.1 km/h (3.8 mph) |
| | High | 6.6 km/h (4.1 mph) | 7.9 km/h (4.9 mph) |
| 3rd | Low | 8.0 km/h (5.0 mph) | 9.6 km/h (6.0 mph) |
| | High | 10.3 km/h (6.4 mph) | 12.3 km/h (7.6 mph) |

| | | |
|------------------------|---------------------|---------------------------|
| Maximum drawbar pull | 794 kN (178,498 lb) | |
| Drawbar Pull - Speed 1 | kN (lbf) | 791 (177824) - 1st Low |
| Drawbar Pull - Speed 1 | '000 kgf ('000 lbf) | 80.66 (177.82) - 1st Low |
| Drawbar Pull - Speed 2 | kN (lbf) | 606 (136234) - 1st High |
| Drawbar Pull - Speed 2 | '000 kgf ('000 lbf) | 61.79 (136.23) - 1st High |
| Drawbar Pull - Speed 3 | kN (lbf) | 465 (104536) - 2nd Low |
| Drawbar Pull - Speed 3 | '000 kgf ('000 lbf) | 47.42 (104.53) - 2nd Low |
| Drawbar Pull - Speed 4 | kN (lbf) | 344 (77334) - 2nd High |
| Drawbar Pull - Speed 4 | '000 kgf ('000 lbf) | 35.08 (77.33) - 2nd High |
| Drawbar Pull - Speed 5 | kN (lbf) | 281 (63171) - 3rd Low |
| Drawbar Pull - Speed 5 | '000 kgf ('000 lbf) | 28.65 (63.17) - 3rd Low |
| Drawbar Pull - Speed 6 | kN (lbf) | 207 (46535) - 3rd High |
| Drawbar Pull - Speed 6 | '000 kgf ('000 lbf) | 21.11 (46.53) - 3rd High |

Brakes

| | |
|---------|---|
| Service | Spring applied hydraulically released multi-disc wet brakes. Foot pedal piloted control |
| Parking | The steering brakes also act as service and parking brakes. Service brakes are locked automatically when the transmission safety lever is actuated or when the engine is cut off. |



STANDARD EQUIPMENT TD-25M LA Extra

ENGINE

Engine, Cummins QSX15, Tier 3, emission certified, turbocharged, direct start, direct injection, 246 kW (330 fwhp)

Air cleaner, dry type, with exhaust aspirated primary, safety elements and service indicator. Includes turbine type precleaner with debris guard

Antifreeze, -34°F (-37°C)

Cooling module; includes radiator, transmission oil cooler, hydraulic oil/fan drive oil cooler, fuel cooler, charge air cooler (CAC); isolation mounted, steel debris deflector bars, below engine side doors

Coolant filter conditioner

Exhaust resonator with elbow

Fan, hydraulically driven, suction type, variable speed, variable blade pitch system, airflow reversible

Filters, engine oil, full flow and by-pass with replaceable "spin-on" elements

Fuel strainer

Muffler, under engine hood, insulated

Water separator, fuel system

DRIVETRAIN

Torque converter, single stage

Transmission, power shift, 3 speeds forward, 3 reverse, combined with 2 speed steering provides 6 speeds forward, 6 reverse, preset travel speed selection and auto-downshift

Steering, planetary type, 2 speed, left hand single lever control (joystick)

Filters, power train, equipment hydraulics, "spin-on" micro glass type

Brakes, foot, spring applied, hydraulically released

Decelerator - right foot pedal, and brake - center foot pedal

OPERATOR'S ENVIRONMENT

Air conditioner/heater/pressurizer/defroster, underseat mounted; behind roof mounted A/C condenser

AM/FM radio ready

Cab with 2 post ROPS, with sound suppression, 4 wipers w/ washers, inside mirror, dome light, tinted safety glass and air recirculation system (approved according to ROPS - SAE J1040 and FOPS - SAE J231)

Seat, air suspension type, fabric cover, adjustable with arm rests, swivel 14° to right

Seat belt (SAE J386) - 3" wide, retractable

Sun visor for front cab window

Tools compartment

INSTRUMENTATION

Engine ECM failure warning lights and switches

Gear, range, drive train and engine diagnostic display

Gauges: fuel level, engine coolant temperature, engine oil pressure, torque converter oil temperature, voltmeter, hourmeter, tachometer

Warning lights: air cleaner filter, transmission oil filters, hydraulic oil filters, transmission/clutch oil, oil high temperature, fan drive oil filter

Audible and visual warning system: low engine, coolant level, low engine oil pressure

ELECTRICAL

Alarm, back-up

Alternator 100 A

Batteries (4) 12 V, 1920 CCA, cold start, maintenance free

Horn, electric

Lights for cab, 2 front, 2 rear

Lights with guards, 2 front - lift cylinders mounted, 2 rear - fuel tank mounted

Portable lamp receptacle, 24 V

Receptacle, starting/charging plug

Starting, 24 V

Starting aid - air grid heater

UNDERCARRIAGE

Track adjusters, hydraulic

Track chain, sealed and lubricated (LTS) with split master link, 38 links

Track chain guides, integral

Track frame, 7 roller, 2140 mm (84") gauge, oscillating type, lifespan lubricated rollers and idlers

Track shoes, 560 mm (22"), grouser type, with clean out holes

GUARDS

Crankcase, hinged with electrical winch for lowering, with front pull hook, transmission, fan, radiator,

sprocket rock and dirt deflector

Engine hood, solid, sloped

Engine side doors, hinged, perforated type

Final drive seal guard

Radiator guard doors, louvered, two-piece, hinged

HYDRAULIC CONTROLS

3-spool valve, 1 lever with pilot operated blade control (lift/tilt), ready for ripper

OTHER STANDARD EQUIPMENT

Cylinders, lift, with quick drop valve

Diagnostic centers for power train and equipment hydraulic pressures

Drawbar, fixed

Ecological drains for engine oil, radiator coolant and hydraulic oil

Manuals, parts and operator's

Rear access platform

Striker bars, front (LH&RH)

Striker bars, rear (LH&RH) include rigid drawbar, provide handy storage space for counterweight (6 vertical plates) include 3 plates

OPTIONAL EQUIPMENT TD-25M LA Extra

BLADE EQUIPMENT

Cylinders, lift, with quick drop valve
Diagnostic centers for power train and equipment hydraulic pressures
Drawbar, fixed
Ecological drains for engine oil, radiator coolant and hydraulic oil
Manuals, parts and operator's
Rear access platform
Striker bars, front (LH&RH)
Striker bars, rear (LH&RH) include rigid drawbar, provide handy storage space for counterweight (6 vertical plates) include 3plates

REAR MOUNTED EQUIPMENT

* Drawbar, counterweight, 1860 kg (4100 lbs)
* Additional counterweight (cast), 2004 kg (4410 lbs); recommended for use with large coal or landfill blades
* Ripper, multi-shank with three shanks, partially mounted, with hydraulic pitch, includes deduct for drawbar, with rear strikes bars
* Ripper single-shank beam, with hydraulic pitch, standard or deep dig, with hydraulic pin puller and shank, partially mounted, includes deduct for drawbar, with rear strike bars

TRACK SHOES

610 mm (24") shoes, with clean out holes
660 mm (26") shoes, with clean out holes
711 mm (28") shoes, with clean out holes,
(not recommended for use with ripper)

OPERATOR'S ENVIRONMENT

Heater/pressurizer/defroster, cab without air conditioner (A/C)

For use with cab:

- Air recirculation system with MSHA filters, severe service
- AM/FM CD radio
- Mirrors, 2 pcs, exterior
- Sun visors (2), additional, for side door windows
- Lights, 2 additional, ROPS mounted
- Lights, additional, ROPS mounted, 2 front, 2 rear or side

Canopy ROPS/FOPS

Includes vinyl seat, operator platform covers, instrument panel guard and lights, 2 front, 2 rear.

ROPS structure for use with sweeps

Includes vinyl seat, operator platform covers and instrument panel guard

SCREENS

Sweeps, forestry, front and rear, for standard cab with ROPS or open ROPS machine; include exhaust pipe extension with guard and guard for fuel tank and hydraulic reservoir
Screen, rear (required for winch application), for use with forestry sweeps
Screens for cab windows (front, rear, side, doors) bolted, black painted
Screens for cab lights (2 front, 2 rear), black painted
Screens for tractor lights (2 front, 2 rear)
Screens for ROPS mounted lights, (2 front)

GUARDS

Final drive rock guard
Track roller guards, full length
Transmission and engine crankcase guards, severe service
Engine hood, perforated
Tank guard, bolted (0.5" plate protects fuel tank and hydraulic reservoir)

ADDITIONAL OPTIONS

Sound suppression package, for use with std solid hood or with perforated hood, includes sound suppressed radiator guard doors
Inspection lamp, 24 V, portable, with 6 m (20') cable
Starting/charging receptacle plug assembly (required to jump start or charge batteries) with 15 ft cable
Vandalism protection for use with engine enclosures
Maintenance tool kit, 17 items in a metal box
1000 h maintenance package (filters)
2000 h maintenance package (filters)
2000 h maintenance package (filters)
4000 h maintenance package (filters)

EXPORT PACKING

Export packing, drive-on/drive-off, machine on the trailer, cab crated
Export packing, drive-on/drive-off, machine on the railway wagon

SFRs

Centralized Lubricating System
Trimble Ready Option, factory preinstalled hydraulics, harness and brackets for the Trimble Grade Control System components

At Dressta we take pride in innovating to help our customers to achieve more in the jobs they do.

Our dedicated team of application engineers can customize designs, modify standard equipment and adapt attachments for peak performance in specific application tasks, improving productivity and bottom line results.

Do you have a Special Feature Request? See how Dressta can help you achieve more in the jobs you do.

Specifications may change from time to time and this brochure may not reflect the latest specifications. Photographs in this brochure may not reflect market configuration. Please consult your dealer to confirm specifications and configurations.



Dressta encourages safe worksites.
Please consult operator's manual before use of any Dressta equipment.



info@dressta.com
www.dressta.com

DR-SP-TD25MLA-T3-A4-11052017-ENG