

# TD-20M Extra

## CRAWLER DOZERS

EPA Tier 3 / EU Stage IIIA  
STANDARD, LT, LGP

### ENGINE

	TD-20M Extra
Make and model	Cummins QSC 8.3
Emissions standard	EPA Tier 3/EU Stage IIIA
Displacement	8.3l (505 in <sup>3</sup> )
Bore and stroke	114x135 (4.49 x 5.32 in)
Gross horsepower, SAE J1995	194 kW (260hp)
Net horsepower, SAE J1349/ ISO 9249	179 kW (240hp)
Rated rpm	2200
Max. torque	1180 Nm (870 lb-ft)
Air cleaner	2-stage, dry type , with dash mounted electronic service indicator
Cold-starting aid	intake- mounted air -inlet grid heater
Slope operation, max. angle	45 deg

### HYDRAULICS

	TD-20M Extra
Type	Open-center hydraulic system with fixed-displacement multiple-pumps vane type
Pump displacement	177.2 l/min (46.8 gpm)
System relief pressure	blade lift & ripper 16.9 MPa (2500 psi); blade tilt 17.9 MPa (2600 psi)
Control	single joystick lever
Cylinders,bore and stroke	
lift	110 x 1300 mm (4.33" x 51.18")
tilt	180 x 146.5 mm (7.09" x 5.73")
tilt/pitch	180/165.1 x 146.5 mm (7.09"/6.5" x 5.73")

### COOLING

	TD-20M Extra
Type	suction- type variable-speed fan, hydraulically driven with perforated engine side sheets and heavy duty louvered front grill
Engine cooling rating	-37 deg C (-34 deg F)

### OPERATOR STATION

	TD-20M Extra
ROPS	ROPS (ISO 3471 - 2008)
FOPS	FOPS (ISO 3449 - 2005)

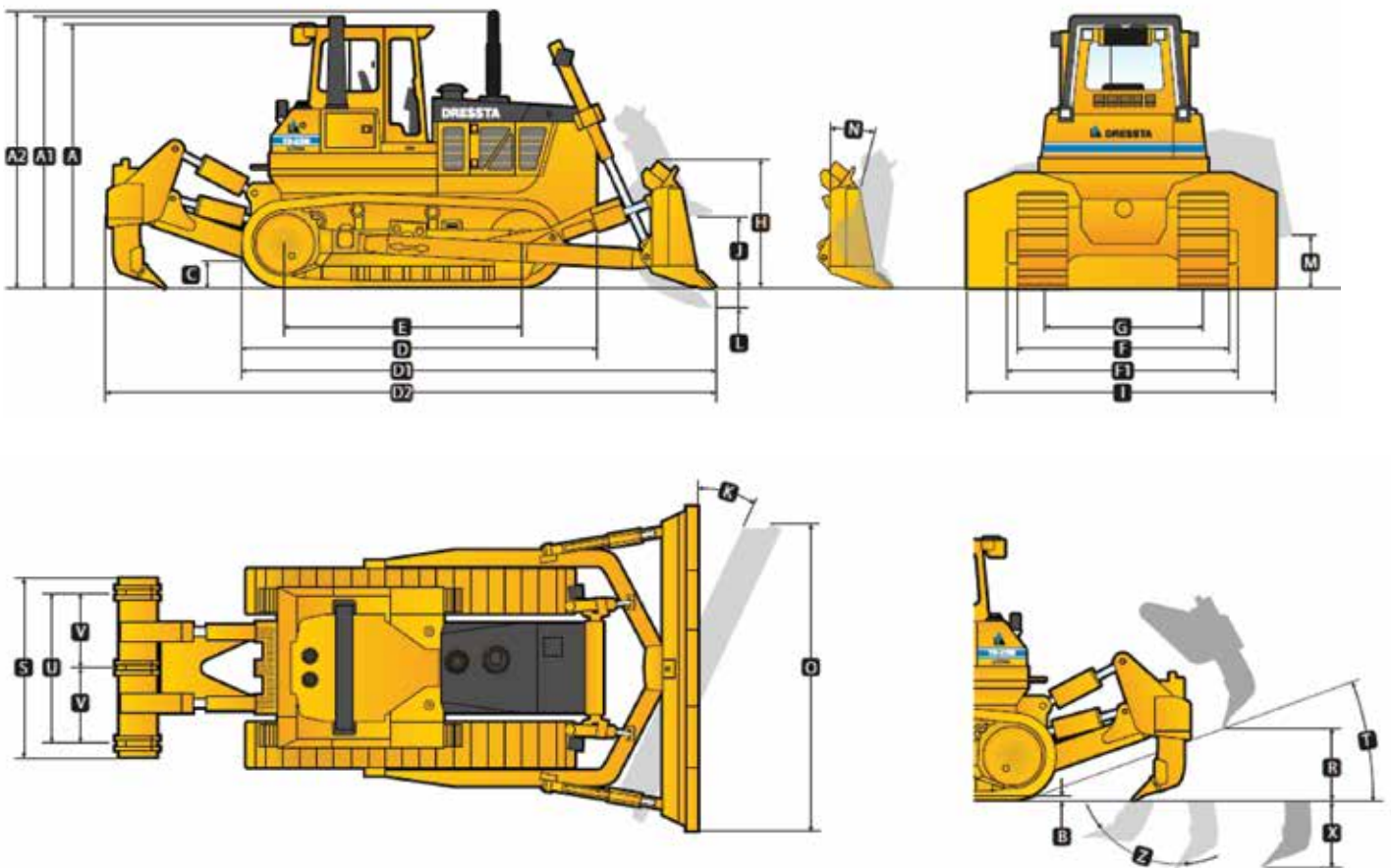
### ELECTRICAL

	TD-20M Extra
Voltage	24 V
Number of batteries	2
Battery capacity	815 CCA
Alternator rating	50 A
Lights	8 total; cab mounted (2F& 2R), 2F lift cylinders and 2R fuel tank mounted.

# MACHINE DIMENSIONS

## TD-20M Extra

<b>A</b> Overall height - FOPS Cab	3480 mm (137 in)
<b>A1</b> Overall height - ROPS	3570 mm ( 141 in)
<b>A2</b> Overall height - end of exhaust pipe	3930 mm (12 ft 11 in)
<b>B</b> Grouser height	67 mm (2.63 in)
<b>C</b> Ground clearance	460 mm (18.1 in)
<b>D</b> Overall length, base machine	4340 m (171 in)
<b>D1</b> Length with blade	"STD 5690 m (18 ft 8 in) LT 5910 (19ft 5in)"
<b>D2</b> Length with blade and 1-shank / 3-shank ripper	"STD 6.89 m / 7.05 m (22 ft 7 in / 23 ft 2 in ) LT 7.11m / 7.27m (23ft 4 in /23 ft 10in)"
<b>E</b> Track length on ground	"STD 2860 mm (113 in) LT 3080 mm (121 in)"
<b>F</b> Width over track	2540 mm ( 100 in)
<b>F1</b> Width over trunnions	2890 mm (9 ft 6 in)
<b>G</b> Track gauge	1980 mm (78 in)



## BLADE SPECS

		TD-20M Extra			
Type	Semi-U	Full-U	Angle	Straight LGP	
SAE capacity	7.04 m3 (9.2 cu yd)	8.45 m3 (11.1 cu yd)	3.88 m3 (5.1 cu yd)	6.03 m3 (7.9 cu yd)	
<b>H</b> Blade height	1600 mm (5 ft 3 in)	1600 mm (5 ft 9 in)	1090 mm (43 in)	1360 mm (54 in)	
<b>I</b> Blade width	3500 mm (11 ft 6 in)	3860 mm (152 in)	4410 mm (174 in)	4370 mm (172 in)	
<b>J</b> Blade lift height	"TD 1150 mm (45 in) LT 1220 mm (48 in)	STD 1150 mm (45 in) LT 1220 mm (48 in)	STD 1160 mm (46 in) LT 1230 mm (48.4 in)"	1210 mm (47.6 in)	
<b>K</b> Blade angle	-	-	25 deg	-	
<b>L</b> Blade digging depth	STD 505 mm (19.9 in) LT 532mm (20.9 in)	STD 505 mm (19.9 in) LT 532mm (20.9 in)	STD 615 mm (24.2 in) LT 647mm (25.5in)	522 mm (20.6 in)	
<b>M</b> Maximum tilt	670 mm (26.3 in)	720 mm (28.3 in)	480 mm (19 in)	660 mm (26 in)	
<b>N</b> Maximum blade pitch adjustment	25 deg	25 deg	-		
<b>O</b> Overall width with blade angled	-	-	STD 5770 mm (18 ft 11 in) LT 5990 mm (19ft 8in)	-	

## RIPPER

		TD-20M Extra	
Type	Parallelogram ripper with hydraulic pitch adjustment		
	Single-shank (standard)	Multi-shank (3-shank)	
<b>R</b> Maximum clearance under tip (raised)	538 mm (21.2 in)	596 mm (23.5 in)	
<b>S</b> Overall beam width	1,383 mm (54 in)	2,130 mm (84 in)	
<b>T</b> Slope angle (full raise)	25°	25°	
<b>U</b> Ripping width	-	1,982 mm (78 in)	
<b>V</b> Spacing center to center	-	991 mm (39 in)	
<b>X</b> Maximum penetration	834 mm (32.8 in)	700 mm (27.6 in)	
<b>Z</b> Maximum pitch adjustment	25°	25°	
Penetration force	89.99 kN (20,230 lb)	91.1kN (20,479 lb)	
Pryout force	272.3 kN (61,213 lb)	282.2kN (63,439 lb)	
Shank positions (vertical)	2	2	
Weight of ripper incl. shank(s)	2845 kg (6,272 lb)	3292 kg (6,400 lb)	
Weight of shank	197 kg (434 lb)	196 kg (432 lb)	

## OPERATING WEIGHTS

	TD-20M Extra (STD & LT)	TD-20M Extra LGP
Base weight with semi-U blade w/tilt, drawbar, standard equipment, Cab ROPS/FOPS, full fuel tank, and 79 kg [175 lb] operator	STD 24200 kg (53352 lb) LT 24760 kg (54587 lb)	25230 kg (55623 lb)
<b>Optional components</b>		
Ripper w/3 shanks	+ 456 kg (1874 lb)	
<b>Track shoes</b>		
610 mm (24 in)	+ 176 kg (388 lb)	
660 mm (26 in)	+ 336 kg (775 lb)	

## SERVICEABILITY

		TD-20M Extra
<b>Refill capacities</b>		
Fuel tank		490 l (130 US gal)
Cooling system		50 l (13.5 US gal)
Engine oil		22.5 l (6 US gal)
Transmission system		173 l (45.8 US gal)
Final drive, each side		38 l (10 US gal)
Hydraulic reservoir		115 l (30.4 US gal)

# POWERTRAIN

## TD-20M Extra

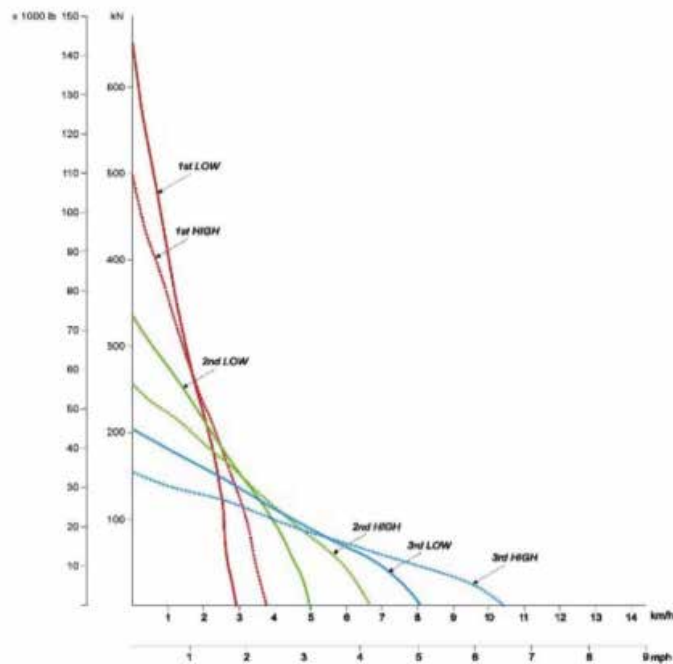
Transmission	Single stage 370 mm (14.6 in) torque converter with a 2:3:1 stall ratio drives to transmission through a double universal joint. Modular, countershaft type power shift transmission, electro-hydraulic control. Preset travel speed and auto-downshift.
Steering	Exclusive 2-speed geared steering module provides gradual turns while maintaining full power to both tracks plus conventional clutch-brake performance for tight or pivot turns. Coupled to 3-speed transmission, the 2-speed steering provides 6 speeds forward and 6 reverse. The left hand joystick controls transmission and steering drive for up and down shifting, steering, high/low selection and LH/RH gradual turn.
Final drives	Double-reduction planetary type final drives mounted independently of track frames and dozer push arms for isolation from shock loads.
Total ratio	17.56 to 1

Travel speeds			
Gear	Range	Forward	Reverse
		km/h (mph)	km/h (mph)
1st	Low	2.9 (1.8)	3.6 (2.3)
	High	3.7 (2.3)	4.5 (2.8)
2nd	Low	5.2 (3.2)	6.1 (3.8)
	High	6.7 (4.2)	8.0 (5.0)
3rd	Low	9.0 (5.6)	9.7 (6.0)
	High	10.6(6.6)	12.6(7.8)
Maximum drawbar pull		620 kN (139 382 lb)	

### Brakes

Service	Spring applied hydraulically released multi-disc wet brakes. Foot pedal-piloted control.
Parking	The steering brakes also act as service and parking brakes. Service brakes are locked automatically when the transmission safety lever is actuated or when the engine is cut off.

### Maximum drawbar pull 620 kN (139 382 lb)



# UNDERCARRIAGE

	<b>TD-20M Extra (STD &amp; LT)</b>	<b>TD-20M Extra LGP</b>
Suspension	Oscillation-type with equalizer bar and forward mounted pivot shafts	Oscillation-type with equalizer bar and forward mounted pivot shafts
Tracks	Large deep-heat-treated, sealed, and lubricated track links and through-hardened, sealed, and lubricated rollers for maximum wear resistance	Large deep-heat-treated, sealed, and lubricated track links and through-hardened, sealed, and lubricated rollers for maximum wear resistance
Track gauge	1980 mm (78in)	2180 mm (86 in)
Track shoe width	560 mm (22 in)	864 mm (34 in)
Chain	Sealed and lubricated	Sealed and lubricated
Shoes, each side	STD 40 LT 42	42
Track rollers, each side	7	7
Track length on ground	"STD 2860 mm (113in) LT 3080 mm (121 in)"	3080 mm (121 in)
Ground contact area	STD 32000 cm <sup>2</sup> (4972 sq in) LT 34 000cm <sup>2</sup> (5324 sq in)	53000 cm <sup>2</sup> (8228 sq in)
Ground pressure	STD 72.4 kPa LT 68.8 kPa	52 kPa
Track pitch	215.9 mm (8.5 in)	215.9 mm (8.5 in)
Sprocket sements, each side	1	1

# STANDARD EQUIPMENT TD-20M Extra

---

## ENGINE

Engine, Cummins QSC8.3, Tier 3, emission certified, turbocharged, direct start, direct injection, 179 kW (240 fwhp)  
Air cleaner, dry type with exhaust aspirated primary, safety elements and service indicator  
Antifreeze, -34°F (-37°C)  
Cooling module; includes radiator, transmission oil cooler, hydraulic oil/fan drive oil cooler, charge air cooler; isolation mounted  
Coolant filter conditioner  
Exhaust pipe extension with elbow  
Fan, hydraulically driven, suction type, variable speed  
Filters, engine oil, full flow and by-pass with replaceable "spin-on" elements  
Muffler, under engine hood, insulated  
Water separator, fuel system

---

## DRIVETRAIN

Torque converter, single stage  
Transmission, power shift, 3 speeds forward, 3 reverse, combined with 2 speed steering provides 6 speeds forward, 6 reverse, preset travel speed selection and auto-downshift  
Steering, planetary type, 2 speed, left hand single lever control (joystick)  
Filters, power train, equipment hydraulics, "spin-on" micro glass type  
Brakes, foot, spring applied, hydraulically released  
Decelerator - right foot pedal, and brake - center foot pedal  
Final drive, 2-stage, planetary

---

## OPERATOR'S ENVIRONMENT

Air conditioner/heater/pressurizer/defroster, underseat mounted, A/C condenser behind roof  
AM/FM radio ready  
Cab with 2 post ROPS, with sound suppression, 4 wipers w/ washers, inside mirror, dome light, tinted safety glass and air recirculation system (approved according to ROPS - SAE J1040 and FOPS - SAE J231)  
Seat, air suspension type, fabric cover, adjustable with arm rests, swivel 14° to right  
Seat belt (SAE J386) - 3" wide, retractable  
Sun visor for front cab window  
Tools compartment

---

## INSTRUMENTATION

Gauges: fuel level, engine coolant temperature, engine oil pressure, torque converter oil temp., voltmeter, hourmeter, joystick control display  
Warning lights: air cleaner filter, transmission oil filter, hydraulic oil filter, transmission/clutch oil low pressure  
Audible & visual warning system: low engine coolant level, low engine oil pressure

---

## ELECTRICAL

Alarm, back-up  
Alternator 50 A  
Dual batteries 12 V, 960 CCA, cold start, maintenance free  
Horn, electric  
Lights for cab, 2 front, 2 rear  
Lights with guards, 2 front - lift cylinders mounted, 2 rear - fuel tank mounted  
Receptacle, starting/charging plug  
Starting, 24 V  
Starting aid - air grid heater

---

## UNDERCARRIAGE (STD)

Track adjusters, hydraulic  
Track chain, sealed and lubricated (LTS) with split master link, 40 links  
Track chain end guides, integral  
Track frame, 6 roller, 1981 mm (78") gauge oscillating type, lifespan lubricated rollers and idlers  
Track shoes, 560 mm (22"), grouser type

---

## UNDERCARRIAGE (LT)

Track adjusters, hydraulic  
Track chain, sealed and lubricated (LTS) with split master link, 42 links  
Track chain center guides  
Track chain end guides, integral  
Track frame, 7 roller, 1981 mm (78") gauge, oscillating type, lifespan lubricated rollers and idlers  
Track shoes, 560 mm (22"), grouser type

---

## UNDERCARRIAGE (LGP)

Track adjusters, hydraulic  
Track chain, sealed and lubricated (LTS) with split master link, 42 links  
Track chain center guides  
Track chain end guides, integral  
Track frame, 7 roller, 2180 mm (86") gauge oscillating type, lifespan lubricated rollers and idlers  
Track shoes, 864 mm (34"), extreme clipped corner grouser type

---

## GUARDS

Crankcase, hinged, with front pull hook, transmission, fan, radiator, sprocket rock and dirt deflector  
Engine hood, solid, sloped  
Engine side doors, hinged, perforated type  
Final drive seal guard  
Radiator guard door, two-piece, louvered, hinged

---

## HYDRAULIC CONTROLS

3-spool valve, 1 lever with pilot operated blade control (lift/tilt), ready for ripper

---

## OTHER STANDARD EQUIPMENT

Diagnostic centers for power train and equipment hydraulic pressures  
Drawbar, rigid  
Ecological drains for engine oil, radiator coolant and hydraulic oil  
Manuals, parts and operator's  
Rear access platform  
Fuel strainer

# OPTIONAL EQUIPMENT TD-20M Extra

## BLADE EQUIPMENT (STD & LT)

**Semi-U**, 7.04 m<sup>3</sup> (9.2 yd<sup>3</sup>), complete with all blade components, includes hydraulic tilt and manual pitch or hydraulic pitch

**Full-U**, 8.45 m<sup>3</sup> (11.1 yd<sup>3</sup>), complete with all blade components, includes hydraulic tilt and manual pitch or hydraulic pitch

**Angle (manual angle)**, 3.88 m<sup>3</sup> (5.1 yd<sup>3</sup>), complete with all blade components, with or without hydraulic tilt

## BLADE EQUIPMENT (LGP)

**Straight**, 6.03 m<sup>3</sup> (7.9 yd<sup>3</sup>), complete with all blade components, includes hydraulic tilt and manual pitch

## REAR MOUNTED EQUIPMENT (LGP)

Drawbar, fixed

## REAR MOUNTED EQUIPMENT (STD & LT)

Drawbar, heavy-duty, counterweight

Ripper with hydraulic pitch, multi-shank beam, with three shanks, partially mounted, includes deduct for standard drawbar

Ripper with hydraulic pitch, single-shank beam, with shank, with hydraulic pin puller, partially mounted, includes deduct for standard drawbar

## TRACK SHOES

610 mm (24") shoes clipped corner

660 mm (26") shoes, clipped corner

## OPERATOR'S ENVIRONMENT

Heater/pressurizer/defroster, cab without air conditioner (A/C)

### For use with cab:

- Air recirculation system with MSHA filters, severe service
- AM/FM CD radio
- Mirrors, 2 pcs, exterior
- Sun visors (2), additional, for side door windows
- Lights, 2 additional, ROPS mounted

### Canopy ROPS/FOPS

Includes vinyl seat, operator platform covers, instrument panel guard and lights, 2 front, 2 rear.

ROPS structure for use with sweeps

Includes vinyl seat, operator platform covers and instrument panel guard

## SCREENS

Sweeps for forestry application, front and rear. Include exhaust pipe extension with guard and guard for fuel tank and hydraulic reservoir.

Screen, rear (required for winch application), for use with forestry sweeps

Screens for cab windows (front, rear, side, doors) bolted, black painted

Screens for cab lights (2 front, 2 rear), black painted

Screens for tractor lights (2 front, 2 rear)

Screens for ROPS mounted lights, (2 front)

## GUARDS

Track roller guards, full length

Transmission and engine crankcase guards, heavy duty; crankcase guard with front pool hook

Engine hood, perforated

Tank guard, bolted (0.5" plate protects fuel tank and hydraulic reservoir)

## ADDITIONAL OPTIONS

Inspection lamp, 24 V, portable, with 6 m (20') cable

Starting/charging receptacle plug assembly

Vandalism protection for use with cab, with engine enclosures.

Vandalism protection for use with canopy ROPS/FOPS, with engine enclosures.

Maintenance tool kit, 17 items in a metal box

1000 h maintenance package (filters)

1500 h maintenance package (filters)

2000 h maintenance package (filters)

## EXPORT PACKING

Export packing, drive-on/drive-off, machine on the trailer

Export packing, drive-on/drive-off, machine on the railway wagon

## SFRs

Centralized Lubricating System, for machine with or without ripper

Trimble Ready Option, factory preinstalled hydraulics, harness and brackets for the Trimble Grade Control System components

Landfill Package for STD machine

At Dressta we take pride in innovating to help our customers to achieve more in the jobs they do.

Our dedicated team of application engineers can customize designs, modify standard equipment and adapt attachments for peak performance in specific application tasks, improving productivity and bottom line results.

**Do you have a Special Feature Request? See how Dressta can help you achieve more in the jobs you do.**

Specifications may change from time to time and this brochure may not reflect the latest specifications. Photographs in this brochure may not reflect market configuration. Please consult your dealer to confirm specifications and configurations.



Dressta encourages safe worksites.

Please consult operator's manual before use of any Dressta equipment.

