

STANDARD / LT / WT / LGP



Road & Highway

Construction

Landfill

Forestry

Foundry

Quarry

# TD-14 / TD-15 / TD-20

MID-SIZE CRAWLER DOZERS



**DRESSTA**<sup>®</sup>

## ENGINE

	<b>TD-14M Extra</b>	<b>TD-14R</b>	<b>TD-15M Extra</b>	<b>TD-15R Extra</b>	<b>TD-20M Extra</b>	<b>TD-20R Extra</b>
Make and model	Cummins QSB 6.7	Cummins QSB 6.7	Cummins QSC 8.3	Cummins QSB6.7	Cummins QSC 8.3	Cummins QSL 9
Emissions standard	EPA Tier 3/EU Stage IIIA	EPA Tier 4 Interim/EU Stage IIIB	EPA Tier 3/EU Stage IIIA	EPA Tier 4f/EU Stage IV	EPA Tier 3/EU Stage IIIA	EPA Tier 4f/EU Stage IV
Displacement	6.7 L (408 in <sup>3</sup> )	6.7 L (408 in <sup>3</sup> )	8.3 L (505 in <sup>3</sup> )	6.7 L (409 in <sup>3</sup> )	8.3 L (505 in <sup>3</sup> )	8.9 L (543 in <sup>3</sup> )
Bore and stroke	107 x 124 mm (4.21 x 4.88 in)	107 x 124 mm (4.21 x 4.88 in)	114 x 135 mm (4.49 x 5.32 in)	107 x 124 mm (4.21 x 4.88 in)	114 x 135 mm (4.49 x 5.32 in)	114 x 144.5 mm (4.49 x 5.69 in)
Gross horsepower, SAE J1995	129 kW (173 Hp)	129 kW (173 Hp)	153 kW (205 Hp)	164 kW (220 Hp)	194 kW (260 Hp)	205 kW (275 Hp)
Net horsepower, SAE J1349/ISO 9249	120 kW (160 Hp)	120 kW (160 Hp)	142 kW (190 Hp)	150 kW (201 Hp)	179 kW (240 Hp)	195 kW (261 Hp)
Rated RPM	1,800	2,100	1,950	2,000	2,200	2,200
Max. torque	893 Nm (659 lb-ft) @ 1,350 rpm	801 Nm (591 lb-ft) @ 1,350 rpm	1,010 Nm (745 lb-ft) @ 1,450 rpm	949 Nm (700 lb-ft) @ 1,500 rpm	1,180 Nm (870 lb-ft)	1,213 Nm (895 lb-ft) @ 1,500 rpm
Air cleaner	2-stage, dry type, with dash mounted electronic service indicator	2-stage, dry type, with dash mounted electronic service indicator	2-stage, dry type, with dash mounted electronic service indicator	Cummins Filtration Direct Flow™, dry type, exhaust aspiration, with dash-mounted electronic service indicator	2-stage, dry type, with dash mounted electronic service indicator	Cummins Filtration Direct Flow™, dry type, with dash-mounted electronic service indicator
Cold-starting aid	Grid heater	Ether	Grid heater	Ether	Grid heater	Ether
Slope operation, max. angle	45°					

## COOLING

	<b>TD-14M Extra</b>	<b>TD-14R</b>	<b>TD-15M Extra</b>	<b>TD-15R Extra</b>	<b>TD-20M Extra</b>	<b>TD-20R Extra</b>
Type	Suction-type fan, belt driven with perforated engine side sheets and heavy duty louvered front grill	Suction-type variable-speed fan, hydraulically driven with perforated engine side sheets and heavy duty louvered front grill	Suction-type fan, belt driven with perforated engine side sheets and heavy duty louvered front grill	Suction-type variable-speed fan, hydraulically driven with perforated engine side sheets and heavy duty louvered front grill	Suction-type fan, belt driven with perforated engine side sheets and heavy duty louvered front grill	Suction-type variable-speed fan, hydraulically driven with perforated engine side sheets and heavy duty louvered front grill
Engine coolant rating	-37°C (-34°F)					

## BRAKES

	<b>TD-14M Extra/TD-14R</b>	<b>TD-15M Extra/TD-15R Extra</b>	<b>TD-20M Extra/TD-20R Extra</b>
Service	Spring applied hydraulically released multi-disc wet brakes. Foot pedal controlled.		
Parking	The steering brakes also act as service and parking brakes. Service brakes are locked automatically when the transmission safety lever is actuated or when the engine is cut off.		

## ELECTRICAL

	<b>TD-14M Extra/TD-14R</b>	<b>TD-15M Extra/TD-15R Extra</b>	<b>TD-20M Extra</b>	<b>TD-20R Extra</b>
Voltage	24 V			
Number of batteries	2			
Battery capacity	960 CCA	815 CCA	815 CCA	
Alternator rating	70 A	50 A	50 A	80 A
Lights	8 total; cab mounted (2F & 2R), 2F lift cylinders and 2R fuel tank mounted			



## HYDRAULICS

	TD-14M Extra/TD-14R	TD-15M Extra/TD-15R Extra	TD-20M Extra/TD-20R Extra
Type	Open-center hydraulic system with fixed-displacement tandem-gear pumps		Open-center hydraulic system with fixed-displacement multiple-pumps gear type
Pump displacement	135 L/min (35.7 gpm)	173 L/min (46 gpm)	177.2 L/min (46.8 gpm)
System relief pressure	17.5 MPa (2,540 psi)	17.2 MPa (2,500 psi)	blade lift & ripper 16.9 MPa (2,500 psi); blade tilt 17.9 MPa (2,600 psi)
Control	single joystick lever		

## OPERATOR STATION

	TD-14M Extra/TD-14R	TD-15M Extra/TD-15R Extra	TD-20M Extra/TD-20R Extra
	ROPS (ISO 3471 - 2008) and FOPS (ISO 3449 - 2005)		

## SERVICEABILITY

	TD-14M Extra/TD-14R	TD-15M Extra	TD-15R Extra	TD-20M Extra	TD-20R Extra
<b>Refill Capacities</b>					
Fuel tank	380 L (100 US gal)	380 L (100.4 US gal)	330 L (87.2 US gal)	490 L (130 US gal)	420 L (115 US gal)
Cooling system	34 L (9 US gal)	50 L (13.2 US gal)	27 L (7.1 US gal)	50 L (13.5 US gal)	37 L (9.8 US gal)
Engine oil	18.5 L (4.9 US gal)	23 L (6.1 US gal)	18.5 L (4.9 US gal)	22.5 L (6 US gal)	
Transmission system	125 L (33 US gal)	153 L (40.4 US gal)		173 L (45.8 US gal)	
Final drive, each side	STD & LT 28 L (7.4 US gal) LGP 46 L (12 US gal)	40 L (10.6 US gal)		38 L (10 US gal)	
Hydraulic reservoir	59 L (15.6 US gal)	60 L (16 US gal)		115 L (30.4 US gal)	
AdBlue (DEF)	-	-	20 L (5.3 US gal)	-	37.5 L (10 US gal)



# POWERTRAIN

	TD-14M Extra/TD-14R	TD-15M Extra/TD-15R Extra	TD-20M Extra/TD-20R Extra
Transmission	Single stage torque converter drives to transmission through a double universal joint. Modular, countershaft type power shift transmission, electro-hydraulic control. Preset travel speed and auto-downshift.		
Torque converter stall ratio	2.1:1	2.6:1	2.3:1
Steering	Exclusive 2-speed geared steering module provides gradual turns while maintaining full power to both tracks plus conventional clutch-brake performance for tight or pivot turns. Coupled to 3-speed transmission, the 2-speed steering provides 6 speeds forward and 6 reverse. The left hand joystick controls transmission and steering drive for up and down shifting, steering, Hi/Lo selection and LH/RH gradual turn.		
Final drives	Double-reduction final drives mounted independently of track frames and dozer push arms for isolation from shock loads	Double-reduction final drives mounted independently of track frames and dozer push arms for isolation from shock loads	Double-reduction planetary type final drives mounted independently of track frames and dozer push arms for isolation from shock loads
Total ratio	10.32 to 1	12.1 to 1	17.56 to 1

Travel speeds		TD-14M Extra/TD-14R	
Gear	Range	Forward	Reverse
1st	Low	2.9 km/h (1.8 mph)	3.6 km/h (2.2 mph)
	High	4.0 km/h (2.5 mph)	4.8 km/h (3.0 mph)
2nd	Low	5.0 km/h (3.1 mph)	6.0 km/h (3.7 mph)
	High	6.6 km/h (4.1 mph)	8.0 km/h (5.0 mph)
3rd	Low	8.2 km/h (5.1 mph)	9.8 km/h (6.1 mph)
	High	10.8 km/h (6.7 mph)	12.9 km/h (8.0 mph)
Maximum drawbar pull		355 kN (79,807 lb)	

Travel speeds		TD-15M Extra		TD-15R Extra	
Gear	Range	Forward	Reverse	Forward	Reverse
1st	Low	2.7 km/h (1.7 mph)	3.2 km/h (2.0 mph)	2.8 km/h (1.7 mph)	3.3 km/h (2.1 mph)
	High	3.6 km/h (2.2 mph)	4.3 km/h (2.7 mph)	3.8 km/h (2.4 mph)	4.5 km/h (2.8 mph)
2nd	Low	4.9 km/h (3.0 mph)	5.7 km/h (3.5 mph)	5.0 km/h (3.1 mph)	6.0 km/h (3.7 mph)
	High	6.5 km/h (4.0 mph)	7.6 km/h (4.7 mph)	6.7 km/h (4.2 mph)	8.0 km/h (5.0 mph)
3rd	Low	7.7 km/h (4.8 mph)	9.0 km/h (5.6 mph)	8.0 km/h (5.0 mph)	9.3 km/h (5.8 mph)
	High	10.2 km/h (6.3 mph)	11.9 km/h (7.4 mph)	10.5 km/h (6.5 mph)	12.3 km/h (7.6 mph)
Maximum drawbar pull		535.3 kN (118,688 lb)			

Travel speeds		TD-20M Extra		TD-20R Extra	
Gear	Range	Forward	Reverse	Forward	Reverse
1st	Low	2.9 km/h (1.8 mph)	3.6 km/h (2.3 mph)	2.9 km/h (1.8 mph)	3.4 km/h (2.1 mph)
	High	3.7 km/h (2.3 mph)	4.5 km/h (2.8 mph)	3.7 km/h (2.3 mph)	4.4 km/h (2.7 mph)
2nd	Low	5.2 km/h (3.2 mph)	6.1 km/h (3.8 mph)	5.2 km/h (3.2 mph)	6.1 km/h (3.8 mph)
	High	6.7 km/h (4.2 mph)	8.0 km/h (5.0 mph)	6.7 km/h (4.2 mph)	7.9 km/h (4.9 mph)
3rd	Low	9.0 km/h (5.6 mph)	9.7 km/h (6.0 mph)	8.2 km/h (5.1 mph)	9.6 km/h (6.0 mph)
	High	10.6 km/h (6.6 mph)	12.6 km/h (7.8 mph)	10.5 km/h (6.5 mph)	12.2 km/h (7.6 mph)
Maximum drawbar pull		620 kN (139,382 lb)		640 kN (143,878 lb)	

# UNDERCARRIAGE

	<b>TD-14M Extra (STD &amp; LT)</b>	<b>TD-14M Extra (LGP)</b>	<b>TD-14R (STD &amp; LT)</b>	<b>TD-14R (LGP)</b>
Suspension	Oscillation-type with equalizer bar and forward mounted pivot shafts			
Tracks	Large deep-heat-treated for maximum wear resistance			
Track gauge	1,880 mm (74 in)	2,136 mm (84 in)	1,930 mm (76 in)	2,240 mm (88 in)
Track shoe width	560 mm (22 in)	915 mm (36 in)	560 mm (22 in)	915 mm (36 in)
Chain and rollers	Sealed and lubricated track links and through-hardened, sealed, and lubricated rollers			
Shoes, each side	STD 40 / LT 46	46	STD 40 / LT 46	46
Track rollers, each side	STD 7 / LT 8	8	STD 7 / LT 8	8
Track length on ground	STD 2,600 mm (102 in) LT 3,170 mm (125 in)	3,170 mm (125 in)	STD 2,600 mm (102 in) LT 3,170 mm (125 in)	3,170 mm (125 in)
Ground contact area	STD 29,000 cm <sup>2</sup> (4,495 in <sup>2</sup> ) LT 36,000 cm <sup>2</sup> (5,580 in <sup>2</sup> )	58,000 cm <sup>2</sup> (8,990 in <sup>2</sup> )	STD 29,000 cm <sup>2</sup> (4,495 in <sup>2</sup> ) LT 36,000 cm <sup>2</sup> (5,580 in <sup>2</sup> )	58,000 cm <sup>2</sup> (8,990 in <sup>2</sup> )
Ground pressure	STD 55.5 kPa (8.0 psi) LT 47.5 kPa (6.9 psi)	31.4 kPa (4.6 psi)	STD 55.5 kPa (8.0 psi) LT 47.5 kPa (6.9 psi)	30.4 kPa (4.4 psi)
Track pitch	215.9 mm (8.5 in)			
Sprocket sements, each side	1			

	<b>TD-15M Extra/R Extra (STD &amp; LT)</b>	<b>TD-15M Extra/R Extra (WT)</b>	<b>TD-15M Extra/R Extra (LGP)</b>		
Suspension	Oscillation-type with equalizer bar and forward mounted pivot shafts				
Tracks	Large deep-heat-treated for maximum wear resistance				
Track gauge	1,930 mm (76 in)	2,030 mm (80 in)	2,160 mm (85 in)		
Track shoe width	508 mm (20 in)	762 mm (30 in)	940 mm (37 in)		
Chain and rollers	Sealed and lubricated track links and through-hardened, sealed, and lubricated rollers				
Shoes, each side	STD 39 / LT 43	43	43		
Track rollers, each side	STD 6 / LT 8	8	8		
Track length on ground	STD 2,640 mm (104 in) LT 3,050 mm (120 in)	3,050 mm (120 in)	3,050 mm (120 in)		
Ground contact area	STD 27,000 cm <sup>2</sup> (4,160 in <sup>2</sup> ) LT 31,000 cm <sup>2</sup> (4,800 in <sup>2</sup> )	46,000 cm <sup>2</sup> (7,200 in <sup>2</sup> )	57,000 cm <sup>2</sup> (8,880 in <sup>2</sup> )		
Ground pressure	STD 75.4kPa (10.9 psi) LT 65.8 kPa (9.5 psi)	44.9 kPa (6.5 psi)	45.7 kPa (6.7 psi)	36.9 kPa (5.4 psi)	37.4 kPa (5.5 psi)
Track pitch	215.9 mm (8.5 in)	-	215.9 mm (8.5 in)		
Sprocket sements, each side	1				

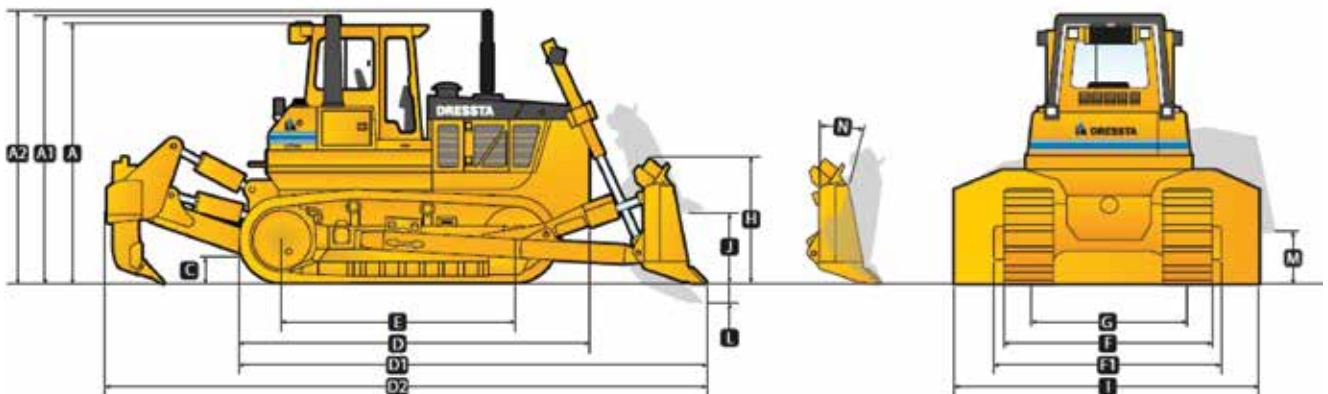
	<b>TD-20M Extra/R Extra (STD &amp; LT)</b>	<b>TD-20M Extra/R Extra (LGP)</b>
Suspension	Oscillation-type with equalizer bar and forward mounted pivot shafts	
Tracks	Large deep-heat-treated for maximum wear resistance	
Track gauge	1,980 mm (78 in)	2,180 mm (86 in)
Track shoe width	560 mm (22 in)	864 mm (34 in)
Chain and rollers	Sealed and lubricated track links and through-hardened, sealed, and lubricated rollers	
Shoes, each side	STD 40 / LT 42	42
Track rollers, each side	7	
Track length on ground	STD 2,860 mm (113 in) / LT 3,080 mm (121 in)	3,080 mm (121 in)
Ground contact area	STD 32,000 cm <sup>2</sup> (4,972 in <sup>2</sup> ) / LT 34,000 cm <sup>2</sup> (5,324 in <sup>2</sup> )	53,000 cm <sup>2</sup> (8,228 in <sup>2</sup> )
Ground pressure	STD 72.4 kPa / LT 68.8 kPa	52 kPa
Track pitch	215.9 mm (8.5 in)	
Sprocket sements, each side	1	

# OPERATING WEIGHTS

	TD-14M Extra/14R (STD & LT)	TD-14M Extra/14R (LGP)
Base weight (with 6-WAY blade, standard equipment, cab ROPS/FOPS, full fuel tank, and 79 kg (175 lb) operator)	STD 16,100 kg (35,494 lb) / LT 17,100 kg (37,699 lb)	18,200 kg (40,124 lb)
<b>Optional Components</b>		
Ripper 3-shank type		1,644 kg (3,551 lb)
<b>Track shoes</b>		
610 mm (24 in)		STD 128 kg (282 lb) / LT 146 kg (322 lb)

	TD-15M Extra/R Extra (STD & LT)		TD-15 M Extra/R Extra (WT)		TD-15 M Extra/R Extra (LGP)	
Base weight with Semi-U blade w/ tilt, drawbar, standard equipment, cab ROPS/FOPS, full fuel tank, and 79 kg (175 lb) operator	STD 20,660 kg (45,547 lb) LT 20,810kg (45,878 lb)	STD 20,760kg (45,768 lb) LT 20,910kg (46,099 lb)	21,315 kg (46,991 lb)	21,415 kg (47,212 lb)	21,620 kg (47,663 lb)	21,720 kg (47,884 lb)
<b>Optional Components</b>						
Ripper single-shank type	1,546 kg (3,408 lb)	1,546 kg (3,408 lb)	1,546 kg (3,408 lb)	-	-	-
Ripper 3-shank type	1,743 kg (3,843 lb)	1,743 kg (3,843 lb)	1,554 kg (3,427 lb)	-	2,160 mm (85 in)	-
<b>Track shoes</b>	508 mm (20 in)		762 mm (30 in)		940 mm (37 in)	
508 mm (20 in)	-		-877 kg (-1,933 lb)		-	
560 mm (22 in)	125 kg (276 lb)		-740 kg (-1,631 lb)		-	
610 mm (24 in)	265 kg (584 lb)		-585 kg (-1,290 lb)		-	
660 mm (26 in)	406 kg (895 lb)		-430 kg (-948 lb)		-1,100 kg (-2,425 lb)	

	TD-20M Extra (STD & LT)	TD-20M Extra (LGP)	TD-20R Extra (STD & LT)	TD-20R Extra (LGP)
Base weight with Semi-U blade w/ tilt, drawbar, standard equipment, cab ROPS/FOPS, full fuel tank, and 79 kg [175 lb] operator)	STD 24,200 kg (53,352 lb) LT 24,760 kg (54,587 lb)	25,230 kg (55,623 lb)	STD 24,250 kg (53,462 lb) LT 24,810 kg (54,700 lb)	25,280 kg (55,733 lb)
<b>Optional Components</b>				
Ripper 3-shank type	456 kg (1,014 lb)	-	456 kg (1,014 lb)	-
<b>Track shoes</b>				
610 mm (24 in)	176 kg (388 lb)	-	176 kg (388 lb)	-
660 mm (26 in)	336 kg (740 lb)	-	336 kg (740 lb)	-





# MACHINE DIMENSIONS

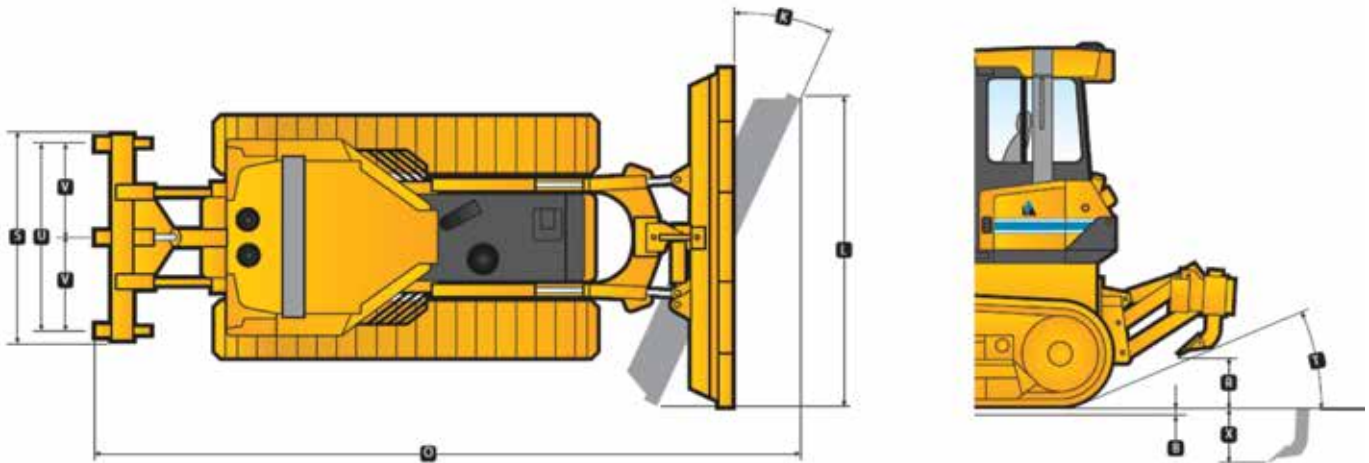
	TD-14M Extra/14R (STD & LT)		TD-14M Extra/14R (LGP)	
	Semi-U / 6-way		Straight / 6-way	
<b>A</b> Overall height -ROPS	3,240 mm (128 in)		3,240 mm (128 in)	
<b>B</b> Grouser height	65 mm (2.56 in)		65 mm (2.56 in)	
<b>C</b> Ground clearance	430 mm (16.9 in)		430 mm (16.9 in)	
<b>D</b> Overall length, base machine	STD 3,630 mm (143 in) / LT 4,200 mm (165 in)		4,200 mm (165 in)	
<b>D1</b> Length with blade and drawbar	STD 5,130 mm (16' 10") / LT 5,690 (18' 8")		5,500 mm (18 ft)	5,540 mm (18 ft 2 in)
<b>D2</b> Length with blade and 3-shank ripper	STD 6,300 mm (20' 8") LT 6,870 mm (22' 1.6")	STD 6,490 mm (21' 4") LT 6,720 mm (22' 1")	-	
<b>E</b> Track length on ground	STD 2,600 mm (102 in) / LT 3,170 mm (125 in)		3,170 mm (125 in)	
<b>F</b> Width over track	2,490 mm (98 in)		3,050 mm (120 in)	
			TD-14M Extra (LGP)	TD-14R (LGP)
<b>F1</b> Width over trunnions	2,710 mm (8' 11")	2,760 mm (9' 1")	3,305 mm (10' 10")	3,400 mm (11' 2")
<b>G</b> Track gauge	1,880 mm (74")	1,930 mm (76")	2,136 mm (84")	2,240 mm (88")

	TD-15M Extra/R Extra (STD & LT)		TD-15M Extra/R Extra (WT)		TD-15M Extra/R Extra (LGP)	
	Semi-U	Angle	Semi-U	6-way	Straight	6-way
<b>A</b> Overall height - FOPS cab	3,350 mm (132 in)					
<b>A1</b> Overall height -ROPS	3,450 mm (136 in)					
<b>B</b> Grouser height	64 mm (2.52 in)					
<b>C</b> Ground clearance	445 mm (17.5 in)					
<b>D</b> Overall length, base machine	STD 4,050 mm (13' 3.3") LT 4,220 mm (13' 10")	4,220 mm (13' 10")	4,220 mm (13' 10")	4,220 mm (13' 10")	4,220 mm (13' 10")	4,220 mm (13' 10")
<b>D1</b> Length with blade	STD 5,230 mm (17' 2") LT 5,670 mm (18' 7")	STD 5,390 mm (17' 8") LT 5,830 mm (19' 2")	5,670 mm (18' 7")	5,870 mm (19' 3")	5,520 mm (18' 1")	5,870 mm (19' 3")
<b>D2</b> Length with blade and 1-shank /3-shank ripper	STD 6,250 mm / 6,480 mm (20' 6" / 21' 3") LT 6,760 mm / 6,910 mm (22' 2" / 22' 8")	STD 6,400 mm / 6,550 mm (21' 6") LT 6,840 mm / 6,990 mm (22' 5" / 22' 11")	6,790 mm / 6,940 mm (22' 3" / 22' 9")	6,880 mm / 7,030 mm (22' 7" / 23' 1")	-	-
<b>E</b> Track length on ground	STD 2,640 mm (104 in) LT 3,050 mm (120 in)	3,050 mm (120 in)	3,050 mm (120 in)	3,050 mm (120 in)	3,050 mm (120 in)	3,050 mm (120 in)
<b>F</b> Width over track	2,440 mm (96 in)	2,440 mm (96 in)	2,790 mm (110 in)	2,790 mm (110 in)	3,100 mm (122 in)	3,100 mm (122 in)
<b>F1</b> Width over trunnions	2,810 mm (110.6 in)	2,810 mm (110.6 in)	2,910 mm (114.5 in)	-	3,340 mm (131.5 in)	-
<b>G</b> Track gauge	1,930 mm (76 in)	1,930 mm (76 in)	2,030 mm (80 in)	2,030 mm (80 in)	2,160 mm (85 in)	2,160 mm (85 in)

	TD-20M Extra/TD-20R Extra	
<b>A</b> Overall height - FOPS cab	3,480 mm (137 in)	
<b>A1</b> Overall height - ROPS	3,570 mm (141 in)	
<b>A2</b> Overall height - end of exhaust pipe	3,930 mm (12' 11")	
<b>B</b> Grouser height	67 mm (2.63 in)	
<b>C</b> Ground clearance	460 mm (18.1 in)	
<b>D</b> Overall length, base machine	4,340 mm (171 in)	
<b>D1</b> Length with blade	STD 5,690 mm (18' 8") / LT 5,910 mm (19' 5")	
<b>D2</b> Length with blade and 1-shank /3-shank ripper	STD 6.89 m / 7.05 m (22' 7" / 23' 2") / LT 7.11 m / 7.27 m (23' 4" / 23' 10")	
<b>E</b> Track length on ground	STD 2,860 mm (113 in) / LT 3,080 mm (121 in)	
<b>F</b> Width over track	2,540 mm (100 in)	
<b>F1</b> Width over trunnions	2,890 mm (9 ft 6 in)	
<b>G</b> Track gauge	1,980 mm (78 in)	

# RIPPER

	TD-14M Extra/14R	TD-15M/R Extra		TD-20M Extra/R Extra	
		Single-shank	Multi-shank (3-shank)	Single-shank standard	Multi-shank (3-shank)
<b>R</b> Maximum clearance under tip (raised)	568 mm (22 in)	485 mm (19 in)	455 mm (17.9 in)	538 mm (21.2 in)	596 mm (23.5 in)
<b>S</b> Overall beam width	2,040 mm (80.3 in)	1,100 mm (43 in)	2,230 mm (88 in)	1,383 mm (54 in)	2,130 mm (84 in)
<b>T</b> Slope angle (full raise)	25 deg				
<b>U</b> Ripping width	1,980 mm (74 in)	-	2,030 mm (6' 8")	-	1,982 mm (78 in)
<b>V</b> Spacing center to center	940 mm (37 in)	-	1,015 mm (3' 4")	-	991 mm (39 in)
<b>X</b> Maximum penetration	660 mm (26 in)	713 mm (28 in)	600 mm (24 in)	834 mm (32.8 in)	700 mm (27.6 in)
<b>Z</b> Maximum pitch adjustment	-	-	-	25 deg	25 deg
Penetration force	67 kN (15,062 lb)	71.04 kN (15,970 lb)	64 kN (14,387 lb)	89.99 kN (20,230 lb)	91.1 kN (20,479 lb)
Pryout force	191 kN (42,937 lb)	390.9 kN (87,874 lb)	268.7 kN (60,404 lb)	272.3 kN (61,213 lb)	282.2 kN (63,439 lb)
Shank positions (vertical)	2				
Weight of ripper w/ 1 shank	1,422 kg (3,135 lb)	1,546 kg (3,408 lb)	1,554 kg (3,427 lb)	2,845 kg (6,272 lb)	2,900 kg (6,400 lb)
Weight of shank	111 kg (245 lb)	111 kg (245 lb)	94.5 kg (208 lb)	-	196 kg (432 lb)
	Parallelogram ripper	Parallelogram ripper with hydraulic pitch adjustment			



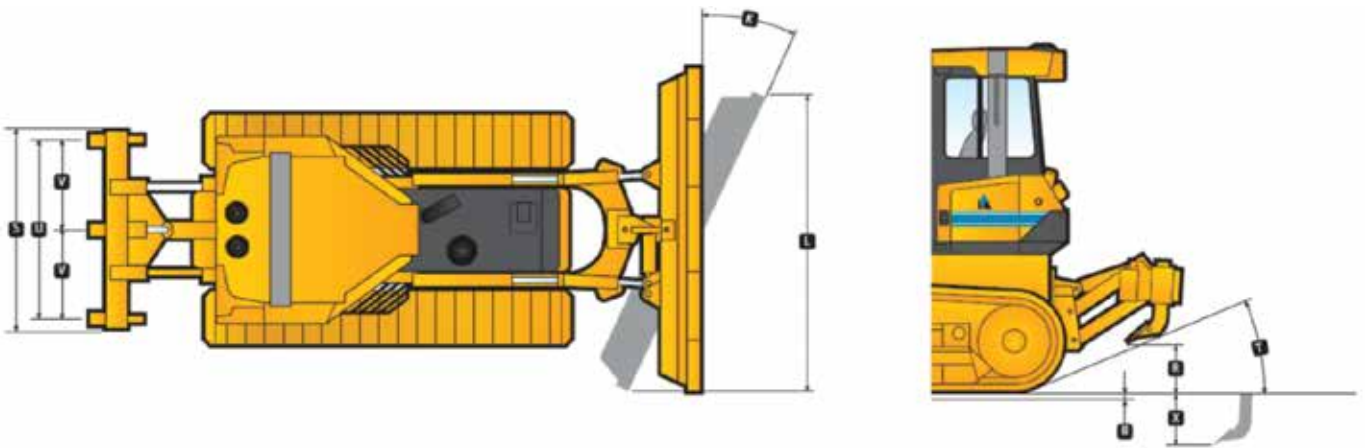
# BLADE SPECS

Type	TD-14M Extra/14R (STD & LT)	TD-14M Extra (STD & LT)	TD-14M Extra (LGP)		TD-14R (STD & LT)	TD-14R (LGP)	
	Semi-U	6-way	Straight	6-way	6-way	Straight	6-way
SAE capacity	4.28 m³ (5.6 yd³)	3.2 m³ (4.2 yd³)	3.05 m³ (4.0 yd³)	3.8 m³ (5.0 yd³)	3.4 m³ (4.5 yd³)	3.17 m³ (4.14 yd³)	4 m³ (5.2 yd³)
<b>H</b> Blade height	1,230 mm (48 in)	1,200 mm (47 in)	1,020 mm (40 in)	1,170 mm (46 in)	1,170 mm (46 in)	1,030 mm (40.5 in)	1,170 mm (46 in)
<b>I</b> Blade width	3,370 mm (133 in)	3,220 mm (147 in)	3,700 mm (146 in)	3,830 mm (151 in)	3,720 mm (147 in)	3,840 mm (151 in)	3,980 mm (156.7 in)
<b>J</b> Blade lift height	STD 990 mm (39 in) LT 1,060 mm (42 in)	STD 990 mm (39 in) LT 1,060 mm (42 in)	1,056 mm (41.6 in)	1,085 mm (42.7 in)	STD 1,090 mm (42.9 in) LT 1,086 mm (42.7 in)	1,056 mm (41.6 in)	1,085 mm (42.7 in)
<b>K</b> Blade angle	-	25 deg	-	25 deg	25 deg	-	25 deg
<b>L</b> Blade digging depth	STD 515 mm (20.3 in) LT 500 mm (19.7 in)	STD 580 mm (22.8 in) LT 536 mm (21.1 in)	500 mm (19.7 in)	536 mm (21.1 in)	STD 580 mm (22.8 in) LT 536 mm (21.1 in)	500 mm (19.7 in)	536 mm (21.1 in)
<b>M</b> Maximum tilt	STD 545 mm (22 in) LT 510 mm (20 in)	510 mm (20 in)	595 mm (23 in)	595 mm (23 in)	510 mm (20 in)	595 mm (23 in)	
<b>N</b> Maximum blade pitch adjustment	9 deg	7 deg	9 deg	8 deg	7 deg	9 deg	8 deg
<b>O</b> Overall width with blade angled	-	3,420 mm (11' 3")	-	3,980 mm (13 ft)	3,420 mm (11' 3")	-	3,980 mm (13 ft)



## BLADE SPECS

	TD-15M Extra/R Extra (STD & LT)		TD-15M Extra/R Extra (WT)		TD-15M Extra/R Extra (LGP)	
	Semi-U	Angle	Semi-U	6-way	Straight	6-way
SAE capacity	5.7m³ (9.2 yd³)	3.8 m³ (5.0 yd³)	5.95 m³ (7.8 yd³)	3.8 m³ (5.0 yd³)	3.6 m³ (4.7 yd³)	4.0 m³ (5.2 yd³)
H Blade height	1,460 mm (58")	1,120 mm (3' 8")	1,460 mm (58")	1,360 mm (4' 7")	1,100 mm (43")	1,360 mm (53,5")
I Blade width	3,440 mm (135")	4,130 mm (163")	3,590 mm (141")	3,680 mm (154")	3,860 mm (152")	3,830 mm (151")
J Blade lift height	STD 1,104 mm (43,5") LT 1,102 mm (43,4")	STD 1,102 mm (43,4") LT 1,119 mm (44")	1,102 mm (43,4")	1,280 mm (50,4")	1,240 mm (49")	1,280 mm (50,4")
K Blade angle	-	25 deg	-	23.5 deg	-	23.5 deg
L Blade digging depth	463 mm (18,2")	STD 552 mm (21,7") LT 542 mm (21,3")	STD 463 mm (18,2")	STD 692 mm (27")	455mm (18")	692mm (27")
M Maximum tilt	742 mm (28,5")	385 mm (15,2")	782 mm (30,8")	450 mm (18")	698 mm (27,5")	466 mm (18,3")
N Maximum blade pitch adjustment	9 deg	-	9 deg	8 deg	10 deg	8 deg
O Overall width with blade angled	-	3,750 mm (12' 4")	-	3,330 mm (10' 11")	-	3,510 mm (11' 6")



## BLADE SPECS

	TD-20M Extra / TD-20R Extra			
	Semi-U	Full-U	Angle	Straight LGP
SAE capacity	7.04 m³ (9.2 yd³)	8.45 m³ (11.1 yd³)	3.88 m³ (5.1 yd³)	6.03 m³ (7.9 yd³)
H Blade height	1,600 mm (5' 3")	1,600 mm (5' 3")	1,090 mm (43 in)	1,360 mm (54 in)
I Blade width	3,500 mm (11' 6")	3,860 mm (152 in)	4,410 mm (174 in)	4,370 mm (172 in)
J Blade lift height	STD 1,150 mm (45 in) LT 1,220 mm (48 in)	STD 1,150 mm (45 in) LT 1,220 mm (48 in)	STD 1,160 mm (46 in) LT 1,230 mm (48.4 in)	1,210 m (47.6 in)
K Blade angle	-	-	25 deg	-
L Blade digging depth	STD 505 mm (19.9 in) LT 532 mm (20.9 in)	STD 505 mm (19.9 in) LT 532 mm (20.9 in)	STD 615 mm (24.2 in) LT 647 mm (25.5 in)	522 mm (20.6 in)
M Maximum tilt	670 mm (26.3 in)	720 mm (28.3 in)	480 mm (19 in)	660 mm (26 in)
N Maximum blade pitch adjustment	25 deg	25 deg	-	-
O Overall width with blade angled	-	-	STD 5,770 mm (18' 11")	-

