

EQUIPMENT SPECIFICATION

SPECIFICATION

ENGINE

◆ Model.....	Isuzu 4JG1-NABGB-04-C2
◆ Displacement.....	3.059L
Engine power	
At rated engine speed.....	40.9kw/2100rpm

HYDRAULIC SYSTEM

◆ Type.....	Load Sensibility
◆ Number of selectable working modes.....	4
◆ Main pump	
Type.....	Variable-capacity piston pumps
Maximum flow.....	149ltr/min

Hydraulic motors

Travel.....	2* axial piston motor with parking brake
Swing.....	1* axial piston motor with swing holding brake

Relief valve setting

Implement circuits.....	27.5mpa 269kg/cm ² 3 , 988psi
Travel circuit.....	27.5mpa 269kg/cm ² 3 , 988psi
Swing circuit.....	21.5mpa 210kg/cm ² 3 , 118psi
Heavy lift circuit.....	27.5mpa 269kg/cm ² 3 , 988psi
Pilot circuit.....	3.5mpa 34kg/cm ² , 507psi

Hydraulic cylinders

Boom.....	1-110mm*885mm
Arm.....	1-90mm*900mm
Bucket.....	1-80mm*730mm

OPERATING WEIGHT

Operating weight with standard bucket, fully serviced, +75 kg operator (ISO)	
Operating weight.....	7355kg

UNDERCARRIAGE

Track width.....	450mm
Number of track shoes.....	39
Carrier roller (per side).....	1
Track roller(per side).....	5

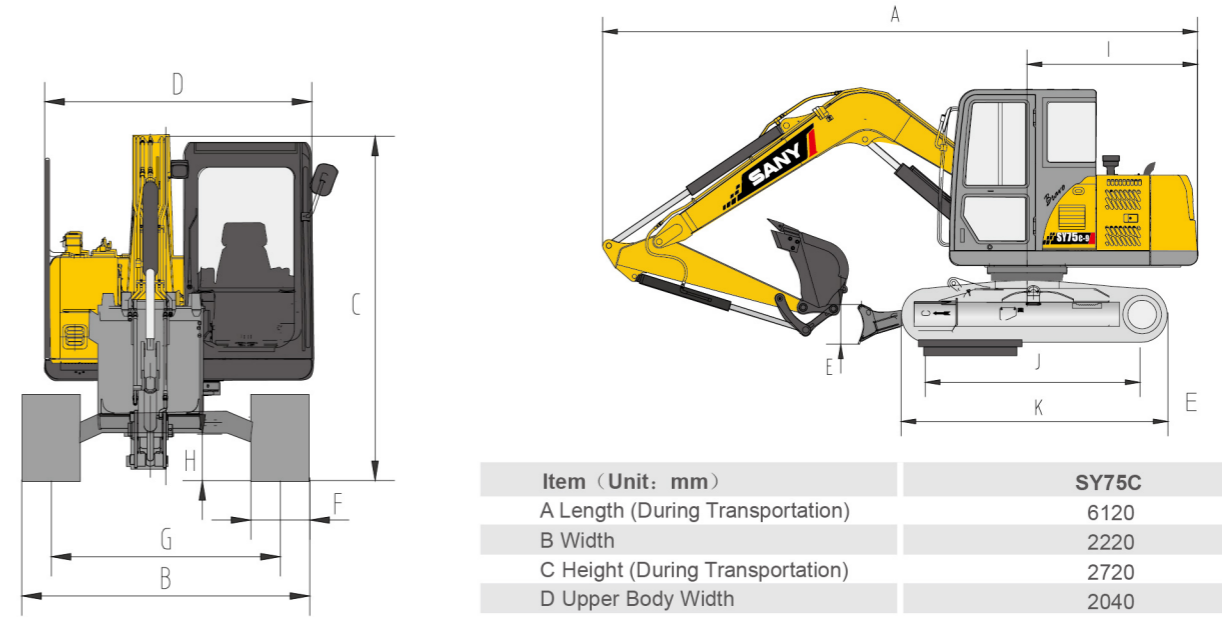
TRANSMISSION

Travel Speed (Highest/Lowest).....	4.4/2.4 km/h
Swing Speed.....	11.5rpm
Gradeability.....	70%/35
Ground Pressure.....	33KPa

DIGGING FORCE

Bucket Digging Force.....	56kN
Arm Digging Force.....	38kN

DIMENSION



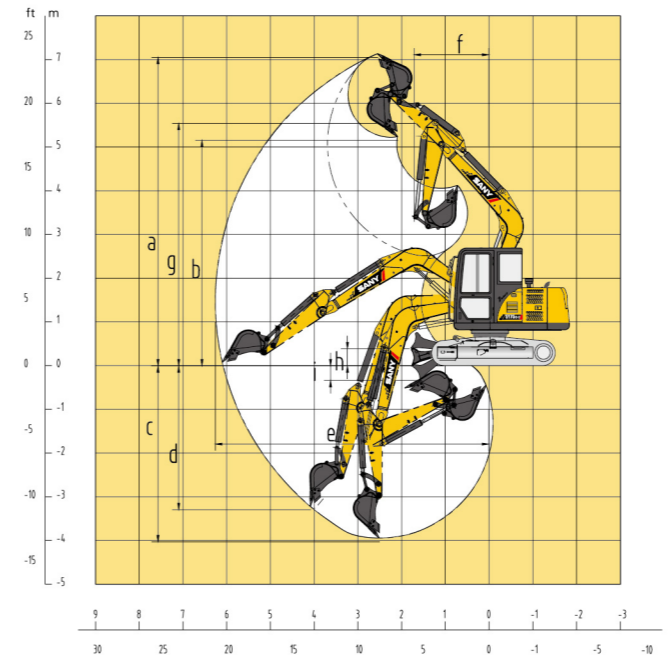
Item (Unit: mm)	SY75C
A Length (During Transportation)	6120
B Width	2220
C Height (During Transportation)	2720
D Upper Body Width	2040
E Blade Height	405
F Std. Track Width	450
G Track Gauge	1750
H Min. Ground Clearance	380
I Tail Swing Radius	1800
J Roller Gauge	2195
K Track Length	2820

BUCKET OPTIONAL

Capacity		Width		Weight	Number of Teeth	Arm length			
SAE	CECE	Without Side Cutters	With Side Cutters			1622mm	2050mm	mm	mm
0.16	0.14	450	570	173	3	■			
0.18	0.16	500	620	186	4	■			
0.21	0.19	560	680	197	4	■			
0.25	0.22	650	770	218	4	■			
0.28	0.25	680	795	247	4	■	●		
0.28	0.25	720	836	240	5	■			
0.32	0.28	800	922	224	5	●			

Suitable for materials with density of 1 800 kg/m³ (3 030 lb/yd³) or less ■
 Suitable for materials with density of 1 600 kg/m³ (2 700 lb/yd³) or less ●
 Suitable for materials with density of 1 100 kg/m³ (1 850 lb/yd³) or less △

OPERATION RANGE



Item (Unit: mm)	SY75C
a Max. Digging Height	7060
b Max. Dumping Height	5155
c Max. Digging Depth	4020
d Max. Vertical Digging Depth	3290
e Max. Excavating Distance	6240
f Min. Swing Radius	1720
g Height at Min. Swing Radius	5550
h Maximum Ground Clearance of Bulldozer Blade(rising)	350
i Maximum Sinking Depth of Bulldozer Blade	360

Materials and specifications are subject to change without further notice in accordance with our continuous technical innovations. Photos and illustrations may not include additional equipments.