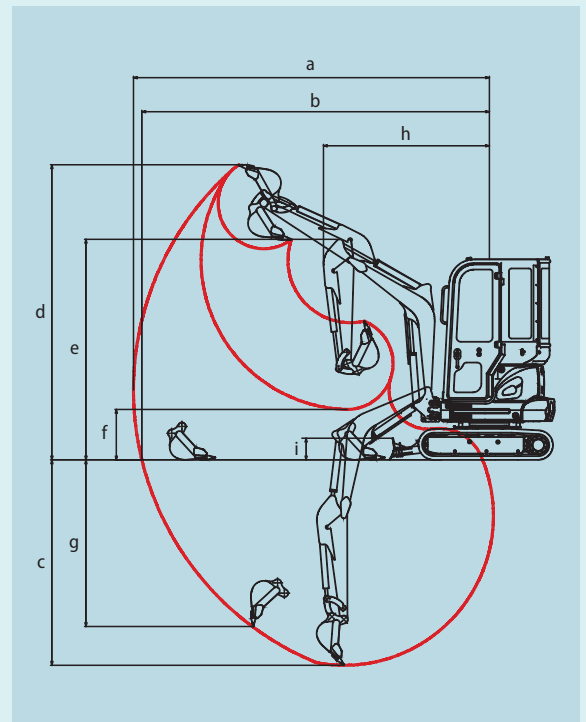


### SPECIFICATIONS

| MODEL                         |                         | SK17SR   |                 |
|-------------------------------|-------------------------|--|-----------------|
| Type                          |                         | SK17SR-3   |                 |
| <b>PERFORMANCE</b>            |                         |  |                 |
| Bucket Capacity ISO heaped    | m <sup>3</sup>          | 0.044  |                 |
| Travel Speed (high/low)       | km/h                    | 4.0/2.0  |                 |
| Swing Speed                   | min <sup>-1</sup> {rpm} | 8.6  |                 |
| Swing Torque                  | kN-m                    | 2.87   |                 |
| Gradeability                  | % (degree)              | 58 (30)  |                 |
| Drawbar Pulling Force         | kN                      | 19.9   |                 |
| Bucket Digging Force          | kN                      | 15.2   |                 |
| Arm Crowding Force            | kN                      | 8.7  |                 |
| <b>WEIGHT</b>                 |                         |  |                 |
| Machine Mass                  | Cab                     | kg   | 1,665           |
|                               | Canopy                  | kg   | 1,555           |
| Ground Pressure               | Cab                     | kPa  | 28.9            |
|                               | Canopy                  | kPa  | 27.2            |
| Shoe Width                    | mm                      | 230  |                 |
| Shoe Type                     |                         | Rubber   |                 |
| <b>ENGINE</b>                 |                         |  |                 |
| Model                         |                         | MITSUBISHI L3E-W431KBS   |                 |
| Type                          |                         | Water cooled, 4-cycle, 3-cylinder, direct injection, diesel engine |                 |
| Power Output NET              | (ISO 9249)              | kW/min <sup>-1</sup> (rpm)   | 11.3/2,200      |
|                               | (ISO 14396)             | kW/min <sup>-1</sup> (rpm)   | 11.7/2,200      |
| Max. Torque NET               | (ISO 9249)              | N-m/min <sup>-1</sup> (rpm)  | 53.5/1,800      |
|                               | (ISO 14396)             | N-m/min <sup>-1</sup> (rpm)  | 54.2/1,800      |
| Displacement                  |                         | L  | 0.952           |
| Fuel Tank                     |                         | L  | 22              |
| <b>HYDRAULIC SYSTEM</b>       |                         |  |                 |
| Pump                          |                         | Two variable displacement pumps + one gear pump                    |                 |
| Max. Discharge Flow           |                         | L/min  | 2 x 16.3, 11.4  |
| Relief Valve Setting          |                         | MPa  | 21.6            |
| Hydraulic Oil Tank (system)   |                         | L  | 9.0 (15.0)      |
| <b>DOZER BLADE</b>            |                         |  |                 |
| Width x Height                |                         | mm   | 990/1,320 x 250 |
| Working Ranges (height/depth) |                         | mm   | 280/270         |
| <b>SIDE DIGGING MECHANISM</b> |                         |  |                 |
| Type                          |                         | Boom swing   |                 |
| Offset Angle                  | To the left             | degree   | 65              |
|                               | To the right            | degree   | 55              |

\* Figures in above table show the value with long arm (1.2 m) specs.

### WORKING RANGES

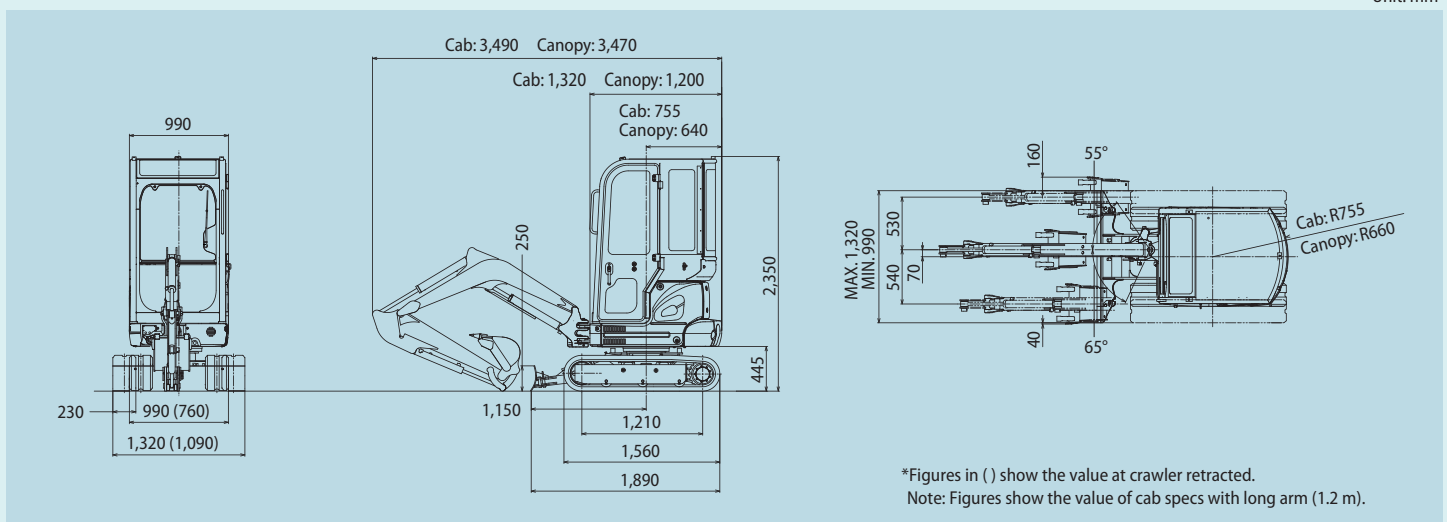


Unit: mm

| MODEL                                 | SK17SR (Cab)  |               |
|---------------------------------------|---------------|---------------|
|                                       | Long          | Standard      |
| Arm                                   | 1.2 m         | 0.98 m        |
| a- Max. digging reach                 | 4,120         | 3,890         |
| b- Max. digging reach at ground level | 4,020         | 3,790         |
| c- Max. digging depth                 | 2,380         | 2,150         |
| d- Max. digging height                | 3,410         | 3,240         |
| e- Max. dumping clearance             | 2,440         | 2,280         |
| f- Min. dumping clearance             | 590           | 800           |
| g- Max. vertical wall digging depth   | 1,930         | 1,660         |
| h- Min. swing radius (at boom swing)  | 1,920 (1,630) | 1,890 (1,600) |
| i- Dozer blade (height/depth)         | 280/270       |               |

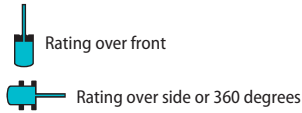
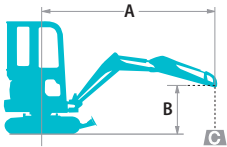
### GENERAL DIMENSIONS

Unit: mm



\*Figures in ( ) show the value at crawler retracted.  
Note: Figures show the value of cab specs with long arm (1.2 m).

# LIFTING CAPACITIES



A: Reach from swing centerline to arm top  
 B: Arm top height above/below ground  
 C: Lifting capacities in kilograms  
 Relief valve setting: 21.6 MPa

| SK17SR Cab |    | Long arm: 1.2 m Bucket: without Rubber shoe: 230 mm Dozer blade: up |      |       |     |       |     |       |     |       |     |       |     |               |      |        |
|------------|----|---|------|-------|-----|-------|-----|-------|-----|-------|-----|-------|-----|---------------|------|--------|
|            |    | 1.0 m   |      | 1.5 m |     | 2.0 m |     | 2.5 m |     | 3.0 m |     | 3.5 m |     | At Max. Reach |      | Radius |
| B          | A  |   |      |       |     |       |     |       |     |       |     |       |     |               |      |        |
| 2.5 m      | kg |   |      |       |     |       |     |       |     | 250   | 240 |       |     | 240           | 240  | 3.03 m |
| 2.0 m      | kg |   |      |       |     |       |     |       |     | 250   | 240 |       |     | 200           | 200  | 3.32 m |
| 1.5 m      | kg |   |      |       |     |       |     | 330   | 320 | 240   | 240 | 180   | 180 | 180           | 180  | 3.50 m |
| 1.0 m      | kg |   |      |       |     | 450   | 440 | 310   | 310 | 230   | 230 | 180   | 180 | 170           | 170  | 3.58 m |
| 0.5 m      | kg |   |      |       |     | 420   | 410 | 300   | 290 | 220   | 220 | 180   | 170 | 170           | 170  | 3.56 m |
| G. L.      | kg |   |      | 650   | 620 | 400   | 390 | 290   | 280 | 220   | 220 |       |     | 180           | 180  | 3.47 m |
| -0.5 m     | kg | *700  | *700 | 650   | 620 | 400   | 390 | 280   | 280 | 220   | 210 |       |     | 190           | 190  | 3.27 m |
| -1.0 m     | kg | *990  | *990 | 660   | 630 | 400   | 390 | 280   | 280 |       |     |       |     | 230           | 220  | 2.94 m |
| -1.5 m     | kg | *990  | *990 | 670   | 650 | 410   | 400 |       |     |       |     |       |     | *300          | *300 | 2.42 m |

| SK17SR Canopy |    | Long arm: 1.2 m Bucket: without Rubber shoe: 230 mm Dozer blade: up |      |       |     |       |      |       |      |       |     |       |     |               |     |        |
|---------------|----|---|------|-------|-----|-------|------|-------|------|-------|-----|-------|-----|---------------|-----|--------|
|               |    | 1.0 m   |      | 1.5 m |     | 2.0 m |      | 2.5 m |      | 3.0 m |     | 3.5 m |     | At Max. Reach |     | Radius |
| B             | A  |   |      |       |     |       |      |       |      |       |     |       |     |               |     |        |
| 3.0 m         | kg |   |      |       |     |       |      | 320   | 320  |       |     |       |     | 300           | 300 | 2.57 m |
| 2.5 m         | kg |   |      |       |     |       |      | *300  | *300 | 230   | 230 |       |     | 230           | 220 | 3.03 m |
| 2.0 m         | kg |   |      |       |     |       |      | *320  | 320  | 230   | 230 |       |     | 190           | 190 | 3.32 m |
| 1.5 m         | kg |   |      |       |     | *420  | *420 | 310   | 310  | 230   | 230 | 170   | 170 | 170           | 170 | 3.50 m |
| 1.0 m         | kg |   |      |       |     | 420   | 410  | 290   | 290  | 220   | 220 | 170   | 170 | 160           | 160 | 3.58 m |
| 0.5 m         | kg |   |      |       |     | 390   | 390  | 280   | 280  | 210   | 210 | 160   | 160 | 160           | 160 | 3.56 m |
| G. L.         | kg |   |      | 610   | 590 | 380   | 370  | 270   | 270  | 200   | 200 |       |     | 160           | 160 | 3.47 m |
| -0.5 m        | kg | *700  | *700 | 610   | 590 | 370   | 370  | 260   | 260  | 200   | 200 |       |     | 180           | 180 | 3.27 m |
| -1.0 m        | kg | *990  | *990 | 620   | 600 | 370   | 370  | 260   | 260  |       |     |       |     | 210           | 210 | 2.94 m |
| -1.5 m        | kg | *990  | *990 | 640   | 610 | 390   | 380  |       |      |       |     |       |     | 290           | 290 | 2.42 m |

| SK17SR Cab |    | Standard arm: 0.98 m Bucket: without Rubber shoe: 230 mm Dozer blade: up |      |       |      |       |      |       |     |       |     |               |      |        |
|------------|----|--|------|-------|------|-------|------|-------|-----|-------|-----|---------------|------|--------|
|            |    | 1.0 m  |      | 1.5 m |      | 2.0 m |      | 2.5 m |     | 3.0 m |     | At Max. Reach |      | Radius |
| B          | A  |  |      |       |      |       |      |       |     |       |     |               |      |        |
| 2.5 m      | kg |  |      |       |      |       |      |       |     |       |     | 290           | 280  | 2.75 m |
| 2.0 m      | kg |  |      |       |      |       |      |       |     | 250   | 240 | 230           | 230  | 3.07 m |
| 1.5 m      | kg |  |      |       |      |       |      | 330   | 320 | 240   | 240 | 210           | 210  | 3.26 m |
| 1.0 m      | kg |  |      |       |      | 440   | 430  | 310   | 310 | 240   | 230 | 200           | 200  | 3.35 m |
| 0.5 m      | kg |  |      |       |      | 420   | 410  | 300   | 300 | 230   | 230 | 190           | 190  | 3.34 m |
| G. L.      | kg |  |      | 660   | 640  | 410   | 400  | 290   | 290 | 220   | 220 | 200           | 200  | 3.23 m |
| -0.5 m     | kg | *870   | *870 | 670   | 640  | 410   | 400  | 290   | 290 | 230   | 220 | 220           | 220  | 3.01 m |
| -1.0 m     | kg | *990   | *990 | 680   | 650  | 410   | 410  | 300   | 290 |       |     | 270           | 270  | 2.64 m |
| -1.5 m     | kg |  |      | *470  | *470 | *300  | *300 |       |     |       |     | *300          | *300 | 2.01 m |

| SK17SR Canopy |    | Standard arm: 0.98 m Bucket: without Rubber shoe: 230 mm Dozer blade: up |      |       |      |       |      |       |     |       |     |               |      |        |
|---------------|----|--|------|-------|------|-------|------|-------|-----|-------|-----|---------------|------|--------|
|               |    | 1.0 m  |      | 1.5 m |      | 2.0 m |      | 2.5 m |     | 3.0 m |     | At Max. Reach |      | Radius |
| B             | A  |  |      |       |      |       |      |       |     |       |     |               |      |        |
| 3.0 m         | kg |  |      |       |      |       |      |       |     |       |     | 400           | 390  | 2.20 m |
| 2.5 m         | kg |  |      |       |      |       |      | 320   | 320 |       |     | 270           | 270  | 2.75 m |
| 2.0 m         | kg |  |      |       |      |       |      | 320   | 320 | 230   | 230 | 220           | 220  | 3.07 m |
| 1.5 m         | kg |  |      | *720  | 720  | 450   | 440  | 310   | 310 | 230   | 230 | 200           | 200  | 3.26 m |
| 1.0 m         | kg |  |      |       |      | 420   | 410  | 290   | 290 | 220   | 220 | 180           | 180  | 3.35 m |
| 0.5 m         | kg |  |      |       |      | 390   | 390  | 280   | 280 | 210   | 210 | 180           | 180  | 3.34 m |
| G. L.         | kg |  |      | 630   | 600  | 380   | 380  | 270   | 270 | 210   | 210 | 190           | 190  | 3.23 m |
| -0.5 m        | kg | *870   | *870 | 630   | 610  | 380   | 380  | 270   | 270 | 210   | 210 | 210           | 210  | 3.01 m |
| -1.0 m        | kg | *990   | *990 | 640   | 620  | 390   | 380  | 280   | 280 |       |     | 260           | 260  | 2.64 m |
| -1.5 m        | kg |  |      | *470  | *470 | *300  | *300 |       |     |       |     | *300          | *300 | 2.01 m |

- Note:
- Do not attempt to lift or hold any load that is greater than these lifting capacities at their specified lift point radius and heights. Weight of all accessories must be deducted from the above lifting capacities.
  - Lifting capacities are based on machine standing on level, firm, and uniform ground. User must make allowance for job conditions such as soft or uneven ground, out of level conditions, side loads, sudden stopping of loads, hazardous conditions, experience of personnel, etc.
  - Arm top pin is defined as lift point.
  - The above lifting capacities are in compliance with ISO 10567. They do not exceed 87% of hydraulic lifting capacity or 75% of tipping load. Lifting capacities marked with an asterisk (\*) are limited by hydraulic capacity rather than tipping load.
  - Operator should be fully acquainted with the Operator's and Maintenance Instructions before operating this machine. Rules for safe operation of equipment should be adhered to at all times.
  - Lifting capacities apply to only machine as originally manufactured and normally equipped by KOBELCO CONSTRUCTION MACHINERY CO., LTD.

Note: This catalog may contain attachments and optional equipment that are not available in your area. And it may contain photographs of machines with specifications that differ from those of machines sold in your areas. Please consult your nearest KOBELCO distributor for those items you require. Due to our policy of continuous product improvements all designs and specifications are subject to change without advance notice.

Copyright by **KOBELCO CONSTRUCTION MACHINERY CO., LTD.** No part of this catalog may be reproduced in any manner without notice.

## KOBELCO CONSTRUCTION MACHINERY EUROPE B.V.

Veluwezoom 15  
 1327 AE Almere  
 The Netherlands  
 www.kobelco-europe.com

Inquiries To: