

# MAINTENANCE

## Easy Maintenance

Easier maintenance, with a fully-opening engine hood and equipment that requires the most frequent checks positioned to be readily visible.

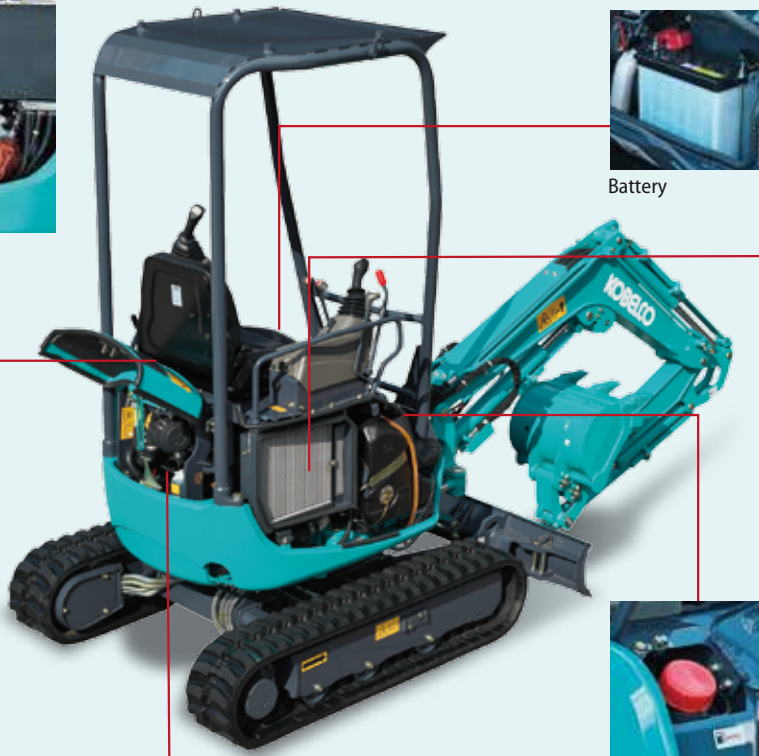
### Easy Access to Component (Left)



Cartridge type return filter



Oil level gauge



Battery

### Easy Access to Cooling Unit



Radiator



Fuel tank

### Easy Access to Engine Compartment (Rear)



Fuel filter

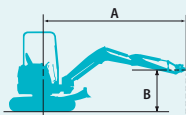


Water separator



Air cleaner

## LIFTING CAPACITIES



Rating over front

Rating over side or 360 degrees

A: Reach from swing centerline to arm top  
 B: Arm top height above/below ground  
 C: Lifting capacities in kilograms  
 Shoe: Rubber shoe Dozer blade: Up  
 Relief valve setting: 20.6 MPa

SK175R		Bucket: Without		Shoe: 230mm		At Max. Reach		Radius
		2.0 m		2.5 m				
B	A							
2.0 m	kg			*315	*315	225	235	3.02 m
1.5 m	kg	*420	*425	305	*370	205	215	3.23 m
1.0 m	kg	410	435	285	295	185	200	3.30 m
0.5 m	kg	390	415	280	295	185	200	3.31 m
G. L.	kg	365	385	265	285	190	205	3.21 m
-0.5 m	kg	355	385	260	280	210	225	3.04 m
-1.0 m	kg	375	405			250	265	2.63 m

Figures show the value at retracted undercarriage.

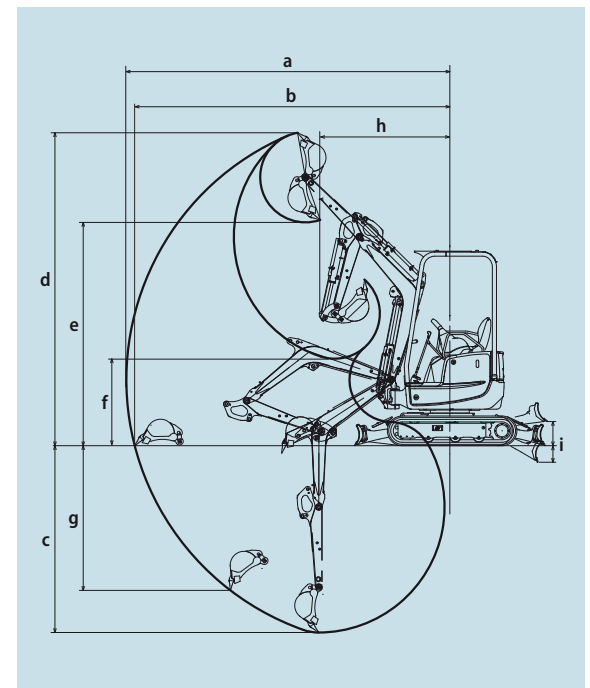
#### Notes:

- Do not attempt to lift or hold any load that is greater than these lift capacities at their specified lift point radius and heights. Weight of all accessories must be deducted from the above lift capacities.
- Lift capacities are based on machine standing on level, firm, and uniform ground. User must make allowance for job conditions such as soft or uneven ground, out of level conditions, side loads, sudden stopping of loads, hazardous conditions, experience of personnel, etc.
- Arm top defined as lift point.
- The above lifting capacities are in compliance with ISO 10567. They do not exceed 87% of hydraulic lifting capacity or 75% of tipping load. Lifting capacities marked with an asterisk (\*) are limited by hydraulic capacity rather than tipping load.
- Operator should be fully acquainted with the Operator's and Maintenance Instructions before operating this machine. Rules for safe operation of equipment should be adhered to at all times.
- Lift capacities apply to only machine as originally manufactured and normally equipped by KOBELCO CONSTRUCTION MACHINERY CO., LTD.

## SPECIFICATIONS

GENERAL			
<b>MODEL</b>		SK17SR	
Type		SK17SR-5	
PERFORMANCE			
Bucket Capacity	m <sup>3</sup>	0.05	
Travel Speed (high/low)	km/h	4.3/2.1	
Swing Speed	min <sup>-1</sup> {rpm}	9.5	
Gradeability	%(degree)	47 (30)	
Traction Force	kN	18.3	
Bucket Digging Force	kN	15.2	
Arm Crowding Force	kN	8.5	
WEIGHT			
Machine Mass	kg	1,690	
Ground Pressure	kPa	0.29	
Shoe Type		Rubber	
ENGINE			
Model		Yanmar 3TNV70-XBV	
Type		Water cooled, 4-cycle, 3-cylinder	
Power Output NET (ISO 9249)	kW/min <sup>-1</sup> (rpm)	10.1/2,200	
Max. Torque NET (ISO 9249)	N-m/min <sup>-1</sup> (rpm)	49.9/1,600	
Displacement	L	0.854	
Fuel Tank	L	20	
HYDRAULIC SYSTEM			
Pump		Two variable displacement pumps + one gear pump	
Max. Discharge Flow	L/min	2 x 17.6, 13.2	
Relief Valve Setting	MPa	20.6	
Hydraulic Oil Tank (system)	L	16.5 (26)	
DOZER BLADE			
Width x Height	mm	950/1,280 x 250	
Working Ranges (height/depth)	mm	260/205	
SIDE DIGGING MECHANISM			
Type		Boom swing	
Offset Angle	To the left	degree	42
	To the right	degree	65

## WORKING RANGES

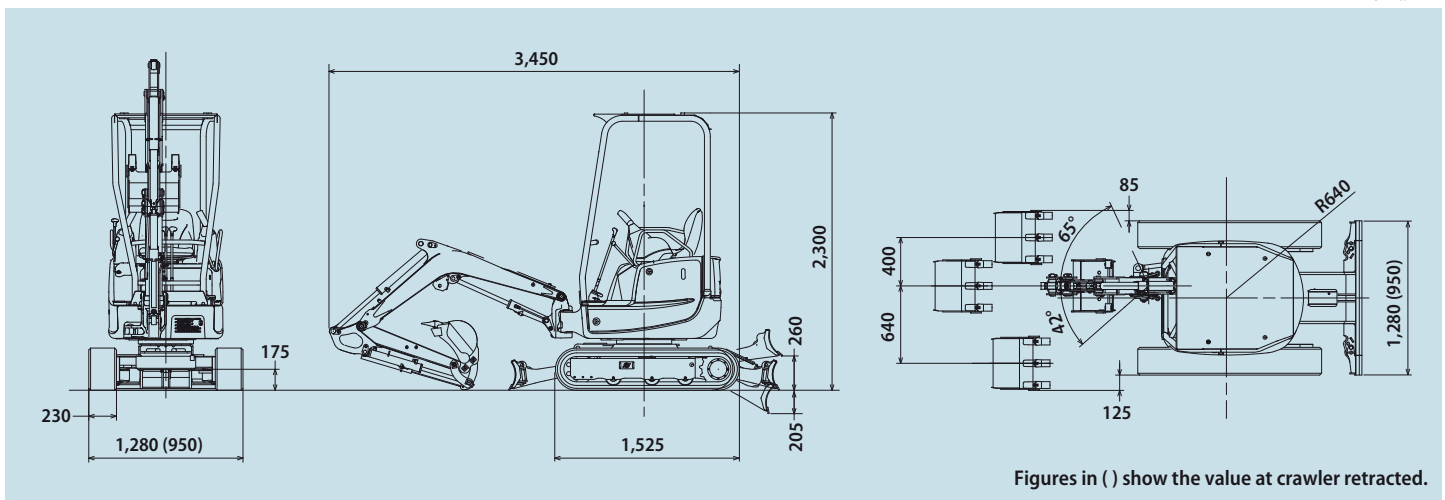


Unit: mm

MODEL	SK17SR
a- Max. digging reach	3,810
b- Max. digging reach at ground level	3,710
c- Max. digging depth	2,200
d- Max. digging height	3,690
e- Max. dumping clearance	2,630
f- Min. dumping clearance	1,025
g- Max. vertical wall digging depth	1,850
h- Min. swing radius (at boom swing)	1,535 (1,380)
i- Dozer blade (height/depth)	260/205

## GENERAL DIMENSIONS

Unit: mm



Figures in ( ) show the value at crawler retracted.

Note: This catalog may contain attachments and optional equipment that are not available in your area. And it may contain photographs of machines with specifications that differ from those of machines sold in your areas. Please consult your nearest KOBELCO distributor for those items you require. Due to our policy of continuous product improvements all designs and specifications are subject to change without advance notice.

Copyright by **KOBELCO CONSTRUCTION MACHINERY CO., LTD.** No part of this catalog may be reproduced in any manner without notice.

### Kobelco Construction Machinery Europe B.V.

Veluwezoom 15  
1327 AE Almere  
The Netherlands  
www.kobelco-europe.com

Inquiries To: