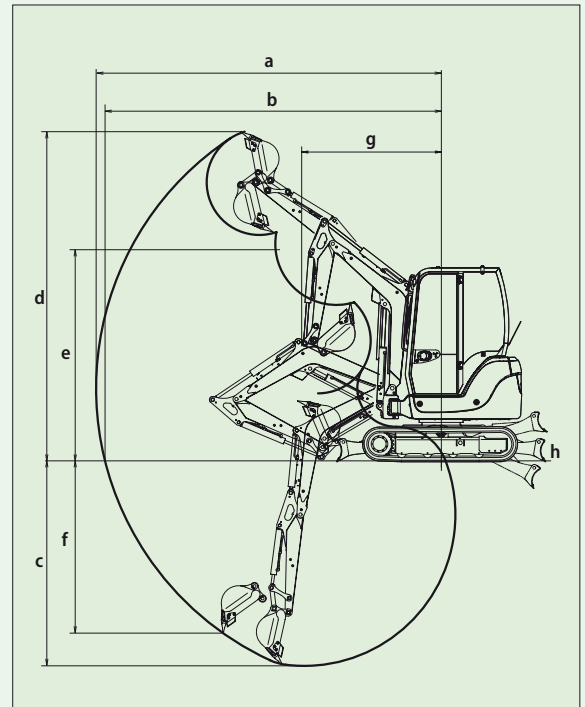


Specifications

GENERAL			
MODEL		SK22	
Type		SK22	
PERFORMANCE			
Shoe Type		Rubber	
Bucket Capacity		m ³ 0.04	
Travel Speed (high/low)		km/h 4.1/2.4	
Swing Speed		min ⁻¹ {rpm} 9.5	
Gradeability		% (degree) 47 (30)	
Traction Force		kN 20.4	
Bucket Digging Force		kN 18.6	
Arm Crowding Force		kN 11.8	
WEIGHT			
Machine Mass	Cab	kg	2,185
	Canopy	kg	2,045
Ground Pressure	Cab	kPa	26.5
	Canopy	kPa	24.5
ENGINE			
Model		YANMAR 3TNV76-SBVA2	
Type		Water cooled	
Power Output NET	(ISO9249)	kW/min ⁻¹ {rpm}	13.4/2,200
	(ISO14396)	kW/min ⁻¹ {rpm}	13.8/2,200
Max. Torque NET	(ISO9249)	N-m/min ⁻¹ {rpm}	67.7/1,600
Displacement		L 1.115	
Fuel Tank		L 29	
HYDRAULIC SYSTEM			
Pump		Variable pump	
Max. Discharge Flow		L/min	50
Relief Valve Setting		MPa	20.6
Hydraulic Oil Tank (system)		L	20 (32)
DOZER BLADE			
Width x Height		mm	1,380 x 300
Working Ranges (height/depth)		mm	370/340
SIDE DIGGING MECHANISM			
Type		Boom swing	
Offset Angle	To the left	degree	40
	To the right	degree	80

Working Ranges



Unit: mm

MODEL	SK22
a- Max. digging reach	4,240
b- Max. digging reach at ground level	4,130
c- Max. digging depth	2,480
d- Max. digging height	4,020
e- Max. dumping clearance	2,760
f- Max. vertical wall digging depth	2,085
g- Min. swing radius	1,700
g- Min. swing radius at boom swing	1,460
h- Dozer blade (height/depth)	370/340

General Dimensions

Unit: mm

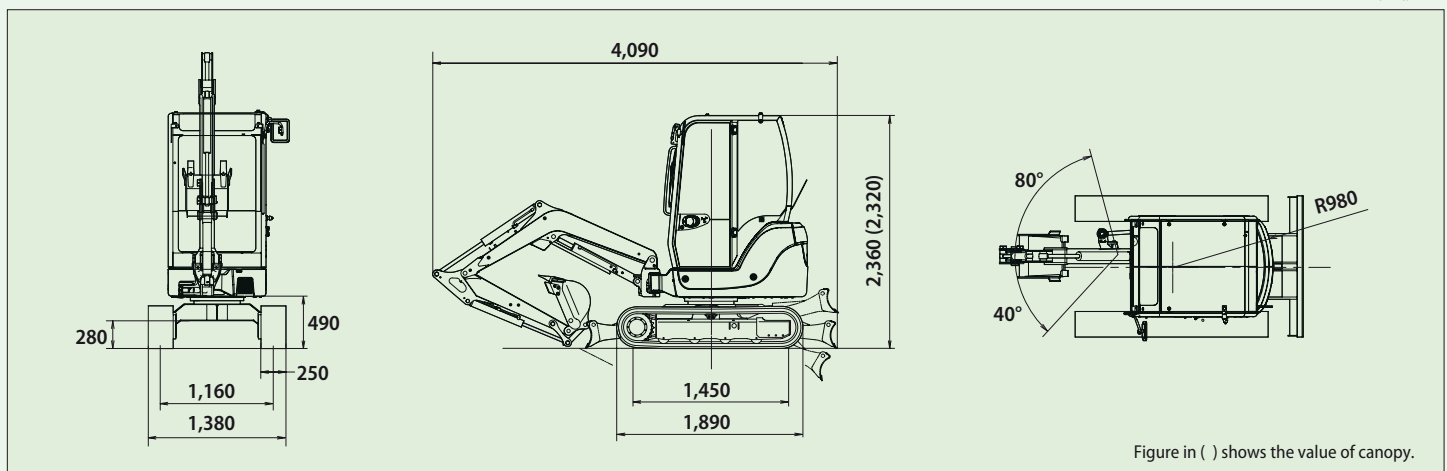
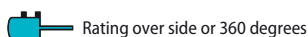
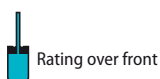
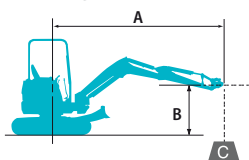


Figure in () shows the value of canopy.

Lifting Capacities



A: Reach from swing centerline to arm top
 B: Arm top height above/below ground
 C: Lifting capacities in kilograms
 Shoe: Rubber shoe Dozer blade: Up
 Relief valve setting: 20.6 MPa

CAB

SK22		Arm: Standard		Bucket: Without		Shoe: 250 mm								
B	A	1.5 m		2.0 m		2.5 m		3.0 m		3.5 m		At Max. Reach		Radius
2.5 m	kg							*470	*470			*505	345	3.2 m
2.0 m	kg					*505	*505	*480	*480			390	340	3.4 m
1.5 m	kg			*700	*720	*595	*595	460	420	345	320	345	320	3.5 m
1.0 m	kg			*965	720	590	520	450	400	355	320	345	300	3.6 m
0.5 m	kg	1,110	965	840	660	590	495	445	395	350	310	340	300	3.6 m
G. L.	kg	1,190	1,025	820	670	550	495	430	375	355	315	355	315	3.5 m
0.5 m	kg	1,065	1,060	650	660	490	505	385	355			360	330	3.2 m
-1.0 m	kg	*1,235	1,000	680	700	505	465					445	390	2.9 m
-1.5 m	kg	*830	*830	*550	*550							*560	*560	2.5 m

CANOPY

SK22		Arm: Standard		Bucket: Without		Shoe: 250 mm								
B	A	1.5 m		2.0 m		2.5 m		3.0 m		3.5 m		At Max. Reach		Radius
2.5 m	kg							*470	375			385	325	3.2 m
2.0 m	kg					*505	*505	*480	370			335	295	3.4 m
1.5 m	kg			*700	*720	505	470	400	365	295	275	295	275	3.5 m
1.0 m	kg			745	615	505	450	390	345	305	275	295	255	3.6 m
0.5 m	kg	855	780	715	555	505	430	380	340	300	265	295	260	3.6 m
G. L.	kg	940	840	690	565	470	425	370	325	305	270	305	270	3.5 m
0.5 m	kg	810	880	525	560	405	435	320	300			300	280	3.2 m
-1.0 m	kg	865	815	555	600	420	395					380	330	2.9 m
-1.5 m	kg	*830	*1,005	490	600							445	440	2.5 m

Notes:

- Do not attempt to lift or hold any load that is greater than these lift capacities at their specified lift point radius and heights. Weight of all accessories must be deducted from the above lift capacities.
- Lift capacities are based on machine standing on level, firm, and uniform ground. User must make allowance for job conditions such as soft or uneven ground, out of level conditions, side loads, sudden stopping of loads, hazardous conditions, experience of personnel, etc.
- Arm top defined as lift point.

- The above lifting capacities are in compliance with ISO 10567. They do not exceed 87% of hydraulic lifting capacity or 75% of tipping load. Lifting capacities marked with an asterisk (*) are limited by hydraulic capacity rather than tipping load.
- Operator should be fully acquainted with the Operator's and Maintenance Instructions before operating this machine. Rules for safe operation of equipment should be adhered to at all times.
- Lift capacities apply to only machine as originally manufactured and normally equipped by KOBELCO CONSTRUCTION MACHINERY CO., LTD.

Note: This catalog may contain attachments and optional equipment that are not available in your area. And it may contain photographs of machines with specifications that differ from those of machines sold in your areas. Please consult your nearest KOBELCO distributor for those items you require. Specialist equipment is needed to use this machine in demolition work. Before using it please contact your KOBELCO dealer.

Due to our policy of continuous product improvements all designs and specifications are subject to change without advance notice.

Copyright by **KOBELCO CONSTRUCTION MACHINERY CO., LTD.** No part of this catalog may be reproduced in any manner without notice.

Kobelco Construction Machinery Europe B.V.

Veluwezoom 15
 1327 AE Almere
 The Netherlands
www.kobelco-europe.com

Inquiries To: