

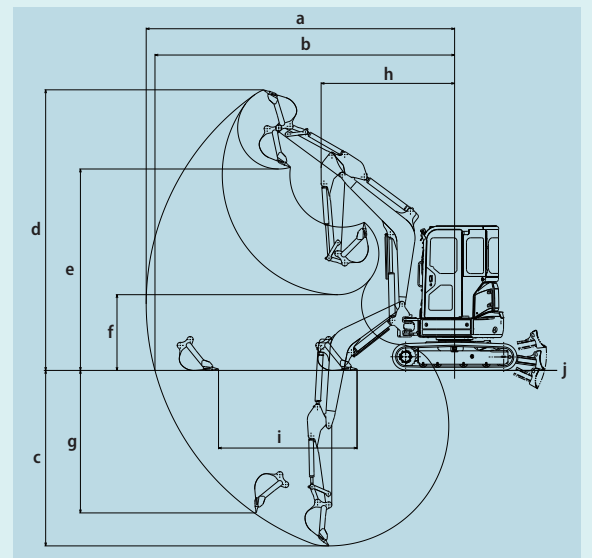
SPECIFICATIONS

MODEL		SK28SR	SK30SR	SK35SR	
Type		SK28SR-6	SK30SR-6	SK35SR-6	
Machine Mass	Cab	kg	2,950	3,380	3,770
	Canopy	kg	2,800	3,220	3,630
Bucket Capacity		m ³	0.08	0.09	0.11
Bucket Width (with side cutter)		mm	500	500	600
Arm Length		mm	1.18	1.32	1.37
Bucket Digging Force		kN	24.7	27.7	27.8
Arm Crowding Force		kN	16.6	19.1	22.4
ENGINE					
Model					
Type					
Water cooled, 4-cycle, 3-cylinder, direct injection, diesel engine					
Power Output	(ISO 9249)	kW/min ⁻¹	17.1/2,400		
	(ISO 14396)	kW/min ⁻¹	18.1/2,400		
Max. Torque	(ISO 9249)	N-m/min ⁻¹	77.7/1,440		
	(ISO 14396)	N-m/min ⁻¹	79.4/1,440		
Displacement		L	1.331		
Fuel Tank		L	42.0		
HYDRAULIC SYSTEM					
Pump					
Two variable displacement pumps + One gear pump					
Max. Discharge Flow		L/min	2 x 28.8, 1 x 16.1		
Relief Valve Setting		MPa	23.0		
Hydraulic Oil Tank (system)		L	20.4 (41.1)		
TRAVEL SYSTEM					
Travel Motors					
2 x axial-piston, two-step motors					
Parking Brake					
Oil disc brake per motor					
Travel Speed (high/low)		km/h	3.8/2.1		
Gradeability		% (degree)	58 (30)		
Drawbar Pulling Force	Cab	kN	34.8		
	Canopy	kN	34.9		
CRAWLER					
Shoe					
Rubber					
Shoe Width		mm	300		
Ground Pressure	Cab	kPa	26.3		
	Canopy	kPa	24.9		
DOZER BLADE					
Width x Height		mm	1,550 x 345		
Working Ranges (height/depth)		mm	375/300		
SWING SYSTEM					
Swing Motor					
Axial piston motor					
Parking Brake					
Oil disc brake, hydraulic operated automatically					
Swing Speed		min ⁻¹	8.4		

WORKING RANGES

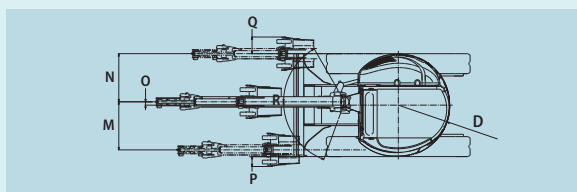
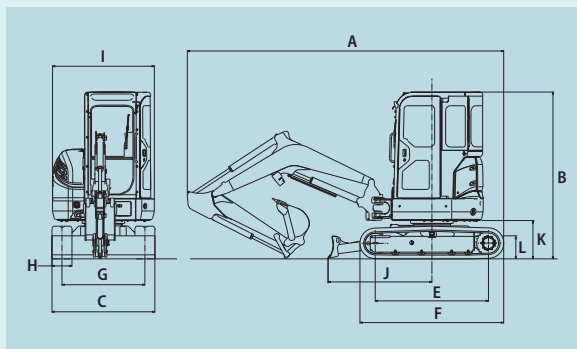
Unit: mm

MODEL	SK28SR	SK30SR	SK35SR		
		Cab	Canopy	Cab	Canopy
Arm length	1.18 m	1.32 m		1.37 m	
a- Max. digging reach	4,840	5,200		5,350	
b- Max. digging reach at ground level	4,680	5,040		5,200	
c- Max. digging depth	2,590	2,820	2,800	3,050	2,970
d- Max. digging height	4,480	4,800	5,050	4,870	5,040
e- Max. dumping clearance	3,090	3,420	3,640	3,490	3,650
f- Min. dumping clearance	1,290	1,300	1,430	1,310	1,400
g- Max. vertical wall digging depth	2,270	2,370		2,470	
h- Min. swing radius at boom swing	2,190	2,300	2,190	2,320	2,150
	1,900	1,910	1,890	1,930	1,880
i- Horizontal digging stroke at ground level	1,910	2,230		2,400	
j- Dozer blade (height/depth)	450/370	470/400		470/400	



GENERAL DIMENSIONS

Unit: mm



MODEL	SK28SR	SK30SR	SK35SR
A Overall length	4,510	4,730	4,820
B Overall height	2,510	2,510	2,510
C Overall width	1,550	1,550	1,700
D Tail swing radius	775	775	850
E Tumbler distance	1,700	1,700	1,700
F Overall length of crawler	2,160	2,160	2,160
G Track gauge	1,250	1,250	1,400
H Shoe width	300	300	300
I Overall width of upperstructure	1,530	1,530	1,530
J Distance from dozer top to center of upperstructure	1,500	1,560	1,560
K Ground clearance of rear end	570	570	570
L Ground clearance	300	300	300

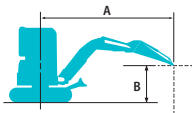
MODEL	SK28SR	SK30SR	SK35SR
M Offset volume (Left)	680	720	720
N Offset volume (Right)	675	725	725
O Offset volume between center of boom and center of machine	50	50	50
P Digging volume at outside of shoe (Left)	100	150	120
Q Digging volume at outside of shoe (Right)	200	250	225
R Boom swing angle (Left/Right)	60°/55°	70°/60°	70°/60°

OPTIONAL EQUIPMENT

• N&B (foot) piping + Rotating (HCP*) piping	• Bolt-on Pad shoes (for steel shoes)	• Rear view mirror
• N&B (HCP*) piping + Rotating (HCP*) piping	• Add-on counterweight (250 kg) + 90 mm tail swing radius	• Rear under mirror
• Color Multi display	• Boom & arm holding valve + hook	• Arm & bucket cylinder cover
• Long arm (+300 mm)	• Additional light for canopy	• Front guard
• Steel shoe	• Travel alarm	• Piping for Quick Hitch

*Hand Control Proportional

LIFTING CAPACITIES



Rating over front

Rating over side or 360 degrees

A: Reach from swing centerline to arm top
 B: Arm top height above/below ground
 C: Lifting capacities in kilograms
 Bucket: Without bucket Dozer blade: up
 Relief valve setting: 23.0 MPa

SK28SR Cab		Standard Arm		Bucket: without		Standard weight		Shoe: 300 mm			
		1.0 m		2.0 m		3.0 m		4.0 m		At Max. Reach	
		A		B		C		D		Radius	
3.0 m	kg					*620	520			500 390	3.51 m
2.0 m	kg			*1,140	970	640	500	390	310	390 310	4.00 m
1.0 m	kg					590	460	380	300	360 280	4.12 m
G. L.	kg			1,110	810	570	440			380 300	3.92 m
-1.0 m	kg	*2,070	*2,070	1,130	830	570	440			490 380	3.32 m

SK28SR Cab		Long Arm		Bucket: without		Standard weight		Shoe: 300 mm			
		1.0 m		2.0 m		3.0 m		4.0 m		At Max. Reach	
		A		B		C		D		Radius	
3.0 m	kg									420 330	3.85 m
2.0 m	kg					640	500	390	300	340 270	4.29 m
1.0 m	kg					590	450	370	290	320 240	4.40 m
G. L.	kg			1,060	770	550	420	360	270	330 250	4.22 m
-1.0 m	kg	*1,650	*1,650	1,070	770	540	410			400 310	3.68 m
-2.0 m	kg			1,130	830					780 590	2.47 m

SK30SR Cab		Standard Arm		Bucket: without		Standard weight		Shoe: 300 mm			
		1.0 m		2.0 m		3.0 m		4.0 m		At Max. Reach	
		A		B		C		D		Radius	
4.0 m	kg					800	640			760 610	3.08 m
3.0 m	kg									500 390	3.97 m
2.0 m	kg					770	600	480	380	410 330	4.38 m
1.0 m	kg					710	550	460	360	390 300	4.48 m
G. L.	kg			1,300	950	680	520	450	350	410 320	4.29 m
-1.0 m	kg	*2,050	*2,050	1,320	960	680	520			490 380	3.77 m
-2.0 m	kg			*970	*970					*650 *650	2.60 m

SK30SR Cab		Long Arm		Bucket: without		Standard weight		Shoe: 300 mm			
		1.0 m		2.0 m		3.0 m		4.0 m		At Max. Reach	
		A		B		C		D		Radius	
4.0 m	kg									610 490	3.52 m
3.0 m	kg							500	400	430 340	4.30 m
2.0 m	kg					780	610	480	380	370 290	4.68 m
1.0 m	kg					710	550	460	360	350 270	4.77 m
G. L.	kg			1,280	930	670	510	440	340	360 280	4.60 m
-1.0 m	kg	*1,660	*1,660	1,290	940	660	500	440	340	420 330	4.12 m
-2.0 m	kg			1,340	980	690	530			640 500	3.14 m

SK35SR Cab		Standard Arm		Bucket: without		Standard weight		Shoe: 300 mm			
		1.0 m		2.0 m		3.0 m		4.0 m		At Max. Reach	
		A		B		C		D		Radius	
4.0 m	kg									*730 *730	3.32 m
3.0 m	kg							610	570	570 530	4.15 m
2.0 m	kg					900	860	590	550	480 450	4.54 m
1.0 m	kg					860	790	570	530	460 430	4.63 m
G. L.	kg			1,590	1,420	830	760	550	510	480 440	4.45 m
-1.0 m	kg	*2,290	*2,290	1,610	1,440	830	760			560 520	3.95 m
-2.0 m	kg			*1,330	*1,330					*770 *770	2.90 m

SK35SR Cab		Long Arm		Bucket: without		Standard weight		Shoe: 300 mm			
		1.0 m		2.0 m		3.0 m		4.0 m		At Max. Reach	
		A		B		C		D		Radius	
4.0 m	kg									*640 630	3.74 m
3.0 m	kg							590	570	500 470	4.47 m
2.0 m	kg					*770	*770	590	550	430 410	4.83 m
1.0 m	kg					870	800	570	530	410 390	4.92 m
G. L.	kg			1,570	1,400	820	760	540	510	420 400	4.75 m
-1.0 m	kg	*1,870	*1,870	1,580	1,410	810	750	540	500	490 460	4.29 m
-2.0 m	kg	*3,080	*3,080	1,620	1,450	840	770			700 650	3.39 m

SK28SR Canopy		Standard Arm		Bucket: without		Standard weight		Shoe: 300 mm			
		1.0 m		2.0 m		3.0 m		4.0 m		At Max. Reach	
		A		B		C		D		Radius	
3.0 m	kg					*620	490			460 370	3.51 m
2.0 m	kg			*1,140	920	590	470	360	290	360 290	4.00 m
1.0 m	kg					550	430	350	280	330 260	4.12 m
G. L.	kg			1,030	760	530	410			350 280	3.92 m
-1.0 m	kg	*2,070	*2,070	1,050	780	530	410			460 360	3.32 m

SK28SR Canopy		Long Arm		Bucket: without		Standard weight		Shoe: 300 mm			
		1.0 m		2.0 m		3.0 m		4.0 m		At Max. Reach	
		A		B		C		D		Radius	
3.0 m	kg									400 310	3.85 m
2.0 m	kg					600	470	360	280	320 250	4.29 m
1.0 m	kg					540	420	340	270	290 230	4.40 m
G. L.	kg			980	710	510	390	330	250	300 230	4.22 m
-1.0 m	kg	*1,650	*1,650	990	720	500	380			370 290	3.68 m
-2.0 m	kg			1,050	770					730 550	2.47 m

SK30SR Canopy		Standard Arm		Bucket: without		Standard weight		Shoe: 300 mm			
		1.0 m		2.0 m		3.0 m		4.0 m		At Max. Reach	
		A		B		C		D		Radius	
4.0 m	kg					760	610			730 580	3.08 m
3.0 m	kg									470 370	3.97 m
2.0 m	kg					730	570	460	360	390 310	4.38 m
1.0 m	kg					670	520	430	340	360 290	4.48 m
G. L.	kg			1,230	890	640	490	420	330	380 300	4.29 m
-1.0 m	kg	*2,050	*2,050	1,250	910	640	490			460 360	3.77 m
-2.0 m	kg			*970	*970					*650 *650	2.60 m

SK30SR Canopy		Long Arm		Bucket: without		Standard weight		Shoe: 300 mm			
		1.0 m		2.0 m		3.0 m		4.0 m		At Max. Reach	
		A		B		C		D		Radius	
4.0 m	kg									580 460	3.52 m
3.0 m	kg							470	380	410 320	4.30 m
2.0 m	kg					740	580	460	360	350 270	4.68 m
1.0 m	kg					670	520	430	340	330 250	4.77 m
G. L.	kg			1,210	880	630	480	410	320	340 260	4.60 m
-1.0 m	kg	*1,660	*1,660	1,220	890	620	470	410	320	400 310	4.12 m
-2.0 m	kg			1,270	930	650	500			610 470	3.14 m

SK35SR Canopy		Standard Arm		Bucket: without		Standard weight		Shoe: 300 mm			
		1.0 m		2.0 m		3.0 m		4.0 m		At Max. Reach	
		A		B		C		D		Radius	
4.0 m	kg									*730 *730	3.32 m
3.0 m	kg							580	540	540 510	4.15 m
2.0 m	kg					890	820	560	530	460 430	4.54 m
1.0 m	kg					820	760	540	510	430 410	4.63 m
G. L.	kg			1,510	1,360	790	730	520	490	450 420	4.45 m
-1.0 m	kg	*2,290	*2,290	1,530	1,370	790	730			540 500	3.95 m
-2.0 m	kg			*1,330	*1,330					*770 *770	2.90 m

SK35SR Canopy		Long Arm		Bucket: without		Standard weight		Shoe: 300 mm			
		1.0 m		2.0 m		3.0 m		4.0 m		At Max. Reach	
		A		B		C		D		Radius	
4.0 m	kg									630 600	3.74 m
3.0 m	kg							590	550	470 440	4.47 m
2.0 m	kg					*770	*770	570	530	400 380	4.83 m
1.0 m	kg					830	770	540	500	380 360	4.92 m
G. L.	kg			1,490	1,340	780	720	520	480	390 370	4.75 m
-1.0 m	kg	*1,870	*1,870	1,500	1,350	750	710	510	480	450 430	4.29 m
-2.0 m	kg	*3,080	*3,080	1,550	1,390	800	740			650 610	3.39 m

Notes:

- Do not attempt to lift or hold any load that is greater than these lift capacities at their specified lift point radius and heights. Weight of all accessories must be deducted from the above lift capacities.
- Lift capacities are based on machine standing on level, firm, and uniform ground. User must make allowance for job conditions such as soft or uneven ground, out of level conditions, side loads, sudden stopping of loads, hazardous conditions, experience of personnel, etc.
- Arm top defined as lift point.

- The above lifting capacities are in compliance with ISO 10567. They do not exceed 87% of hydraulic lifting capacity or 75% of tipping load. Lifting capacities marked with an asterisk (*) are limited by hydraulic capacity rather than tipping load.
- Operator should be fully acquainted with the Operator's and Maintenance Instructions before operating this machine. Rules for safe operation of equipment should be adhered to at all times.
- Lift capacities apply to only machine as originally manufactured and normally equipped by KOBELCO CONSTRUCTION MACHINERY CO., LTD.

Note: This catalog may contain attachments and optional equipment that are not available in your area. And it may contain photographs of machines with specifications that differ from those of machines sold in your area. Please consult your nearest KOBELCO distributor for those items you require.

Due to our policy of continuous product improvements all designs and specifications are subject to change without advance notice.

Copyright by **KOBELCO CONSTRUCTION MACHINERY CO., LTD.** No part of this catalog may be reproduced in any manner without notice.

Kobelco Construction Machinery Europe B.V.

Veluwezoom 15
 1327 AE Almere
 The Netherlands
 www.kobelco-europe.com