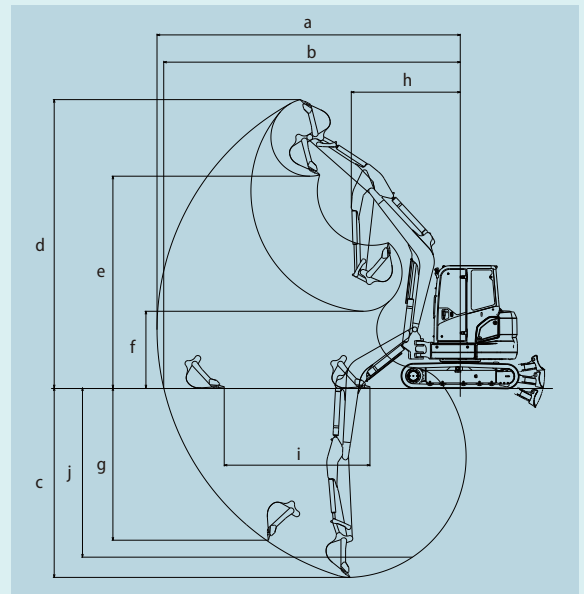


SPECIFICATIONS

GENERAL						
MODEL		SK45SRX		SK55SRX		
Type		SK45SRX-6		SK55SRX-6		
Crawler Shoe		Rubber	Steel	Rubber	Steel	
Machine Mass	Cab	kg	4,540	4,680	5,020	5,160
	Canopy	kg	4,430	4,570	4,900	5,040
Bucket Capacity		m ³	0.14		0.16	
Bucket Width (with side cutter)		mm	600		600	
Arm Length		m	1.55		1.69	
Bucket Digging Force		kN	35.2		35.2	
Arm Crowding Force		kN	20.9		24.6	
ENGINE						
Model		YANMAR 4TNV88-B				
Type		Water cooled, 4-cycle, 4-cylinder, direct injection, diesel engine				
Power Output	(ISO 9249)	kW/min ⁻¹	28.3/2,400			
	(ISO 14396)	kW/min ⁻¹	29.5/2,400			
Max. Torque	(ISO 9249)	N-m/min ⁻¹	131.1/1,440			
	(ISO 14396)	N-m/min ⁻¹	132.9/1,440			
Displacement		L	2.189			
Fuel Tank		L	75.0			
HYDRAULIC SYSTEM						
Pump		Two variable displacement pumps + one gear pump				
Max. Discharge Flow		L/min	2 x 49.9, 1 x 33.8			
Relief Valve Setting		MPa	23.0			
Hydraulic Oil Tank (system)		L	27.9 (57.7)			
TRAVEL SYSTEM						
Travel Motors		2 x axial-piston, two-step motors				
Parking Brake		Oil disc brake per motor				
Travel Speed (high/low)		km/h	4.0/2.3	3.7/2.1	4.0/2.3	3.7/2.1
Gradeability		% (degree)	58 (30)			
Drawbar Pulling Force		kN	55.2	59.4	54.9	59.1
CRAWLER						
Shoe Width		mm	400			
Ground Pressure	Cab	kPa	26.1	27.7	28.7	30.4
	Canopy	kPa	25.4	27.0	28.0	29.7
DOZER BLADE						
Width x Height		mm	1,960 x 345			
Working Ranges (height/depth)		mm	375 x 385			
SWING SYSTEM						
Swing Motor		Axial piston motor				
Parking Brake		Oil disc brake, hydraulic operated automatically				
Swing Speed		min ⁻¹	8.8			

WORKING RANGES



Standard Arm

Unit: mm

MODEL	SK45SRX	SK55SRX
Arm length	1.55 m	1.69 m
a- Max. digging reach	5,850	6,240
b- Max. digging reach at ground level	5,700	6,100
c- Max. digging depth	3,440	3,900
d- Max. digging height	5,660	5,930
e- Max. dumping clearance	4,080	4,350
f- Min. dumping clearance	1,510	1,580
g- Max. vertical wall digging depth	2,820	3,140
h- Min. swing radius at boom swing	2,250	2,250
i- Horizontal digging stroke at ground level	2,650	3,000
j- Digging depth for 2.4 m (8') flat bottom	3,020	3,480

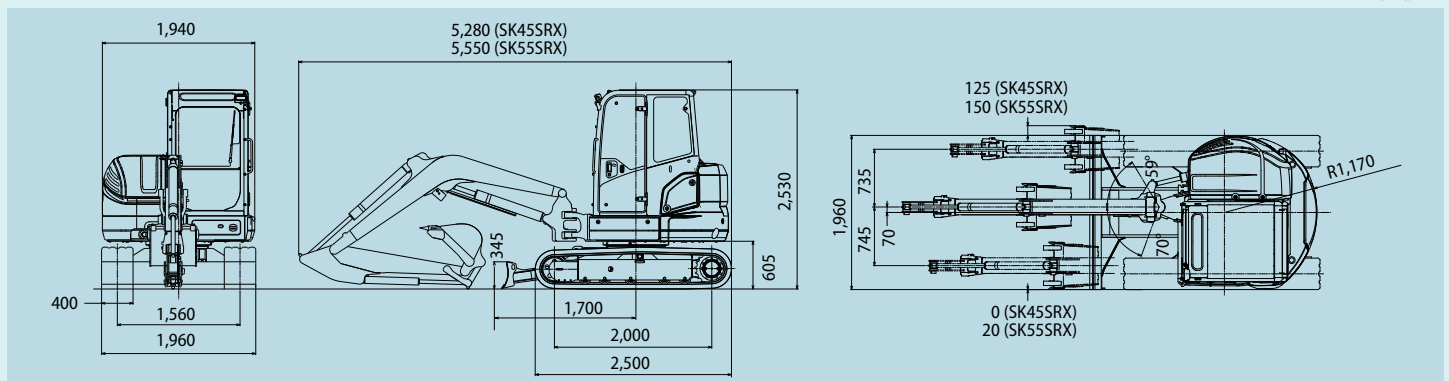
Long Arm

Unit: mm

MODEL	SK45SRX	SK55SRX
Arm length	1.69 m	1.92 m
a- Max. digging reach	5,970	6,460
b- Max. digging reach at ground level	5,820	6,330
c- Max. digging depth	3,580	4,120
d- Max. digging height	5,740	6,100
e- Max. dumping clearance	4,160	4,520
f- Min. dumping clearance	1,370	1,360
g- Max. vertical wall digging depth	2,930	3,350
h- Min. swing radius at boom swing	2,260	2,270
i- Horizontal digging stroke at ground level	4,270	2,270
j- Digging depth for 2.4 m (8') flat bottom	3,170	3,730

GENERAL DIMENSIONS

Unit: mm



OPTIONAL EQUIPMENT

• Rotating N&B (HCP*) piping	• Steel shoe	• Front guard for cab and canopy	• Rear view mirror
• N&B (HCP*) piping	• Bolt-on Pad shoes (for steel shoes)	• Canopy light	• Rear under mirror
• Object Handling Kit*1	• Arm for Quick Hitch / Quick Hitch piping	• ROPS cab with air conditioner	• Travel alarm
• Wide range of buckets	• Color Multi Display	• 1.69 m long arm for SK45SRX (+140 mm)	
• 1.92 m long arm for SK55SRX (+230 mm)	• Arm & bucket cylinder guard	• Add-on counterweight (250 kg)	

*Hand Control Proportional *1 Boom and arm safety valve + hook

