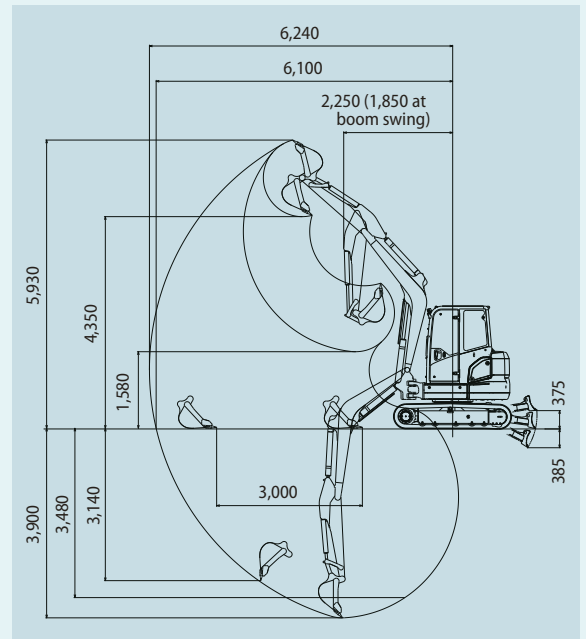


SPECIFICATIONS

GENERAL				
MODEL		SK55SRX		
Type		SK55SRX-6		
Crawler Shoe		Rubber	Steel	
Machine Mass	Cab	kg	5,020	5,160
	Canopy	kg	4,900	5,040
Bucket Capacity		m ³	0.16	
Bucket Width (with side cutter)		mm	600	
Arm Length		mm	1.69	
Bucket Digging Force		kN	35.2	
Arm Crowding Force		kN	24.6	
ENGINE				
Model		YANMAR 4TNV88-B		
Type		Water cooled, 4-cycle, 4-cylinder, direct injection, diesel engine		
Power Output	(ISO 9249)	kW/min ⁻¹	28.3/2,400	
	(ISO 14396)	kW/min ⁻¹	29.6/2,400	
Max. Torque	(ISO 9249)	N-m/min ⁻¹	131.1/1,440	
	(ISO 14396)	N-m/min ⁻¹	132.9/1,400	
Displacement		L	2.189	
Fuel Tank		L	75.0	
HYDRAULIC SYSTEM				
Pump		Two variable displacement pumps + one gear pump		
Max. Discharge Flow		L/min	2 x 49.9, 1 x 33.8	
Relief Valve Setting		MPa	23.0	
Hydraulic Oil Tank (system)		L	27.9 (57.7)	
TRAVEL SYSTEM				
Travel Motors		2 x axial-piston, two-step motors		
Parking Brake		Oil disc brake per motor		
Travel Speed (high/low)		km/h	4.0/2.3	3.7/2.1
Gradeability		% (degree)	58 (30)	
Drawbar Pulling Force		kN	54.9	
CRAWLER				
Shoe Width		mm	400	
Ground Pressure	Cab	kPa	28.7	30.4
	Canopy	kPa	28.0	29.7
DOZER BLADE				
Width x Height		mm	1,960 x 345	
Working Ranges (height/depth)		mm	375 x 385	
SWING SYSTEM				
Swing Motor		Axial piston motor		
Parking Brake		Oil disc brake, hydraulic operated automatically		
Swing Speed		min ⁻¹	8.8	

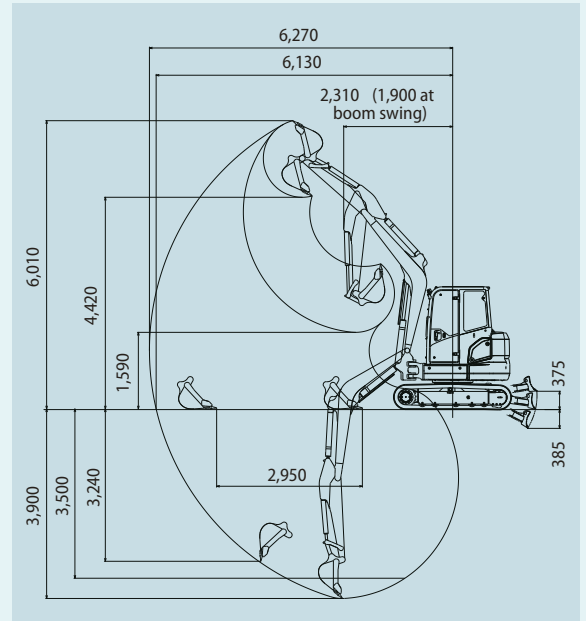
WORKING RANGES

Unit: mm



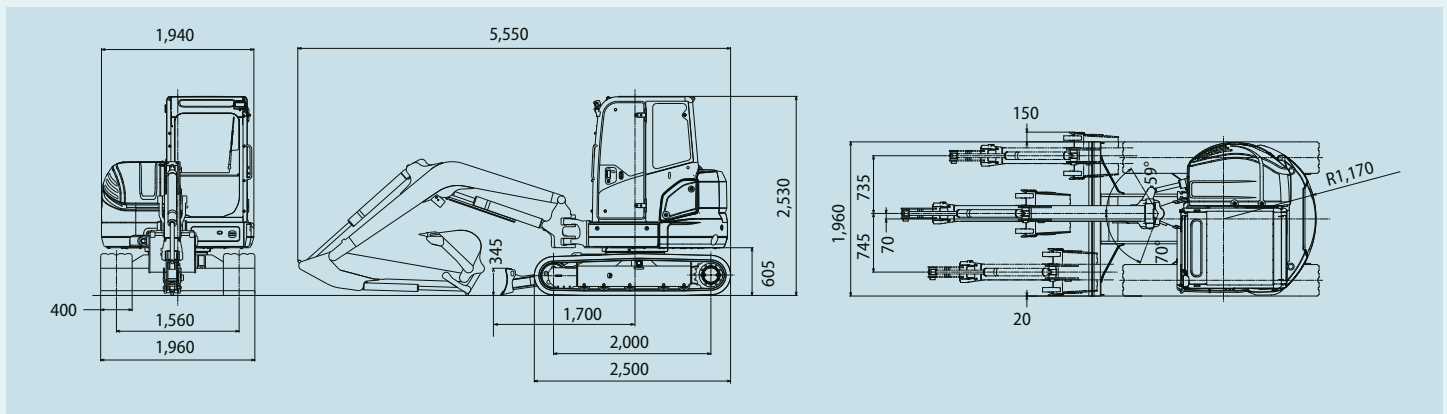
■ Arm for Quick Hitch

Unit: mm



GENERAL DIMENSIONS

Unit: mm

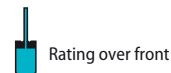
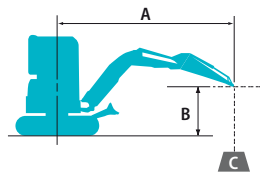


OPTIONAL EQUIPMENT

- Rotating N&B (HCP*) piping
- ROPS cab with air conditioner
- Steel shoe
- Arm for Quick Hitch / Quick Hitch piping
- Bolt-on Pad shoes (for steel shoes)
- Add-on counterweight (250 kg)
- Boom & arm holding valve
- Wide range of buckets
- Rear view mirror
- Rear under mirror
- 1.92 m long arm (+230 mm)

*Hand Control Proportional

LIFTING CAPACITIES



Rating over front



Rating over side or 360 degrees

A: Reach from swing centerline to arm top
 B: Arm top height above/below ground
 C: Lifting capacities in kilograms
 Shoe: Rubber shoe Dozer blade: Up
 Relief valve setting: 23.0 MPa

SK55SRX Cab		Standard Arm: 1.69 m		Bucket: Without		Rubber shoe: 400 mm								
B	A	1.0 m		2.0 m		3.0 m		4.0 m		5.0 m		At Max. Reach	Radius	
		Rating over front	Rating over side or 360 degrees	Rating over front	Rating over side or 360 degrees	Rating over front	Rating over side or 360 degrees	Rating over front	Rating over side or 360 degrees	Rating over front	Rating over side or 360 degrees			
5.0 m	kg											*1,030	*1,030	3.38 m
4.0 m	kg											960	810	4.47 m
3.0 m	kg											780	660	5.07 m
2.0 m	kg											660	700	5.37 m
1.0 m	kg											680	570	5.43 m
G. L.	kg											700	580	5.27 m
-1.0 m	kg	*2,070	*2,070	*2,570	2,490	1,580	1,270	1,020	840			780	650	4.85 m
-2.0 m	kg	*3,200	*3,200	*3,370	2,540	1,610	1,290	1,040	860			1,010	840	4.09 m
-3.0 m	kg			*1,590	*1,590							*1,190	*1,190	2.52 m

SK55SRX Canopy		Standard Arm: 1.69 m		Bucket: Without		Rubber shoe: 400 mm								
B	A	1.0 m		2.0 m		3.0 m		4.0 m		5.0 m		At Max. Reach	Radius	
		Rating over front	Rating over side or 360 degrees	Rating over front	Rating over side or 360 degrees	Rating over front	Rating over side or 360 degrees	Rating over front	Rating over side or 360 degrees	Rating over front	Rating over side or 360 degrees			
5.0 m	kg											*1,030	*1,030	3.38 m
4.0 m	kg											940	790	4.47 m
3.0 m	kg											900	760	5.07 m
2.0 m	kg											900	820	5.37 m
1.0 m	kg											860	740	5.43 m
G. L.	kg											830	730	5.27 m
-1.0 m	kg	*2,070	*2,070	*2,570	2,420	1,530	1,230	990	820			760	630	4.85 m
-2.0 m	kg	*3,200	*3,200	3,300	2,470	1,560	1,260	1,010	840			980	810	4.09 m
-3.0 m	kg			*1,590	*1,590							*1,190	*1,190	2.52 m

SK55SRX Cab		Standard Arm: 1.69 m		Bucket: Without		Rubber shoe: 400 mm		Add-on Counterweight (250 kg)						
B	A	1.0 m		2.0 m		3.0 m		4.0 m		5.0 m		At Max. Reach	Radius	
		Rating over front	Rating over side or 360 degrees	Rating over front	Rating over side or 360 degrees	Rating over front	Rating over side or 360 degrees	Rating over front	Rating over side or 360 degrees	Rating over front	Rating over side or 360 degrees			
5.0 m	kg											*1,030	*1,030	3.38 m
4.0 m	kg											930	930	4.47 m
3.0 m	kg											910	770	5.07 m
2.0 m	kg											890	680	5.37 m
1.0 m	kg											890	750	5.43 m
G. L.	kg											800	670	5.27 m
-1.0 m	kg	*2,070	*2,070	*2,570	2,490	1,800	1,450	1,170	970			890	750	4.85 m
-2.0 m	kg	*3,200	*3,200	*3,370	2,880	1,820	1,480	1,190	990			1,150	960	4.09 m
-3.0 m	kg			*1,590	*1,590							*1,190	*1,190	2.52 m

SK55SRX Canopy		Standard Arm: 1.69 m		Bucket: Without		Rubber shoe: 400 mm		Add-on Counterweight (250 kg)						
B	A	1.0 m		2.0 m		3.0 m		4.0 m		5.0 m		At Max. Reach	Radius	
		Rating over front	Rating over side or 360 degrees	Rating over front	Rating over side or 360 degrees	Rating over front	Rating over side or 360 degrees	Rating over front	Rating over side or 360 degrees	Rating over front	Rating over side or 360 degrees			
5.0 m	kg											*1,030	*1,030	3.38 m
4.0 m	kg											930	930	4.47 m
3.0 m	kg											900	1,000	5.07 m
2.0 m	kg											880	750	5.37 m
1.0 m	kg											880	750	5.43 m
G. L.	kg											840	700	5.27 m
-1.0 m	kg	*2,070	*2,070	*2,570	2,570	1,750	1,420	1,140	940			870	730	4.85 m
-2.0 m	kg	*3,200	*3,200	*3,370	2,810	1,770	1,440	1,160	960			1,120	940	4.09 m
-3.0 m	kg			*1,590	*1,590							*1,190	*1,190	2.52 m

SK55SRX Cab		Long Arm: 1.92 m		Bucket: Without		Rubber shoe: 400 mm								
B	A	1.0 m		2.0 m		3.0 m		4.0 m		5.0 m		At Max. Reach	Radius	
		Rating over front	Rating over side or 360 degrees	Rating over front	Rating over side or 360 degrees	Rating over front	Rating over side or 360 degrees	Rating over front	Rating over side or 360 degrees	Rating over front	Rating over side or 360 degrees			
5.0 m	kg											*930	*930	3.76 m
4.0 m	kg											870	730	4.75 m
3.0 m	kg											720	600	5.31 m
2.0 m	kg											650	540	5.59 m
1.0 m	kg											630	520	5.65 m
G. L.	kg											640	530	5.50 m
-1.0 m	kg	*1,810	*1,810	*2,360	*2,360	1,540	1,230	1,000	820	730	610	710	590	5.10 m
-2.0 m	kg	*2,780	*2,780	3,310	2,460	1,560	1,250	1,010	830			890	730	4.39 m
-3.0 m	kg			*2,160	*2,160	*1,270	*1,270					*1,210	*1,210	3.07 m

SK55SRX Canopy		Long Arm: 1.92 m		Bucket: Without		Rubber shoe: 400 mm								
B	A	1.0 m		2.0 m		3.0 m		4.0 m		5.0 m		At Max. Reach	Radius	
		Rating over front	Rating over side or 360 degrees	Rating over front	Rating over side or 360 degrees	Rating over front	Rating over side or 360 degrees	Rating over front	Rating over side or 360 degrees	Rating over front	Rating over side or 360 degrees			
5.0 m	kg											*930	*930	3.76 m
4.0 m	kg											850	710	4.75 m
3.0 m	kg											900	900	5.31 m
2.0 m	kg											880	750	5.59 m
1.0 m	kg											850	730	5.65 m
G. L.	kg											810	710	5.50 m
-1.0 m	kg	*1,810	*1,810	*2,360	2,340	1,490	1,200	970	790	710	590	690	570	5.10 m
-2.0 m	kg	*2,780	*2,780	3,210	2,390	1,520	1,210	980	810			860	710	4.39 m
-3.0 m	kg			*2,160	*2,160	*1,270	*1,270					*1,210	*1,210	3.07 m

SK55SRX Cab		Long Arm: 1.92 m		Bucket: Without		Rubber shoe: 400 mm		Add-on counterweight (250 kg)						
B	A	1.0 m		2.0 m		3.0 m		4.0 m		5.0 m		At Max. Reach	Radius	
		Rating over front	Rating over side or 360 degrees	Rating over front	Rating over side or 360 degrees	Rating over front	Rating over side or 360 degrees	Rating over front	Rating over side or 360 degrees	Rating over front	Rating over side or 360 degrees			
5.0 m	kg											*930	*930	3.76 m
4.0 m	kg											920	830	4.75 m
3.0 m	kg											900	900	5.31 m
2.0 m	kg											890	750	5.59 m
1.0 m	kg											890	720	5.65 m
G. L.	kg											740	620	5.50 m
-1.0 m	kg	*1,810	*1,810	*2,360	*2,360	1,750	1,410	1,140	940	840	700	810	680	5.10 m
-2.0 m	kg	*2,780	*2,780	*3,630	2,800	1,780	1,430	1,150	950			1,010	840	4.39 m
-3.0 m	kg			*2,160	*2,160	*1,270	*1,270					*1,210	*1,210	3.07 m

SK55SRX Canopy		Long Arm: 1.92 m		Bucket: Without		Rubber shoe: 400 mm		Add-on counterweight (250 kg)						
B	A	1.0 m		2.0 m		3.0 m		4.0 m		5.0 m		At Max. Reach	Radius	
		Rating over front	Rating over side or 360 degrees	Rating over front	Rating over side or 360 degrees	Rating over front	Rating over side or 360 degrees	Rating over front	Rating over side or 360 degrees	Rating over front	Rating over side or 360 degrees			
5.0 m	kg											*930	*930	3.76 m
4.0 m	kg											920	810	4.75 m
3.0 m	kg											900	900	5.31 m
2.0 m	kg											880	750	5.59 m
1.0 m	kg											880	700	5.65 m
G. L.	kg											930	820	5.50 m
-1.0 m	kg	*1,810	*1,810	*2,360	*2,360	1,710	1,380	1,110	910	810	680	790	660	5.10 m
-2.0 m	kg	*2,780	*2,780	*3,630	2,730	1,730	1,390	1,120	930			990	820	4.39 m
-3.0 m	kg			*2,160	*2,160	*1,270	*1,270					*1,210	*1,210	3.07 m

Notes:

- Do not attempt to lift or hold any load that is greater than these lift capacities at their specified lift point radius and heights. Weight of all accessories must be deducted from the above lift capacities.
- Lift capacities are based on machine standing on level, firm, and uniform ground. User must make allowance for job conditions such as soft or uneven ground, out of level conditions, side loads, sudden stopping of loads, hazardous conditions, experience of personnel, etc.
- Arm top defined as lift point.

- The above lifting capacities are in compliance with ISO 10567. They do not exceed 87% of hydraulic lifting capacity or 75% of tipping load. Lifting capacities marked with an asterisk (*) are limited by hydraulic capacity rather than tipping load.
- Operator should be fully acquainted with the Operator's and Maintenance Instructions before operating this machine. Rules for safe operation of equipment should be adhered to at all times.
- Lift capacities apply to only machine as originally manufactured and normally equipped by KOBELCO CONSTRUCTION MACHINERY CO., LTD.

Note: This catalog may contain attachments and optional equipment that are not available in your area. And it may contain photographs of machines with specifications that differ from those of machines sold in your area. Please consult your nearest KOBELCO distributor for those items you require.
 Due to our policy of continuous product improvements all designs and specifications are subject to change without advance notice.
 Copyright by **KOBELCO CONSTRUCTION MACHINERY CO., LTD.** No part of this catalog may be reproduced in any manner without notice.

Kobelco Construction Machinery Europe B.V.

Veluwezoom 15
 1327 AE Almere
 The Netherlands
 www.kobelco-europe.com

Inquiries To: