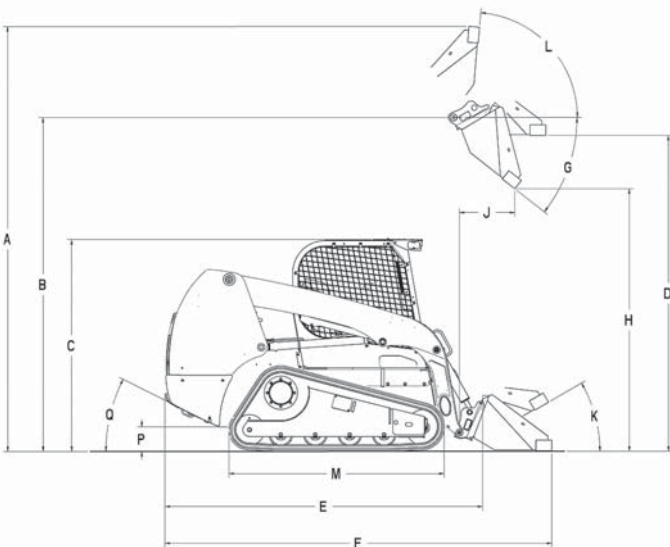


	TR270	TR320	TV380
PERFORMANCE SPECS			
Rated Operating Capacity 50%	50%: 1225	50%: 1451	50%: 1723
ROC with counterweights 50%	50%: 1280	50%: 1676	50%: 1948
Rated Operating Capacity 35%	35%: 859	35%: 1018	35%: 1209
ROC with counterweights 35%	35%: 899	35%: 1203	35%: 1394
Tipping Load	2449 kg	2902 kg	3447 kg
Lift Cylinder Breakout Force*	27 kN	34.5 kN	26.8 kN
Bucket Cylinder Breakout Force*	3.3 kN	38.7 kN	33.4 kN
ENGINE			
Engine Brand	FPT	FPT	FPT
Displacement	3.2 l	3.2 l	3.2 l
Horsepower	74 hp @ 2500 rpm	90 hp @ 2500 rpm	90 hp @ 2500 rpm
Peak torque	275 Nm @ 1400 rpm	383 Nm @ 1400 rpm	383 Nm @ 1400 rpm
TRAVEL SPEED			
Low Range	8.2 km/h	8.2 km/h	8.2 km/h
High Range (Optional)	12.2 km/h	12.2 km/h	12.2 km/h
HYDRAULIC SYSTEM			
Pump flow	85 LPM	92 LPM	92 LPM
Optional high flow	116 LPM	131 LPM	131 LPM
Relief Pressure	210 bar	210 bar	210 bar
WEIGHTS			
Operating Weight	3750 kg	4355 kg	4625 kg
Shipping Weight	3615 kg	4200 kg	4475 kg
SERVICE CAPACITY			
Fuel Tank	75.5 l	96.5 l	96.5 l

* Breakout forces estimated considering both tip and hydraulic limits.



	TR270	TR320	TV380
A. Overall operating height	3.89 m	4.01 m	4.22 m
B. Height to bucket hinge pin	3.12 m	3.21 m	3.34 m
C. Height to top of ROPS	1.99 m	2.04 m	2.04 m
D. Bottom of bucket fully raised	NA	NA	NA
Overall length -			
E. without attachment	2.67 m	2.95 m	2.95 m
F. with bucket	NA	NA	NA
G. Dump angle	39.6°	38.3°	53.5°
H. Dump height with bucket	2.49 m	2.6 m	2.6 m
J. Dump reach @ max. height	0.57 m	0.54 m	0.79 m
Max. attachment rollback -			
K. at ground level	31°	29.7°	34°
L. at full height	98.6°	99.7°	86°
P. Ground clearance	0.20 m	0.24 m	0.24 m
Q. Angle of departure	32°	32°	32°
Overall width	1.68 m	1.93 m	1.93 m

NOTE: Standard and optional fittings can vary according to the demands and specific regulations of each country. The illustrations may include optional rather than standard fittings - consult your Case dealer. Furthermore, CNH Industrial reserves the right to modify machine specifications without incurring any obligation relating to such changes.

Conforms to directive 2006/42/EC



Superior serviceability

Ask your technicians. Case has a reputation for easy-to-maintain and service equipment. The new Case CTLs are no exception, with features such as remote-mounted filters, ground-line access for daily maintenance checks and grouped service checkpoints.