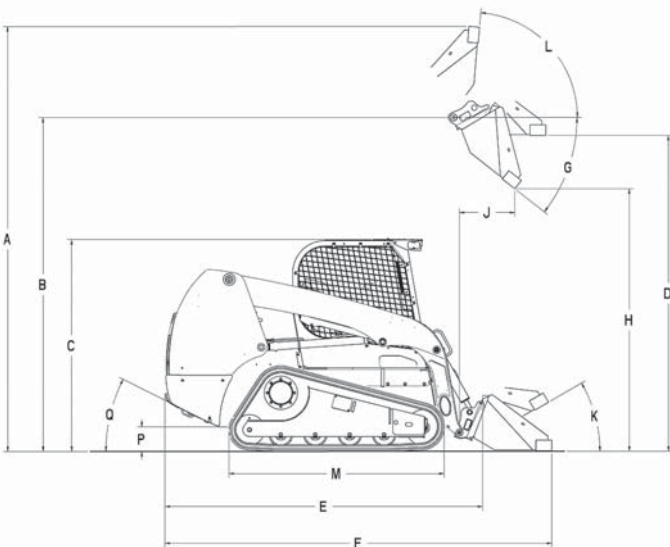


| | TR270 | TR320 | TV380 |
|---------------------------------|-------------------|-------------------|-------------------|
| PERFORMANCE SPECS | | | |
| Rated Operating Capacity 50% | 50%: 1225 | 50%: 1451 | 50%: 1723 |
| ROC with counterweights 50% | 50%: 1280 | 50%: 1676 | 50%: 1948 |
| Rated Operating Capacity 35% | 35%: 859 | 35%: 1018 | 35%: 1209 |
| ROC with counterweights 35% | 35%: 899 | 35%: 1203 | 35%: 1394 |
| Tipping Load | 2449 kg | 2902 kg | 3447 kg |
| Lift Cylinder Breakout Force* | 27 kN | 34.5 kN | 26.8 kN |
| Bucket Cylinder Breakout Force* | 3.3 kN | 38.7 kN | 33.4 kN |
| ENGINE | | | |
| Engine Brand | FPT | FPT | FPT |
| Displacement | 3.2 l | 3.2 l | 3.2 l |
| Horsepower | 74 hp @ 2500 rpm | 90 hp @ 2500 rpm | 90 hp @ 2500 rpm |
| Peak torque | 275 Nm @ 1400 rpm | 383 Nm @ 1400 rpm | 383 Nm @ 1400 rpm |
| TRAVEL SPEED | | | |
| Low Range | 8.2 km/h | 8.2 km/h | 8.2 km/h |
| High Range (Optional) | 12.2 km/h | 12.2 km/h | 12.2 km/h |
| HYDRAULIC SYSTEM | | | |
| Pump flow | 85 LPM | 92 LPM | 92 LPM |
| Optional high flow | 116 LPM | 131 LPM | 131 LPM |
| Relief Pressure | 210 bar | 210 bar | 210 bar |
| WEIGHTS | | | |
| Operating Weight | 3750 kg | 4355 kg | 4625 kg |
| Shipping Weight | 3615 kg | 4200 kg | 4475 kg |
| SERVICE CAPACITY | | | |
| Fuel Tank | 75.5 l | 96.5 l | 96.5 l |

* Breakout forces estimated considering both tip and hydraulic limits.



| | TR270 | TR320 | TV380 |
|----------------------------------|--------|--------|--------|
| A. Overall operating height | 3.89 m | 4.01 m | 4.22 m |
| B. Height to bucket hinge pin | 3.12 m | 3.21 m | 3.34 m |
| C. Height to top of ROPS | 1.99 m | 2.04 m | 2.04 m |
| D. Bottom of bucket fully raised | NA | NA | NA |
| Overall length - | | | |
| E. without attachment | 2.67 m | 2.95 m | 2.95 m |
| F. with bucket | NA | NA | NA |
| G. Dump angle | 39.6° | 38.3° | 53.5° |
| H. Dump height with bucket | 2.49 m | 2.6 m | 2.6 m |
| J. Dump reach @ max. height | 0.57 m | 0.54 m | 0.79 m |
| Max. attachment rollback - | | | |
| K. at ground level | 31° | 29.7° | 34° |
| L. at full height | 98.6° | 99.7° | 86° |
| P. Ground clearance | 0.20 m | 0.24 m | 0.24 m |
| Q. Angle of departure | 32° | 32° | 32° |
| Overall width | 1.68 m | 1.93 m | 1.93 m |

NOTE: Standard and optional fittings can vary according to the demands and specific regulations of each country. The illustrations may include optional rather than standard fittings - consult your Case dealer. Furthermore, CNH Industrial reserves the right to modify machine specifications without incurring any obligation relating to such changes.

Conforms to directive 2006/42/EC



Superior serviceability

Ask your technicians. Case has a reputation for easy-to-maintain and service equipment. The new Case CTLs are no exception, with features such as remote-mounted filters, ground-line access for daily maintenance checks and grouped service checkpoints.