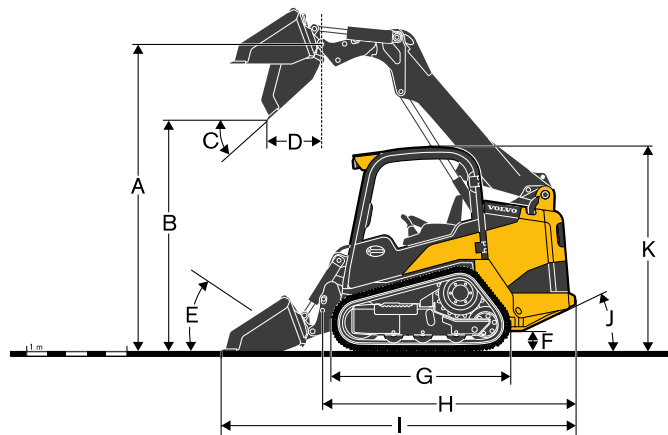
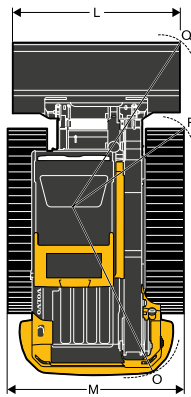


# Specifications

		MCT85C
<b>Engine</b>		
Model		KDI 2054 TCR
Cylinders		4
Fuel type		Diesel
Displacement	cm <sup>3</sup> (in <sup>3</sup> )	2,482 (151.5)
Aspiration		Turbo
Cooling system		Water
<b>Horsepower</b>		
SAE gross power	kW (hp)	46 (61.7)
Max. net power	kW (hp)	45.1 (60.5)
at engine speed	r/min (r/s)	2,600 (43.3)
Max. gross torque	Nm (ft lbf)	300 (221)
at engine speed	r/min (r/s)	1,500 (25)
Max. no load speed	r/min (r/s)	2,750 (45.8)
<b>Electrical system</b>		
Battery	V/Ah	12/109
Alternator	Ah	100
Starter	kW	2
<b>Drivetrain</b>		
Tracks	mm (in)	320 (12.6)
Ground pressure with standard tracks	kPa (psi)	42.6 (6.2)
<b>Hydraulics system-loader</b>		
Std hydraulic pump output	l/min (gal/min)	70 (18.5)
High flow pump output	l/min (gal/min)	100 (26.4)
at engine speed	r/min (r/s)	2,600 (43.3)
System pressure	MPa (psi)	23 (3,336)
<b>Service capacities</b>		
Cooling system	l (gal)	10 (2.6)
Engine crankcase with filter, change	l (qt)	10.2 (10.8)
Fuel tank	l (gal)	92 (24.3)
Hydraulic system - total capacity	l (gal)	43.5 (11.5)
Hydraulic reservoir capacity	l (gal)	26 (6.9)
<b>Performance</b>		
Lift arm path		Vertical
Rated operating capacity at 35% (ISO 14397)	kg (lb)	862 (1,900)
Rated operating capacity at 50%	kg (lb)	1,231 (2,714)
Tipping capacity (ISO 14397)	kg (lb)	2,463 (5,430)
Operating weight (ISO 6016)	kg (lb)	3,900 (8,598)
Breakout force, lift	kg (lb)	1,570 (3,461)
Breakout force, curl	kg (lb)	2,140 (4,718)
<b>Maximum travel speed</b>		
Single speed	km/h (mi/h)	10 (6.2)
Two speed	km/h (mi/h)	9.0 / 12.6 (5.6 / 7.8)
<b>Cycle time</b>		
Raise (lifting)	s	5.1
Lower (power down)	s	3.5
Curl	s	1.4
Dump	s	1.8
<b>Cab</b>		
Refrigerant of type R134a is used when the machine is equipped with air conditioning. Contains fluorinated greenhouse gas R134a, Global Warming Potential 1.430 t CO <sub>2</sub> -eq.		
<b>Sound level</b>		
Driver's ear, according to ISO 6396 / ISO 11201 (Cabin / Canopy)		
LpA	dB(A)	80 / 85
External, according to ISO 6395 / Directive 2000/14/EC		
LwA	dB(A)	103



**DIMENSIONS**

		Units		MCT85C	
A	Height to hinge pin	mm	ft in	3,020	9'11"
B	Dump height	mm	ft in	2,290	7'6"
C	Dump angle	°		42	
D	Dump reach	mm	ft in	850	2'9"
E	Roll back angle	°		30	
F	Ground clearance	mm	ft in	230	0'9"
G	Trackbase	mm	ft in	1,780	5'10"
H	Overall length (L/bucket)	mm	ft in	2,740	8'12"
I	Overall length (W/bucket)	mm	ft in	3,490	11'5"
J	Angle of departure	°		27	
K	Overall height	mm	ft in	2,000	6'7"
L	Bucket width	mm	ft in	1,680	5'6"
M	Over tracks width (L/bucket)	mm	ft in	1,680	5'6"
O	Turning radius rear	mm	ft in	1,650	5'5"
P	Turning radius front L/bucket	mm	ft in	1,140	3'9"
Q	Turning radius front W/bucket	mm	ft in	2,090	6'10"

Pallet forks		Overall height		Overall width		Overall length		Adjustable tine spacing				Pallet fork rating		Overall weight	
		mm	ft in	mm	ft in	mm	ft in	mm	ft in	mm	ft in	kg	lb	kg	lb
MCT85C	PF-42	984	3'3"	1,194	3'11"	1,313	4'4"	229	0'9"	1,143	3'9"	2,722	6,001	206	454
	PF-48	984	3'3"	1,194	3'11"	1,466	4'10"	229	0'9"	1,143	3'9"	2,722	6,001	218	481

Data according to bucket type	Bucket	Width		Length		Height		Weight		Heaped cap	
		mm	ft in	mm	ft in	mm	ft in	kg	lb	m³	yd³
MCT85C	General Purpose Bucket	1,680	5'6"	800	2'7"	521	1'9"	200	441	0.39	0.51
	General Purpose Bucket	1,829	6'0"	800	2'7"	521	1'9"	215	474	0.43	0.56
	Landscape Bucket	1,680	5'6"	953	3'2"	521	1'9"	217	478	0.49	0.64
	Landscape Bucket	1,829	6'0"	953	3'2"	521	1'9"	232	511	0.54	0.71
	Multi Purpose Bucket	1,676	5'6"	953	3'2"	701	2'4"	259	571	0.45	0.59
	Multi Purpose Bucket	1,829	6'0"	953	3'2"	701	2'4"	352	776	0.57	0.75

# Equipment

## STANDARD AND OPTIONAL EQUIPMENT

- = Standard
- = Optional

	MCT85C
<b>Engine</b>	
4-cylinder, 16-valve, electronic common rail, liquid-cooled, direct-injection, turbocharged diesel engine	●
Meets US EPA-Tier 4, EU St3B	●
Self-cleaning, dual-element, air cleaner	●
12-Volt heavy-duty starter	●
Alternator with internal regulator	●
Grid heater	●
Quick cycle engine preheat	●
Engine oil remote drain hose	●
High-capacity radiator	●
Spark arrestor muffler	○
Auto idling	●
Reversible fan	○
Maintenance-free Diesel Oxidation Catalyst (DOC)	●
External pre-cleaner (cyclonic type)	○
Engine block heater 110V	○
Engine block heater 240V	○
<b>Cab, canopy equipment</b>	
Canopy, isolation mounted, FOPS & ROPS, with low left-hand side door	●
Cabin, isolation mounted, heated fully glazed sealed and pressurized, FOPS & ROPS, washer/wiper and sliding left hand window	○
Cabin, isolation mounted, Air conditioned/heated fully glazed sealed and pressurized, FOPS & ROPS, washer/wiper and sliding left hand window	○
Right-hand laminated glass	●
Cab access step	●
Top window	●
In-cab rearview mirror	●
Interior light	●
Pod storage area	●
12-Volt power accessory outlet	●
Cup holder	●
Secondary exit through front windshield	●
Radio with Auxiliary input	○
In-cab fuse panel	●
In-cab analog hourmeter	○
<b>Control panel</b>	
Engine start/stop key switch	●
Electronic hand throttle	●
Electric lift and tilt hydraulic lockouts	●
Park brake switch	●
Full audible and/or visual warning systems (Charge pressure, Coolant temperature, Hydraulic oil and Engine oil pressure, Air filter restriction, Alternator, Low Fuel Level)	●
Fuel gauge	●
Coolant temperature gauge	●
Hydraulic oil temperature gauge	●
Hourmeter	●
Keyless start with immobilizer	○
<b>Controls</b>	
3-way function levers	●
7-way function levers, with 14-pin connector	○
ISO hand electro hydraulic controls	●
Operator modes	●
Control pattern selection: ISO or H-pattern	○
Foot throttle	●

## STANDARD AND OPTIONAL EQUIPMENT

- = Standard
- = Optional

	MCT85C
<b>Seats and seat belts</b>	
Operator seat bar	●
Mechanical suspension seat	●
Air suspension seat, heated, vinyl, with adjustable control pods	○
Air suspension seat, heated, with adjustable control pods, cloth	○
2" retractable seat belt	●
3" retractable seat belt	○
Three points two inches retractable seat belt	○
Three points three inches retractable seat belt	○
<b>Lighting and warning</b>	
2 front 50-Watt work lights	●
1 rear 50-Watt work lights (2 if AC)	●
Additional (2nd) 50-Watt work light (if no AC)	○
Rotating beacon	○
Tall rotating beacon (Italy)	○
Back-up alarm with rear light	●
White noise back-up alarm	○
Road light kit including left and right hand side rear view mirrors	○
<b>Loader arm and Hydraulic functions</b>	
Radial lift	—
Vertical lift	●
Parallel-Lift, raise only	○
Lift-arm mounted auxiliary hydraulics (Flat face couplers)	●
Low flow case drain return line	●
High flow auxiliary hydraulics	○
Mechanical attachment bracket	●
Boom Suspension System	○
Float function	●
Creep speed control	○
Travel lock kit (Italy)	○
<b>Driveline, undercarriage</b>	
2 servo-assisted variable displacement piston pumps mounted in tandem	●
2 fixed displacement high torque motors	●
2-speed travel	○
320 mm (12.6 in) wide tracks	●
Hydraulic park brake	●
<b>Maintenance</b>	
Lockable rear service door and engine cover	●
Master electrical shut-off switch	●
Lockable fuel cap	●
Tilting canopy/cab	●
Lift-arm support strut	●
Emergency boom lower valve	●
<b>Segment protection packages</b>	
- FOPS level 2 roof guard	○
- Front screen guard	○
- Heavy duty rear bar	○
- Tilt cylinder guard	○
- Polycarbonate screen	○
- Mud guards and fuel cap protection	○

Contact your local dealer for more info