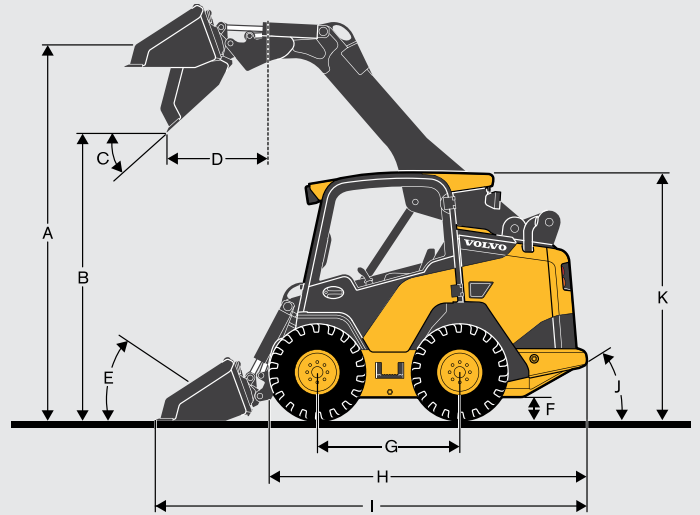
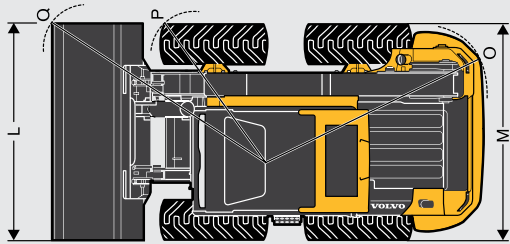


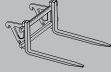
# VOLVO C-SERIES SKID STEER LOADERS IN DETAIL.

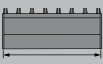

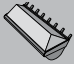


Description	Units		MC110C		MC115C		MC135C	
<b>Engine</b>								
Model			TCAE-55		TCAE-55		TCAE-55	
Cylinders			4		4		4	
Fuel type			Diesel		Diesel		Diesel	
Displacement	cm <sup>3</sup>	in <sup>3</sup>	4 399	268	4 399	268	4 399	268
Aspiration			Turbo		Turbo		Turbo	
Cooling system			Water		Water		Water	
<b>Horsepower</b>								
SAE gross power	kW	hp	55	74	55	74	55	74
SAE net power	kW	hp	54.5	72.6	54.5	72.6	54.5	72.6
@ engine speed			@ rpm		2,200		2,200	
Max. gross torque	Nm	lb-ft	400	295	400	295	400	295
@ engine speed			@ rpm		1,200		1,200	
Max. no load speed			rpm		2,450		2,450	
<b>Electrical system</b>								
Battery	V - Ah		12 - 109		12 - 109		12 - 109	
Alternator	Ah		95		95		95	
Starter	kW	hp	4.2	5.63	4.2	5.63	4.2	5.63
<b>Drivetrain</b>								
Tires/tracks			12x16.5 - 10 PR		12x16.5 - 10 PR		12x16.5 - 10 PR	
<b>Hydraulics system-loader</b>								
Std hydraulic pump output flow @ rated rpm	lpm	gpm	90	24	90	24	90	24
High flow pump output @ rated rpm	lpm	gpm	125	33	125	33	125	33
Engine speed			rpm		2,450		2,450	
System pressure	bar	psi	230	3,335	230	3,335	230	3,335
<b>Service capacities</b>								
Cooling system	l	US gal	15.5	4.1	15.5	4.1	15.5	4.1
Engine crankcase with filter, change	l	qt	15	15.9	15	15.9	15	15.9
Fuel tank	l	US gal	103	27.2	103	27.2	103	27.2
Hydraulic system - total capacity	l	US gal	60	15.9	60	15.9	60	15.9
Hydraulic reservoir capacity	l	US gal	26	6.9	26	6.9	26	6.9
<b>Performance</b>								
Lift arm path			Radial		Vertical		Vertical	
Rated operating capacity (SAE)	kg	lbs	1 021	2,250	1 179	2,600	1 361	3,000
Tipping capacity (SAE)	kg	lbs	2 226	4,908	2 471	5,448	2 732	6,024
Operating weight (SAE)	kg	lbs	3608	7,954	3734	8,232	4107	9,054
Breakout force, lift	kg	lbs	2 669	5,884	2 669	5,884	2 634	5,809
Breakout force, curl	kg	lbs	2 585	5,699	2 585	5,699	3 260	7,187
<b>Maximum travel speed</b>								
Single speed	km/h	mph	10.9	6.8	10.9	6.8	10.9	6.8
Two speed	km/h	mph	10.9 / 20	6.8 / 12.4	10.9 / 20	6.8 / 12.4	10.9 / 20	6.8 / 12.4
<b>Cycle time</b>								
Raise (lifting)	seconds		3.5		5.1		5.1	
Lower (power down)	seconds		2.3		3.5		3.5	
Curl	seconds		1.4		1.4		1.7	
Dump	seconds		1.8		1.8		2.3	



Description	Units		MC110C		MC115C		MC135C	
A Height to hinge pin	mm	in	3 175	125	3 175	125	3 175	125
B Dump height	mm	in	2 460	96.9	2 460	96.9	2 460	96.9
C Dump angle		°	42		42		42	
D Dump reach	mm	in	590	23.2	870	34.3	900	35.4
E Roll back angle		°	30		30		30	
F Ground clearance	mm	in	238	9.4	238	9.4	238	9.4
G Wheelbase	mm	in	1 242	48.9	1 242	48.9	1 242	48.9
H Overall length (L/bucket)	mm	in	2 940	115.7	2 940	115.7	3 030	119.3
I Overall length (W/bucket)	mm	in	3 690	145.3	3 690	145.3	3 780	148.8
J Angle of departure		°	28.7		28.7		28.7	
K Overall height	mm	in	2 090	82.3	2 090	82.3	2 090	82.3
L Bucket width	mm	in	1 829	72	1 829	72	1 829	72
M Over tire width (L/bucket)	mm	in	1 820	71.7	1 820	71.7	1 820	71.7
O Turning radius rear	mm	in	1 760	69.3	1 760	69.3	1 760	69.3
P Turning radius front L/bucket	mm	in	1 010	39.8	1 010	39.8	1 140	44.9
Q Turning radius front W/bucket	mm	in	2 200	86.6	2 200	86.6	2 200	86.6

Pallet forks MC110C MC115C MC135C		Overall height		Overall width		Overall length		Adjustable tine spacing				Pallet fork rating		Overall weight	
		mm	in	mm	in	mm	in	mm	in	mm	in	kg	lbs	kg	lbs
PF-42		984	38.75	1 194	45.75	1 313	51.7	229	9	1 143	45	2 722	6,000	206	455
PF-48		984	38.75	1 194	45.75	1 466	57.7	229	9	1 143	45	2 722	6,000	218	480

Data according to bucket type	Bucket										
		Width		Length		Height		Weight		Heaped cap	
		mm	in	mm	in	mm	in	kg	lbs	m <sup>3</sup>	cf <sup>3</sup>
MC110C MC115C MC135C	General Purpose Bucket	1 829	72	800	31.5	521	20.5	215	473	0.43	15.2
	General Purpose Bucket	1 981	78	800	31.5	521	20.5	246	543	0.47	16.5
	General Purpose Bucket	2 134	84	800	31.5	521	20.5	261	576	0.50	17.8
	Landscape Bucket	1 829	72	953	38.0	521	20.5	232	511	0.54	18.9
	Landscape Bucket	1 981	78	953	37.5	521	20.5	264	582	0.58	20.5
	Landscape Bucket	2 134	84	953	37.5	521	20.5	279	615	0.63	22.3
	Multi Purpose Bucket	1 829	72	953	37.5	701	27.6	352	775	0.57	20.0
	Multi Purpose Bucket	1 981	78	953	37.5	701	27.6	382	842	0.61	21.7
Multi Purpose Bucket	2 134	84	953	37.5	701	27.6	401	884	0.66	23.4	

# EQUIPMENT.

● = Standard ○ = Optional	MC60C	MC70C	MC85C	MC95C	MC110C	MC115C	MC135C
<b>Engine</b>							
3-cylinder, 12 valve, electronic common rail, liquid-cooled, direct-injection, turbocharged diesel engine	●	●	●	-	-	-	-
4-cylinder, 16-valve, electronic common rail, liquid-cooled, direct-injection, turbocharged diesel engine	-	-	-	●	●	●	●
Meet US EPA-Tier 4f	●	●	●	●	●	●	●
Self-cleaning, dual-element air cleaner, including primary filter and safety element	●	●	●	●	-	-	-
Self cleaning, triple stage air cleaner, including built-in pre-cleaner with active scavenging, primary filter and safety element	-	-	-	-	●	●	●
12-Volt heavy-duty starter	●	●	●	●	●	●	●
Alternator with internal regulator	●	●	●	●	●	●	●
Grid heater	●	●	●	●	●	●	●
Quick cycle engine preheat	●	●	●	●	●	●	●
Engine oil remote drain hose	●	●	●	●	●	●	●
High-capacity radiator	●	●	●	●	●	●	●
Top mounted, hydraulic oil cooler	●	●	●	●	●	●	●
Auto-idling	●	●	●	●	●	●	●
Reversible fan	○	○	○	○	○	○	○
Maintenance-free Diesel Oxidation Catalyst (DOC)	●	●	●	●	-	-	-
Spark arrestor muffler	○	○	○	○	○	○	○
Engine block heater 110V	○	○	○	○	○	○	○
External pre-cleaner (cyclonic type)	○	○	○	○	○	○	○
<b>Cab, canopy equipment</b>							
Isolation mounted canopy, FOPS & ROPS, with low left-hand side door	●	●	●	●	●	●	●
Isolation mounted, heated fully glazed sealed and pressurized cab, FOPS & ROPS, washer/wiper and sliding left hand window	○	○	○	○	○	○	○
Isolation mounted, Air conditioned/heated fully glazed sealed and pressurized cab, FOPS & ROPS, washer/wiper and sliding left hand window	-	○	○	○	○	○	○
Right-hand laminated glass	●	●	●	●	●	●	●
Cab access step	●	●	●	●	●	●	●
Top window	●	●	●	●	●	●	●
In-cab rearview mirror	●	●	●	●	●	●	●
Interior light	●	●	●	●	●	●	●
Pod storage area	●	●	●	●	●	●	●
12-Volt power accessory outlet	●	●	●	●	●	●	●
Cup holder	●	●	●	●	●	●	●
Emergency exit through front windshield	●	●	●	●	●	●	●

● = Standard ○ = Optional	MC60C	MC70C	MC85C	MC95C	MC110C	MC115C	MC135C
<b>Radio with Aux. In</b>							
Radio with Aux. In	○	○	○	○	○	○	○
In-cab fuse panel	●	●	●	●	●	●	●
In-cab analog hourmeter	○	○	○	○	○	○	○
<b>Control panel</b>							
Engine start/stop key switch	●	●	●	●	●	●	●
Electronic hand throttle	●	●	●	●	●	●	●
Electric lift and tilt hydraulic lockouts	●	●	●	●	●	●	●
Park brake switch	●	●	●	●	●	●	●
Full audible and visual warning systems (Charge pressure, Coolant temperature, Hydraulic oil and Engine oil pressure, Air filter restriction, Alternator)	●	●	●	●	●	●	●
Fuel gauge	●	●	●	●	●	●	●
Coolant temperature gauge	●	●	●	●	●	●	●
Hydraulic oil temperature gauge	●	●	●	●	●	●	●
Hourmeter	●	●	●	●	●	●	●
Keyless start with immobilizer	○	○	○	○	○	○	○
<b>Controls</b>							
3-way function levers	●	●	●	●	●	●	●
7-way function levers, with 14-pin connector	○	○	○	○	○	○	○
Operator modes	●	●	●	●	●	●	●
Control pattern selection: ISO or H-pattern	○	○	○	○	○	○	○
Foot throttle	●	●	●	●	●	●	●
<b>Seats and seat belts</b>							
Operator seat bar	●	●	●	●	●	●	●
Static seat, vinyl	○	○	○	○	○	○	○
Mechanical suspension seat, vinyl	●	●	●	●	●	●	●
Air suspension seat, heated, with adjustable control pods, vinyl	○	○	○	○	○	○	○
Air suspension seat, heated, with adjustable control pods, cloth	○	○	○	○	○	○	○
2" retractable seat belt	●	●	●	●	●	●	●
3" retractable seat belt	○	○	○	○	○	○	○
3pts 2" retractable seat belt	○	○	○	○	○	○	○
3pts 3" retractable seat belt	○	○	○	○	○	○	○
<b>Lighting &amp; warning</b>							
2 front 50-Watt work lights	●	●	●	●	●	●	●
1 rear 50-Watt work light (2 if AC)	●	●	●	●	●	●	●
Additional (2nd) 50-Watt work light (if no AC)	○	○	○	○	○	○	○
Rotating beacon	○	○	○	○	○	○	○
Back-up alarm with rear light	●	●	●	●	●	●	●
White noise back-up alarm	○	○	○	○	○	○	○
Road light kit, including rear view mirrors	○	○	○	○	○	○	○
<b>Loader arm &amp; Hydraulic functions</b>							
Radial lift	●	●	-	-	●	-	-
Vertical lift	-	-	●	●	-	●	●
Parallel lift (raise)	●	●	●	●	●	●	●

● = Standard ○ = Optional	MC60C	MC70C	MC85C	MC95C	MC110C	MC115C	MC135C
<b>Loader arm &amp; Hydraulic functions</b>							
Lift-arm mounted auxiliary hydraulics (Flat face couplers)	●	●	●	●	●	●	●
Left hand mounted auxiliary couplers	○	○	○	○	○	○	○
Low flow case drain return line	●	●	●	●	●	●	●
High flow auxiliary hydraulics		○	○	○	○	○	○
Mechanical attachment bracket	●	●	●	●	●	●	●
Assisted attachment bracket	○	○	○	○	○	○	○
Boom Suspension System		○	○	○	○	○	○
Float function	●	●	●	●	●	●	●
Creep control	○	○	○	○	○	○	○
Hardide pivot pins (loader to coupler)	○	○	○	○	○	○	○
<b>Driveline, undercarriage</b>							
2 servo-assisted variable displacement piston pumps mounted in tandem	●	●	●	●	●	●	●
2 fixed displacement high torque motors	●	●	●	●	●	●	●
2-speed		○	○	○	○	○	○
Heavy-duty lug tires	○	○	○	○	○	○	○
Heavy-duty wide flotation lug tires	○	○	○	○	○	○	○
Non-pneumatic solid tires	○	○	○	○	○	○	○
Non-pneumatic cushioned solid tires	○	○	○	○	○	○	○
Hydraulic park brake	●	●	●	●	●	●	●
Twine cutter	○	○	○	○	○	○	○
<b>Maintenance</b>							
Lockable rear service door	●	●	●	●	●	●	●
Heavy-duty, maintenance-free battery – 1000CCA	●	●	●	●	●	●	●
Master electrical shut-off switch	●	●	●	●	●	●	●
Lockable fuel cab	●	●	●	●	●	●	●
Tilting canopy/cab	●	●	●	●	●	●	●
Lift-arm support strut	●	●	●	●	●	●	●
Emergency boom lower valve	●	●	●	●	●	●	●
<b>Segment protection packages</b>							
Equip your Skid Steer Loader with special application packages, including:							
FOPS level 2 roof guard							
Front screen guard							
Heavy duty rear bar							
Tilt cylinder guard							
Lexan screen							
Mud guards and fuel cap protection							

## SELECTION OF VOLVO OPTIONAL EQUIPMENT

Heated cab with air conditioning for year-round comfort



Choice of Tire to best suit your job



High flow auxiliary hydraulics



2-speed option helps you get the job done faster



Volvo assisted attachment bracket allows the operator to change attachment from the seat



Contact your local dealer for more info