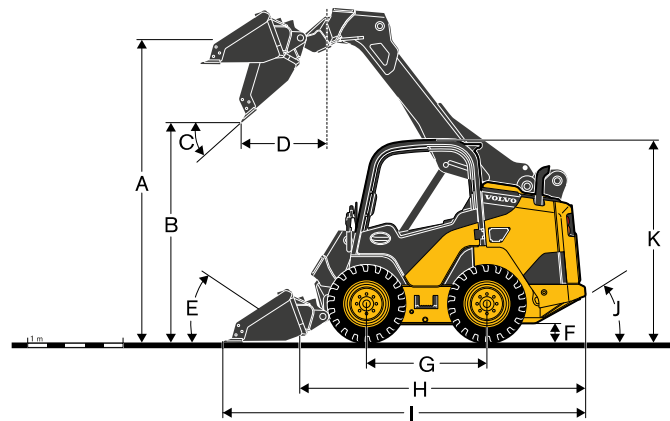
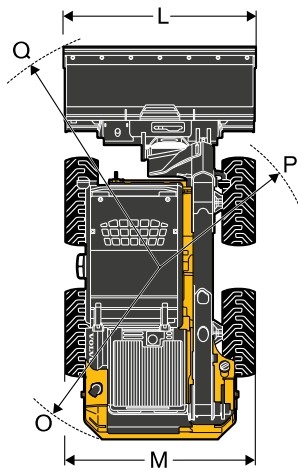


# Specifications

|  |                                    | MC110D               | MC115D               | MC135D               |
|--|------------------------------------|----------------------|----------------------|----------------------|
| <b>Engine</b>  |                                    |                      |                      |                      |
| Model  |                                    | TCAE-55              | TCAE-55              | TCAE-55              |
| Cylinders  |                                    | 4                    | 4                    | 4                    |
| Fuel type  |                                    | Diesel               | Diesel               | Diesel               |
| Displacement   | cm <sup>3</sup> (in <sup>3</sup> ) | 4,399 (268.4)        | 4,399 (268.4)        | 4,399 (268.4)        |
| Aspiration   |                                    | Turbo                | Turbo                | Turbo                |
| Cooling system   |                                    | Water                | Water                | Water                |
| <b>Horsepower</b>  |                                    |                      |                      |                      |
| SAE gross power  | kW (hp)                            | 55 (73.8)            | 55 (73.8)            | 55 (73.8)            |
| Max. net power   | kW (hp)                            | 54.1 (72.5)          | 54.1 (72.5)          | 54.1 (72.5)          |
| at engine speed  | r/min (r/s)                        | 2,200 (36.6)         | 2,200 (36.6)         | 2,200 (36.6)         |
| Max. gross torque  | Nm (ft lbf)                        | 400 (295)            | 400 (295)            | 400 (295)            |
| at engine speed  | r/min (r/s)                        | 1,200 (20)           | 1,200 (20)           | 1,200 (20)           |
| Max. no load speed   | r/min (r/s)                        | 2,300 (38)           | 2,300 (38)           | 2,300 (38)           |
| <b>Electrical system</b>   |                                    |                      |                      |                      |
| Battery  | V/Ah                               | 12/109               | 12/109               | 12/109               |
| Alternator   | Ah                                 | 95                   | 95                   | 95                   |
| Starter  | kW                                 | 4.2                  | 4.2                  | 4.2                  |
| <b>Drivetrain</b>  |                                    |                      |                      |                      |
| Tires  |                                    | 12x16,5 - 10 pr      | 12x16,5 - 10 pr      | 12x16,5 - 10 pr      |
| <b>Hydraulics system-loader</b>  |                                    |                      |                      |                      |
| Std hydraulic pump output  | l/min (gal/min)                    | 90 (23.8)            | 90 (23.8)            | 90 (23.8)            |
| High flow pump output  | l/min (gal/min)                    | 125 (33)             | 125 (33)             | 125 (33)             |
| at engine speed  | r/min (r/s)                        | 2,300 (38)           | 2,300 (38)           | 2,300 (38)           |
| System pressure  | MPa (psi)                          | 23 (3,336)           | 23 (3,336)           | 23 (3,336)           |
| <b>Service capacities</b>  |                                    |                      |                      |                      |
| Cooling system   | l (gal)                            | 22 (5.8)             | 22 (5.8)             | 22 (5.8)             |
| Engine crankcase with filter, change   | l (qt)                             | 15 (15.9)            | 15 (15.9)            | 15 (15.9)            |
| Fuel tank  | l (gal)                            | 103.3 (27.3)         | 103.3 (27.3)         | 103.3 (27.3)         |
| Hydraulic system - total capacity  | l (gal)                            | 55 (14.5)            | 55 (14.5)            | 55 (14.5)            |
| Hydraulic reservoir capacity   | l (gal)                            | 26 (6.9)             | 26 (6.9)             | 26 (6.9)             |
| <b>Performance</b>   |                                    |                      |                      |                      |
| Lift arm path  |                                    | Radial               | Vertical             | Vertical             |
| Rated operating capacity (ISO 14397)   | kg (lb)                            | 1,146 (2,526)        | 1,235 (2,723)        | 1,445 (3,186)        |
| Tipping capacity (ISO 14397)   | kg (lb)                            | 2,293 (5,055)        | 2,471 (5,448)        | 2,889 (6,369)        |
| Operating weight (ISO 6016)  | kg (lb)                            | 3,726 (8,214)        | 3,937 (8,680)        | 4,213 (9,288)        |
| Breakout force, lift   | kg (lb)                            | 2,669 (5,884)        | 2,747 (6,056)        | 2,747 (6,056)        |
| Breakout force, curl   | kg (lb)                            | 2,968 (6,543)        | 2,968 (6,543)        | 2,968 (6,543)        |
| <b>Maximum travel speed</b>  |                                    |                      |                      |                      |
| Single speed   | km/h (mi/h)                        | 10.9 (6.8)           | 10.9 (6.8)           | 10.9 (6.8)           |
| Two speed  | km/h (mi/h)                        | 10.9/20 (6.8 / 12.4) | 10.9/20 (6.8 / 12.4) | 10.9/20 (6.8 / 12.4) |
| <b>Cycle time</b>  |                                    |                      |                      |                      |
| Raise (lifting)  | s                                  | 3.7                  | 3.7                  | 3.7                  |
| Lower (power down)   | s                                  | 2.5                  | 2.5                  | 2.5                  |
| Curl   | s                                  | 1.8                  | 1.8                  | 1.8                  |
| Dump   | s                                  | 2.1                  | 2.1                  | 2.1                  |
| <b>Cab</b>   |                                    |                      |                      |                      |
| Refrigerant of type R134a is used when the machine is equipped with air conditioning. Contains fluorinated greenhouse gas R134a, Global Warming Potential 1.430 t CO <sub>2</sub> -eq. |                                    |                      |                      |                      |
| <b>Sound level</b>   |                                    |                      |                      |                      |
| Driver's ear, according to ISO 6396 / ISO 11201 (Cabin / Canopy)   |                                    |                      |                      |                      |
| LpA  | dB(A)                              | 78 / 86              | 78 / 86              | 78 / 86              |
| External, according to ISO 6395 / Directive 2000/14/EC   |                                    |                      |                      |                      |
| LwA  | dB(A)                              | 103                  | 103                  | 103                  |



### DIMENSIONS

|                                       | Units    | MC110D |       | MC115D |       | MC135D |       |
|---------------------------------------|----------|--------|-------|--------|-------|--------|-------|
| A Height to hinge pin                 | mm ft in | 3,200  | 10'6" | 3,200  | 10'6" | 3,200  | 10'6" |
| B Dump height                         | mm ft in | 2,300  | 7'7"  | 2,300  | 7'7"  | 2,300  | 7'7"  |
| C Dump angle                          | °        | 42     |       | 42     | 0'2"  | 42     | 0'2"  |
| D Dump reach                          | mm ft in | 600    | 1'12" | 900    | 2'11" | 900    | 2'11" |
| E Roll back angle                     | °        | 30     |       | 30     |       | 30     |       |
| F Ground clearance                    | mm ft in | 250    | 0'10" | 250    | 0'10" | 250    | 0'10" |
| G Wheelbase                           | mm ft in | 1,250  | 4'1"  | 1,250  | 4'1"  | 1,250  | 4'1"  |
| H Overall length (L/bucket)           | mm ft in | 3,000  | 9'10" | 3,000  | 9'10" | 3,000  | 9'10" |
| I Overall length (W/bucket)           | mm ft in | 3,800  | 12'6" | 3,800  | 12'6" | 3,800  | 12'6" |
| J Angle of departure                  | °        | 29     |       | 29     |       | 29     |       |
| K Overall height                      | mm ft in | 2,100  | 6'11" | 2,100  | 6'11" | 2,100  | 6'11" |
| L Bucket width                        | mm ft in | 1,900  | 6'3"  | 1,900  | 6'3"  | 1,900  | 6'3"  |
| M Over tire / tracks width (L/bucket) | mm ft in | 1,800  | 5'11" | 1,800  | 5'11" | 1,800  | 5'11" |
| O Turning radius rear                 | mm ft in | 1,760  | 5'9"  | 1,760  | 5'9"  | 1,760  | 5'9"  |
| P Turning radius front L/bucket       | mm ft in | 1,500  | 4'11" | 1,500  | 4'11" | 1,500  | 4'11" |
| Q Turning radius front W/bucket       | mm ft in | 2,300  | 7'7"  | 2,300  | 7'7"  | 2,300  | 7'7"  |

| Pallet forks<br>MC110D<br>MC115D<br>MC135D |     | Overall height |       | Overall width |       | Overall length |       | Adjustable tine spacing |       |      |       | Pallet fork rating |       | Overall weight |     |
|--|-----|----------------|-------|---------------|-------|----------------|-------|-------------------------|-------|------|-------|--------------------|-------|----------------|-----|
|  |     | mm             | ft in | mm            | ft in | mm             | ft in | mm                      | ft in | mm   | ft in | kg                 | lb    | kg             | lb  |
|  |     | <b>PF-42</b>   | 984   | 3'3"          | 1,194 | 3'11"          | 1,313 | 4'4"                    | 229   | 0'9" | 1,143 | 3'9"               | 2,722 | 6,001          | 206 |
| <b>PF-48</b>                               | 984 | 3'3"           | 1,194 | 3'11"         | 1,466 | 4'10"          | 229   | 0'9"                    | 1,143 | 3'9" | 2,722 | 6,001              | 218   | 481            |     |

| Data according to bucket type       | Bucket                 | Width |       | Length |       | Height |       | Weight |      | Heaped cap |      |
|-------------------------------------|------------------------|-------|-------|--------|-------|--------|-------|--------|------|------------|------|
|                                     |                        | mm    | ft in | mm     | ft in | mm     | ft in | kg     | lb   | m³         | yd³  |
| <b>MC110D<br/>MC115D<br/>MC135D</b> | General Purpose Bucket | 1,829 | 6'0"  | 800    | 2'7"  | 521    | 1'9"  | 215    | 474  | 0.43       | 0.56 |
|                                     | General Purpose Bucket | 1,980 | 6'6"  | 800    | 2'7"  | 521    | 1'9"  | 246    | 542  | 0.47       | 0.61 |
|                                     | General Purpose Bucket | 2,134 | 7'0"  | 800    | 2'7"  | 521    | 1'9"  | 261    | 575  | 0.50       | 0.65 |
|                                     | Landscape Bucket       | 1,829 | 6'0"  | 953    | 3'2"  | 521    | 1'9"  | 232    | 511  | 0.54       | 0.71 |
|                                     | Landscape Bucket       | 1,980 | 6'6"  | 953    | 3'2"  | 521    | 1'9"  | 264    | 582  | 0.58       | 0.76 |
|                                     | Landscape Bucket       | 2,134 | 7'0"  | 953    | 3'2"  | 521    | 1'9"  | 279    | 615  | 0.63       | 0.82 |
|                                     | Multi Purpose Bucket   | 1,829 | 6'0"  | 953    | 3'2"  | 701    | 2'4"  | 352    | 776  | 0.57       | 0.75 |
|                                     | Multi Purpose Bucket   | 1,980 | 6'6"  | 953    | 3'2"  | 701    | 2'4"  | 382    | 842  | 0.61       | 0.80 |
| Multi Purpose Bucket                | 2,134                  | 7'0"  | 953   | 3'2"   | 701   | 2'4"   | 401   | 884    | 0.66 | 0.86       |      |

# Equipment

## STANDARD AND OPTIONAL EQUIPMENT

- = Standard
- = Optional

|  | MC110D | MC115D | MC135D |
|--|--------|--------|--------|
| <b>Engine</b>  |        |        |        |
| 4-cylinder, 16-valve, electronic common rail, liquid-cooled, direct-injection, turbocharged diesel engine  | ●      | ●      | ●      |
| Meets US EPA-Tier 4, EU St3B   | ●      | ●      | ●      |
| Self cleaning, triple stage air cleaner, including built-in pre-cleaner with active scavenging, primary filter and safety element  | ●      | ●      | ●      |
| 12-Volt heavy-duty starter   | ●      | ●      | ●      |
| Alternator with internal regulator   | ●      | ●      | ●      |
| Grid heater  | ●      | ●      | ●      |
| Quick cycle engine preheat   | ●      | ●      | ●      |
| Engine oil remote drain hose   | ●      | ●      | ●      |
| High-capacity radiator   | ●      | ●      | ●      |
| Spark arrestor muffler   | ○      | ○      | ○      |
| Auto idling  | ●      | ●      | ●      |
| Reversible fan   | ○      | ○      | ○      |
| External pre-cleaner (cyclonic type)   | ○      | ○      | ○      |
| Engine block heater 110V   | ○      | ○      | ○      |
| Engine block heater 240V   | ○      | ○      | ○      |
| <b>Cab, canopy equipment</b>   |        |        |        |
| Canopy, isolation mounted, FOPS & ROPS, with low left-hand side door   | ●      | ●      | ●      |
| Cabin, isolation mounted, heated fully glazed sealed and pressurized, FOPS & ROPS, washer/wiper and sliding left hand window   | ○      | ○      | ○      |
| Cabin, isolation mounted, Air conditioned/heated fully glazed sealed and pressurized, FOPS & ROPS, washer/wiper and sliding left hand window                                 | ○      | ○      | ○      |
| Right-hand laminated glass   | ●      | ●      | ●      |
| Cab access step  | ●      | ●      | ●      |
| Top window   | ●      | ●      | ●      |
| In-cab rearview mirror   | ●      | ●      | ●      |
| Interior light   | ●      | ●      | ●      |
| Pod storage area   | ●      | ●      | ●      |
| 12-Volt power accessory outlet   | ●      | ●      | ●      |
| Cup holder   | ●      | ●      | ●      |
| Secondary exit through front windshield  | ●      | ●      | ●      |
| Radio with Auxiliary input   | ○      | ○      | ○      |
| In-cab fuse panel  | ●      | ●      | ●      |
| In-cab analog hourmeter  | ○      | ○      | ○      |
| <b>Control panel</b>   |        |        |        |
| Engine start/stop key switch   | ●      | ●      | ●      |
| Electronic hand throttle   | ●      | ●      | ●      |
| Electric lift and tilt hydraulic lockouts  | ●      | ●      | ●      |
| Park brake switch  | ●      | ●      | ●      |
| Full audible and/or visual warning systems (Charge pressure, Coolant temperature, Hydraulic oil and Engine oil pressure, Air filter restriction, Alternator, Low Fuel Level) | ●      | ●      | ●      |
| Fuel gauge   | ●      | ●      | ●      |
| Coolant temperature gauge  | ●      | ●      | ●      |
| Hydraulic oil temperature gauge  | ●      | ●      | ●      |
| Hour meter   | ●      | ●      | ●      |
| Keyless start with immobilizer   | ○      | ○      | ○      |
| <b>Controls</b>  |        |        |        |
| 3-way function levers  | ●      | ●      | ●      |
| 7-way function levers, with 14-pin connector   | ○      | ○      | ○      |
| ISO hand electro hydraulic controls  | ●      | ●      | ●      |
| Operator modes   | ●      | ●      | ●      |
| Control pattern selection: ISO or H-pattern  | ○      | ○      | ○      |
| Foot throttle  | ●      | ●      | ●      |

## STANDARD AND OPTIONAL EQUIPMENT

- = Standard
- = Optional

|   | MC110D | MC115D | MC135D |
|---|--------|--------|--------|
| <b>Seats and seat belts</b>   |        |        |        |
| Operator seat bar   | ●      | ●      | ●      |
| Mechanical suspension seat  | ●      | ●      | ●      |
| Air suspension seat, heated, vinyl, with adjustable control pods      | ○      | ○      | ○      |
| Air suspension seat, heated, with adjustable control pods, cloth      | ○      | ○      | ○      |
| 2" retractable seat belt  | ●      | ●      | ●      |
| 3" retractable seat belt  | ○      | ○      | ○      |
| Three points two inches retractable seat belt                         | ○      | ○      | ○      |
| Three points three inches retractable seat belt                       | ○      | ○      | ○      |
| <b>Lighting and warning</b>   |        |        |        |
| 2 front 50-Watt work lights   | ●      | ●      | ●      |
| 1 rear 50-Watt work lights (2 if AC)                                  | ●      | ●      | ●      |
| Additional (2nd) 50-Watt work light (if no AC)                        | ○      | ○      | ○      |
| Rotating beacon   | ○      | ○      | ○      |
| Tall rotating beacon (Italy)  | ○      | ○      | ○      |
| Back-up alarm with rear light   | ●      | ●      | ●      |
| White noise back-up alarm   | ○      | ○      | ○      |
| Road light kit including left and right hand side rear view mirrors   | ○      | ○      | ○      |
| <b>Loader arm and Hydraulic functions</b>                             |        |        |        |
| Radial lift   | ●      | —      | —      |
| Vertical lift   | —      | ●      | ●      |
| Parallel-Lift, raise only   | ○      | ○      | ○      |
| Lift-arm mounted auxiliary hydraulics (Flat face couplers)            | ●      | ●      | ●      |
| Low flow case drain return line                                       | ●      | ●      | ●      |
| High flow auxiliary hydraulics  | ○      | ○      | ○      |
| Mechanical attachment bracket   | ●      | ●      | ●      |
| Assisted attachment bracket   | ○      | ○      | ○      |
| Boom Suspension System  | ○      | ○      | ○      |
| Float function  | ●      | ●      | ●      |
| Creep speed control   | ○      | ○      | ○      |
| Travel lock kit (Italy)   | ○      | ○      | ○      |
| <b>Driveline, undercarriage</b>                                       |        |        |        |
| 2 servo-assisted variable displacement piston pumps mounted in tandem | ●      | ●      | ●      |
| 2 fixed displacement high torque motors                               | ●      | ●      | ●      |
| 2-speed travel  | ○      | ○      | ○      |
| Standard duty lug tires   | ●      | ●      | ●      |
| Heavy-duty lug tires  | ○      | ○      | ○      |
| Heavy-duty wide flotation lug tires                                   | ○      | ○      | ○      |
| Hydraulic park brake  | ●      | ●      | ●      |
| <b>Maintenance</b>  |        |        |        |
| Lockable rear service door and engine cover                           | ●      | ●      | ●      |
| Heavy-duty, maintenance-free battery – 1,000CCA                       | ●      | ●      | ●      |
| Master electrical shut-off switch                                     | ●      | ●      | ●      |
| Lockable fuel cap   | ●      | ●      | ●      |
| Tilting canopy/cab  | ●      | ●      | ●      |
| Lift-arm support strut  | ●      | ●      | ●      |
| Emergency boom lower valve  | ●      | ●      | ●      |
| <b>Segment protection packages</b>                                    |        |        |        |
| - FOPS level 2 roof guard   | ○      | ○      | ○      |
| - Front screen guard  | ○      | ○      | ○      |
| - Heavy duty rear bar   | ○      | ○      | ○      |
| - Tilt cylinder guard   | ○      | ○      | ○      |
| - Polycarbonate screen  | ○      | ○      | ○      |
| - Mud guards and fuel cap protection                                  | ○      | ○      | ○      |

Contact your local dealer for more info