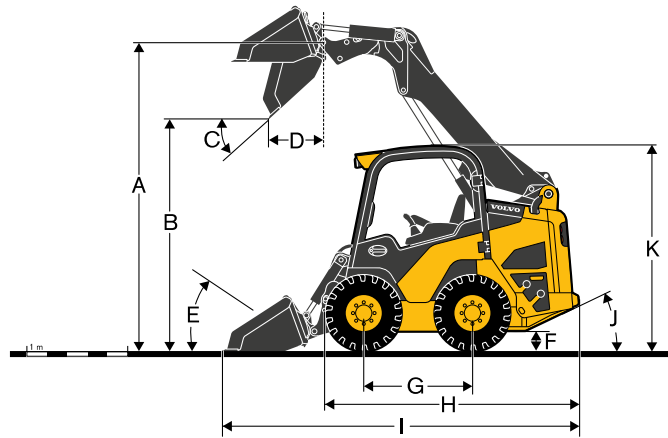
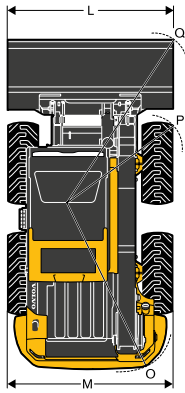


Specifications

		MC70C	MC85C	MC100C	MC105C	
Engine						
Model		KDI 1903 TCR	KDI 1903 TCR	KDI 2504 TCR	KDI 2504 TCR	
Cylinders		3	3	4	4	
Fuel type		Diesel	Diesel	Diesel	Diesel	
Displacement	cm ³ (in ³)	1,860 (113.5)	1,860 (113.5)	2,482 (151.5)	2,482 (151)	
Aspiration		Turbo	Turbo	Turbo	Turbo	
Cooling system		Water	Water	Water	Water	
Horsepower						
SAE gross power	kW (hp)	42 (56.3)	42 (56.3)	55 (73.8)	55 (73.8)	
Max. net power	kW (hp)	41.1 (55.1)	41.1 (55.1)	54.1 (72.5)	54.1 (72.5)	
at engine speed	r/min (r/s)	2,600 (43.3)	2,600 (43.3)	2,600 (43.3)	2,600 (43.3)	
Max. gross torque	Nm (ft lbf)	225 (166)	225 (166)	300 (221)	300 (221)	
at engine speed	r/min (r/s)	1,500 (25)	1,500 (25)	1,500 (25)	1,500 (25)	
Max. no load speed	r/min (r/s)	2,750 (45.8)	2,750 (45.8)	2,750 (45.8)	2,750 (45.8)	
Electrical system						
Battery	V/Ah	12/109	12/109	12/109	12/109	
Alternator	Ah	100	100	100	100	
Starter	kW	2	2	2	2	
Drivetrain						
Tires		10x16,5 - 8 pr	10x16,5 - 8 pr	10x16,5 - 8 pr	10x16,5 - 8 pr	
Hydraulics system-loader						
Std hydraulic pump output	l/min (gal/min)	70 (18.5)	70 (18.5)	70 (18.5)	70 (18.5)	
High flow pump output	l/min (gal/min)	100 (26.4)	100 (26.4)	115 (30.4)	115 (30.4)	
at engine speed	r/min (r/s)	2,600 (43.3)	2,600 (43.3)	2,600 (43.3)	2,600 (43.3)	
System pressure	MPa (psi)	23 (3,336)	23 (3,336)	23 (3,336)	23 (3,336)	
Service capacities						
Cooling system	l (gal)	10 (2.6)	10 (2.6)	10 (2.6)	10 (2.6)	
Engine crankcase with filter, change	l (qt)	10.2 (10.8)	10.2 (10.8)	10.2 (10.8)	10.2 (10.8)	
Fuel tank	l (gal)	98 (25.9)	92 (24.3)	98 (25.9)	92 (24.3)	
Hydraulic system - total capacity	l (gal)	43.5 (11.5)	43.5 (11.5)	43.5 (11.5)	43.5 (11.5)	
Hydraulic reservoir capacity	l (gal)	26 (6.9)	26 (6.9)	26 (6.9)	26 (6.9)	
Performance						
Lift arm path		Radial	Vertical	Radial	Vertical	
Rated operating capacity (ISO 14397)	kg (lb)	703 (1,550)	795 (1,753)	959 (2,114)	958 (2,112)	
Tipping capacity (ISO 14397)	kg (lb)	1,406 (3,100)	1,590 (3,505)	1,918 (4,228)	1,915 (4,222)	
Operating weight (ISO 6016)	kg (lb)	2,995 (6,603)	3,093 (6,819)	3,123 (6,885)	3,290 (7,253)	
Breakout force, lift	kg (lb)	1,770 (3,902)	1,570 (3,461)	1,874 (4,131)	2,083 (4,592)	
Breakout force, curl	kg (lb)	1,820 (4,012)	2,140 (4,718)	1,798 (3,964)	2,222 (4,899)	
Maximum travel speed						
Single speed	km/h (mi/h)	12 (7.5)	12 (7.5)	12 (7.5)	12 (7.5)	
Two speed	km/h (mi/h)	12 / 18.5 (7.5 / 11.5)	12 / 18.5 (7.5 / 11.5)	12 / 18.5 (7.5 / 11.5)	12 / 18.5 (7.5 / 11.5)	
Cycle time						
Raise (lifting)	s	3.2	3.2	3.2	3.2	
Lower (power down)	s	1.8	1.8	1.8	1.8	
Curl	s	1.4	1.4	1.4	1.4	
Dump	s	1.8	1.8	1.8	1.8	
Cab						
Refrigerant of type R134a is used when the machine is equipped with air conditioning. Contains fluorinated greenhouse gas R134a, Global Warming Potential 1.430 t CO ₂ -eq.						
Sound level						
Driver's ear, according to ISO 6396 / ISO 11201 (Cabin / Canopy)						
LpA	dB(A)	80 / 85	80 / 85	80 / 85	80 / 85	
External, according to ISO 6395 / Directive 2000/14/EC						
LwA	dB(A)	101	101	101	101	
Operating weights and hydraulic performance regarding counterweight kits (option)						
	Counterweight	Unit	MC100C (Cab)		MC105C (Cab)	
ISO 6016 operating weight	No	kg lb	6,885	15,179	7,253	15,990
	Half	kg lb	6,980	15,388	7,341	16,184
	Full	kg lb	7,075	15,598	7,474	16,477
Rated operating capacity (ISO 14397) at 35%	No	kg lb	959	2,114	958	2,112
	Half	kg lb	979	2,158	998	2,200
	Full	kg lb	1,015	2,238	1,024	2,258
Tipping capacity (ISO 14397)	No	kg lb	1,918	4,228	1,915	4,222
	Half	kg lb	1,957	4,314	1,996	4,400
	Full	kg lb	2,030	4,475	2,049	4,517
Breakout force, lift	No	kg lb	1,874	4,131	2,083	4,592
	Half	kg lb	1,874	4,131	2,083	4,592
	Full	kg lb	1,874	4,131	2,083	4,592
Breakout force, curl	No	kg lb	1,798	3,964	2,222	4,899
	Half	kg lb	1,798	3,964	2,222	4,899
	Full	kg lb	1,798	3,964	2,222	4,899



DIMENSIONS

		Units		MC70C		MC85C		MC100C		MC105C	
A	Height to hinge pin	mm	ft in	3,000	9'10"	3,000	9'10"	3,000	9'10"	3,000	9'10"
B	Dump height	mm	ft in	2,260	7'5"	2,260	7'5"	2,260	7'5"	2,260	7'5"
C	Dump angle	°		42		42		42		42	
D	Dump reach	mm	ft in	560		860	2'10"	560	1'10"	860	2'10"
E	Roll back angle	°		30		30		30		30	
F	Ground clearance	mm	ft in	210	0'8"	210	0'8"	210	0'8"	210	0'8"
G	Wheelbase	mm	ft in	1,070	3'6"	1,070	3'6"	1,070	3'6"	1,070	3'6"
H	Overall length (L/bucket)	mm	ft in	2,740	8'12"	2,740	8'12"	2,740	8'12"	2,740	8'12"
I	Overall length (W/bucket)	mm	ft in	3,490	11'5"	3,490	11'5"	3,490	11'5"	3,490	11'5"
J	Angle of departure	°		25		25		25		25	
K	Overall height	mm	ft in	1,980	6'6"	1,980	6'6"	1,980	6'6"	1,980	6'6"
L	Bucket width	mm	ft in	1,680	5'6"	1,680	5'6"	1,680	5'6"	1,680	5'6"
M	Over tire / tracks width (L/bucket)	mm	ft in	1,520	4'12"	1,520	4'12"	1,520	4'12"	1,520	4'12"
O	Turning radius rear	mm	ft in	1,650	5'5"	1,650	5'5"	1,650	5'5"	1,650	5'5"
P	Turning radius front L/bucket	mm	ft in	1,140	3'9"	1,140	3'9"	1,140	3'9"	1,140	3'9"
Q	Turning radius front W/bucket	mm	ft in	2,090	6'10"	2,090	6'10"	2,090	6'10"	2,090	6'10"

Pallet forks MC70C MC85C MC100C MC105C		Overall height		Overall width		Overall length		Adjustable tine spacing				Pallet fork rating		Overall weight	
		mm	ft in	mm	ft in	mm	ft in	mm	ft in	mm	ft in	kg	lb	kg	lb
	PF-42	984	3'3"	1,194	3'11"	1,313	4'4"	229	0'9"	1,143	3'9"	2,722	6,001	206	454
	PF-48	984	3'3"	1,194	3'11"	1,466	4'10"	229	0'9"	1,143	3'9"	2,722	6,001	218	481

Data according to bucket type	Bucket	Width		Length		Height		Weight		Heaped cap	
		mm	ft in	mm	ft in	mm	ft in	kg	lb	m³	yd³
MC70C	General Purpose Bucket	1,524	5'0"	800	2'7"	521	1'9"	146	322	0.36	0.47
	General Purpose Bucket	1,676	5'6"	800	2'7"	521	1'9"	200	441	0.39	0.51
	Landscape Bucket	1,524	5'0"	953	3'2"	521	1'9"	160	353	0.45	0.59
	Landscape Bucket	1,676	5'6"	953	3'2"	521	1'9"	217	478	0.49	0.64
	Multi Purpose Bucket	1,524	5'0"	953	3'2"	701	2'4"	203	448	0.35	0.46
	Multi Purpose Bucket	1,676	5'6"	953	3'2"	701	2'4"	259	571	0.45	0.59

Data according to bucket type	Bucket	Width		Length		Height		Weight		Heaped cap	
		mm	ft in	mm	ft in	mm	ft in	kg	lb	m³	yd³
MC85C MC100C MC105C	General Purpose Bucket	1,680	5'6"	800	2'7"	521	1'9"	200	441	0.39	0.51
	General Purpose Bucket	1,829	6'0"	800	2'7"	521	1'9"	215	474	0.43	0.56
	Landscape Bucket	1,680	5'6"	953	3'2"	521	1'9"	217	478	0.49	0.64
	Landscape Bucket	1,829	6'0"	953	3'2"	521	1'9"	232	511	0.54	0.71
	Multi Purpose Bucket	1,676	5'6"	953	3'2"	701	2'4"	259	571	0.45	0.59
	Multi Purpose Bucket	1,829	6'0"	953	3'2"	701	2'4"	352	776	0.57	0.75

Equipment

STANDARD AND OPTIONAL EQUIPMENT

- = Standard
- = Optional

	MC70C	MC85C	MC100C	MC105C
Engine				
4-cylinder, 16-valve, electronic common rail, liquid-cooled, direct-injection, turbocharged diesel engine	●	●	●	●
Meets US EPA-Tier 4, EU St3B	●	●	●	●
Self-cleaning, dual-element, air cleaner	●	●	●	●
12-Volt heavy-duty starter	●	●	●	●
Alternator with internal regulator	●	●	●	●
Grid heater	●	●	●	●
Quick cycle engine preheat	●	●	●	●
Engine oil remote drain hose	●	●	●	●
High-capacity radiator	●	●	●	●
Spark arrestor muffler	○	○	○	○
Auto idling	●	●	●	●
Reversible fan	○	○	○	○
Maintenance-free Diesel Oxidation Catalyst (DOC)	●	●	●	●
External pre-cleaner (cyclonic type)	○	○	○	○
Engine block heater 110V	○	○	○	○
Engine block heater 240V	○	○	○	○
Cab, canopy equipment				
Canopy, isolation mounted, FOPS & ROPS, with low left-hand side door	●	●	●	●
Cabin, isolation mounted, heated fully glazed sealed and pressurized, FOPS & ROPS, washer/wiper and sliding left hand window	○	○	○	○
Cabin, isolation mounted, Air conditioned/heated fully glazed sealed and pressurized, FOPS & ROPS, washer/wiper and sliding left hand window	○	○	○	○
Right-hand laminated glass	●	●	●	●
Cab access step	●	●	●	●
Top window	●	●	●	●
In-cab rearview mirror	●	●	●	●
Interior light	●	●	●	●
Pod storage area	●	●	●	●
12-Volt power accessory outlet	●	●	●	●
Cup holder	●	●	●	●
Secondary exit through front windshield	●	●	●	●
Radio with Auxiliary input	○	○	○	○
In-cab fuse panel	●	●	●	●
In-cab analog hourmeter	○	○	○	○
Control panel				
Engine start/stop key switch	●	●	●	●
Electronic hand throttle	●	●	●	●
Electric lift and tilt hydraulic lockouts	●	●	●	●
Park brake switch	●	●	●	●
Full audible and/or visual warning systems (Charge pressure, Coolant temperature, Hydraulic oil and Engine oil pressure, Air filter restriction, Alternator, Low Fuel Level)	●	●	●	●
Fuel gauge	●	●	●	●
Coolant temperature gauge	●	●	●	●
Hydraulic oil temperature gauge	●	●	●	●
Hourmeter	●	●	●	●
Keyless start with immobilizer	○	○	○	○
Controls				
3-way function levers	●	●	●	●
7-way function levers, with 14-pin connector	○	○	○	○
ISO hand electro hydraulic controls	●	●	●	●
Operator modes	●	●	●	●
Control pattern selection: ISO or H-pattern	○	○	○	○
Foot throttle	●	●	●	●

STANDARD AND OPTIONAL EQUIPMENT

- = Standard
- = Optional

	MC70C	MC85C	MC100C	MC105C
Seats and seat belts				
Operator seat bar	●	●	●	●
Mechanical suspension seat	●	●	●	●
Air suspension seat, heated, vinyl, with adjustable control pods	○	○	○	○
Air suspension seat, heated, with adjustable control pods, cloth	○	○	○	○
2" retractable seat belt	●	●	●	●
3" retractable seat belt	○	○	○	○
Three points two inches retractable seat belt	○	○	○	○
Three points three inches retractable seat belt	○	○	○	○
Lighting and warning				
2 front 50-Watt work lights	●	●	●	●
1 rear 50-Watt work lights (2 if AC)	●	●	●	●
Additional (2nd) 50-Watt work light (if no AC)	○	○	○	○
Rotating beacon	○	○	○	○
Tall rotating beacon (Italy)	○	○	○	○
Back-up alarm with rear light	●	●	●	●
White noise back-up alarm	○	○	○	○
Road light kit including left and right hand side rear view mirrors	○	○	○	○
Loader arm and Hydraulic functions				
Radial lift	●	—	●	●
Vertical lift	—	—	—	●
Parallel-Lift, raise only	○	○	○	○
Lift-arm mounted auxiliary hydraulics (Flat face couplers)	●	●	●	●
Low flow case drain return line	●	●	●	●
High flow auxiliary hydraulics	○	○	○	○
Mechanical attachment bracket	●	●	●	●
Boom Suspension System	○	○	○	○
Float function	●	●	●	●
Creep speed control	○	○	○	○
Travel lock kit (Italy)	○	○	○	○
Driveline, undercarriage				
2 servo-assisted variable displacement piston pumps mounted in tandem	●	●	●	●
2 fixed displacement high torque motors	●	●	●	●
2-speed travel	○	○	○	○
Standard duty lug tires	●	●	●	●
Heavy-duty lug tires	○	○	○	○
Heavy-duty wide flotation lug tires	○	○	○	○
Hydraulic park brake	●	●	●	●
Maintenance				
Lockable rear service door and engine cover	●	●	●	●
Master electrical shut-off switch	●	●	●	●
Lockable fuel cap	●	●	●	●
Tilting canopy/cab	●	●	●	●
Lift-arm support strut	●	●	●	●
Emergency boom lower valve	●	●	●	●
Segment protection packages				
- FOPS level 2 roof guard	○	○	○	○
- Front screen guard	○	○	○	○
- Heavy duty rear bar	○	○	○	○
- Tilt cylinder guard	○	○	○	○
- Polycarbonate screen	○	○	○	○
- Mud guards and fuel cap protection	○	○	○	○

Contact your local dealer for more info