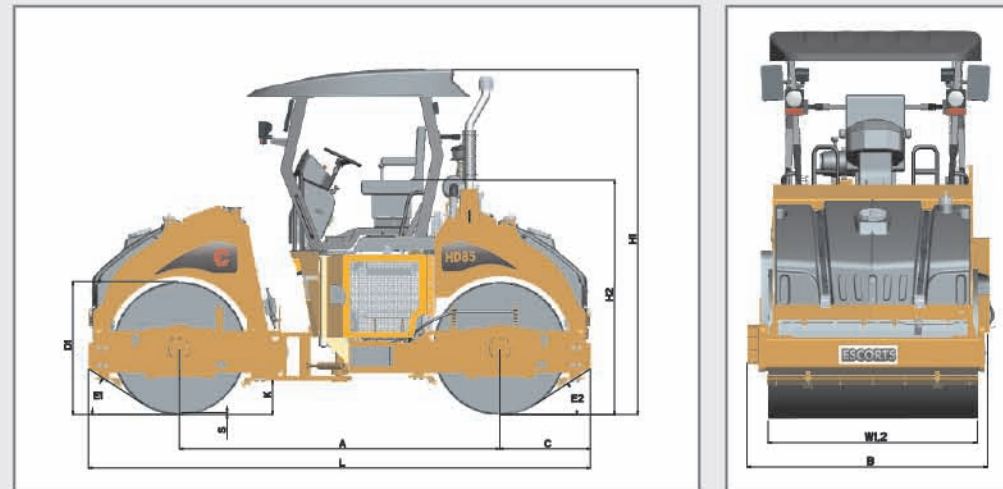


TANDEM VIBRATORY COMPACTOR



STATIC DIMENSIONS

A	Wheel Base	2900 mm
B	Overall Width	1922 mm
C	Axle To Rear Face	820 mm
D1=D2	Drum Diameter	1200 mm
H1	Total Travel Clearance With Canopy	3125 mm
K	Ground Clearance	310 mm
L	Total Travel Length	4550 mm
O	Overhang	170 mm
S	Drum Thickness	17 mm
W1=W2	Drum Width	1680 mm
E1	Front Departure Angle	31°
E2	Rear Departure Angle	31°

Take the **road**
ahead

HD-85 NS



ESCORTS ADVANTAGE

OPERATIONAL PARAMETERS



- **Amplitude**
High - 1.0 mm
Low - 0.4 mm
- **Frequency**
33 Hz
50 Hz
- Delay relay to avoid the sudden impact while switching from one frequency to another



THE EASE OF MAINTENANCE



- Tilttable ROC arrangement for ease of serviceability like cleaning

ENGINE

- 75 HP BS III CEV compliant 4 cylinder water cooled turbo charged ESCORTS E4.286 engine with inline pump
- Best-in-class fuel economy
- High on performance
- Lowest maintenance cost in its class

HIGH GRADEABILITY

- Equipped with this engine, the Escorts tandem series can compact in steep terrain up to a max of 45% (without vibration)

STURDY AND RELIABLE CONTROLS



- Dust & weather proof, rocker switch for high reliability
- IP 65 compliant



STATE-OF-THE-ART SPRINKLING SYSTEM

- Sprinkling nozzles with four stage filtration to avoid clogging
- Tongue-type nozzles to avoid rusting
- Wide flat fan with a sharply delimited spray pattern for long last uses

OPERATOR CABIN - THE DEFINITIVE STATEMENT



- Fibre glass canopy & ergonomically designed space for operator comfort
- Operator platform with bolt on legs for ease of transportation
- Rotating Platform $\pm 32^\circ$

HYDRAULICS



- Heavy duty, maintenance free battery at convenient location - 180 Ahr

SPECIFICATION

Technical Data	Units	HD-85
WEIGHTS		
Maximum Operating Weight	kg	9300
Operating Weight	kg	9000
Weight On Front Drum	kg	4500
Weight On Rear Drum	kg	4500
Static Liner Load-Front	kg/cm	26.8
Static Liner Load-Rear	kg/cm	26.8
DIMENSIONS		
Overall Width	mm	1922
Overall Length	mm	4550
Overall Height(with canopy)	mm	3125
Drum Diameter	mm	1200
Drum Width	mm	1680
Ground Clearance	mm	310
Turning Radius-outer/inner	mm	6200/4550
ENGINE		
Make		HA 494T
Specification		ESCORTS E4.286
Rated power	HP	4 Cylinder, Air Cooled, Bharat Stage III (CEV) Emission Norms
Electrical System		75 HP @ 2300 RPM
		12v
VIBRATION SYSTEM		
Frequency	Hz	33/50
High Amplitude	mm	1.0
Low Amplitude	mm	0.4
SPEED		
Travelling Speed	km/hr	0-9.5
GRADEABILITY		
Gradeability Without Vibration	%	45
Gradeability With Vibration	%	30
STEERING		
		Hydrostatic Power Steering
Steering Angle		± 30
Oscillation Angle		± 10
BRAKES		
Service Brake		Hydrostatic
Parking Brake		Spring Loaded Brake, Hydraulically Released on both drums
Emergency Stop		Spring Loaded Brake, Hydraulically Released on both drums
TANK CAPACITY		
Fuel Tank Capacity	Lts	140
Hydraulic Oil Tank Capacity	Lts	80
Water Tank Capacity	Lts	700
SPRINKLER SYSTEM		
4 Stage Filtration Pressure Sprinkle, Foot Actuation (Manual), Interval (Automatic), Corrosion free Plastic Water Tank on each drum.		
SAFETY FEATURES		
Neutral Start Switch, Air Filter Clog Indicator, Hydraulic Filter Clog Indicator, Reverse Buzzer, Auto-Vibration & Sprinkle Cut off, Audio Visual Warning for Low Lube Pressure and High Coolant Temperature.		
STANDARD EQUIPMENT		
Swinging Operator Seat for better drum visibility, Tilttable Steering, Larger Operator Platform accessible from each side, Electric Operator Controls, FRP Roof, Instrument Panel with a range of control instruments including Hour Meter & Light Equipment.		
OPTIONAL FITMENT		
Switchable to single/either Drum Vibration, Cabin, Heater, Demister, Edge Cutting and Pressing Disks, Cold Start Kit.		
NOTE: Technical modifications Reserved. All Dimensions & Weights are variable within $\pm 2.5\%$ over Indicated Values		