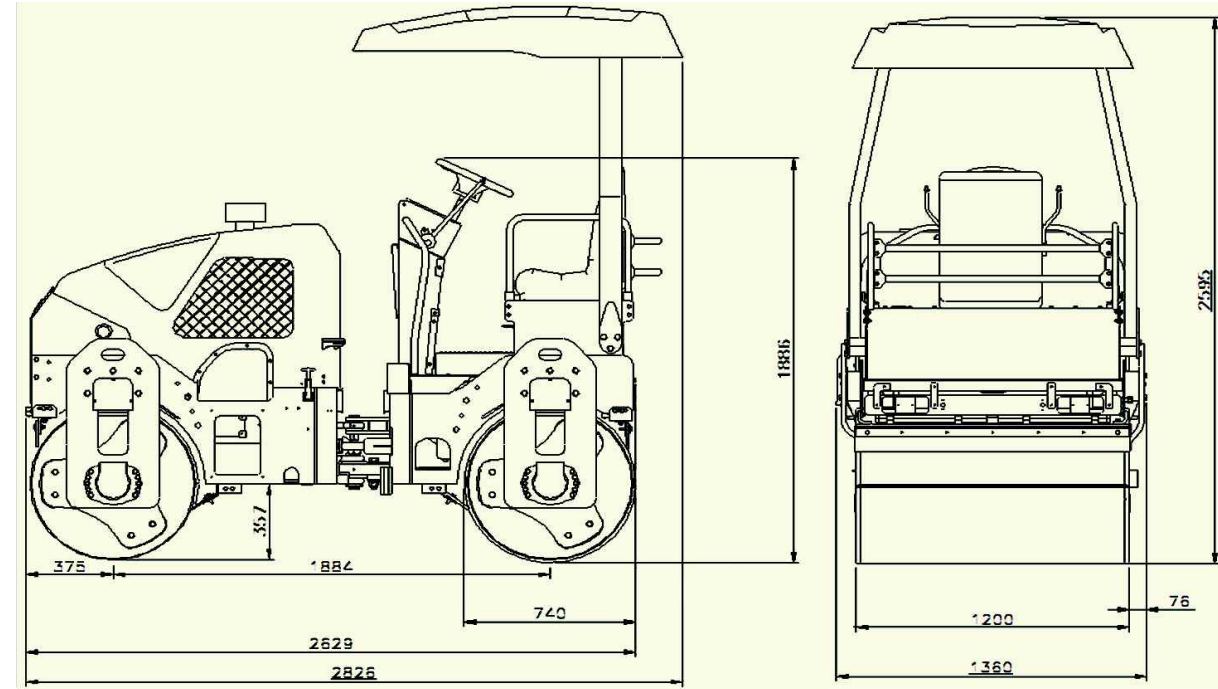


TECHNICAL DATA

WEIGHTS	Operating Weight [Kg]	3000
	Axle Load-Front [Kg]	1560
	Axle Load-Rear [Kg]	1440
	Static Linear Load [Kg/cm]	13
	Static Linear Load [Kg/cm]	12
DIMENSIONS	Overall Width [mm]	1360
	Overall Length [mm]	2826
	Overall Height with Canopy [mm]	2595
	Turning radius outer/inner [mm]	4100/2900
	Min. Ground Clearance [mm]	357
DRUM DIMENSIONS	Drum Diameter [mm]	740
	Drum Width [mm]	1200
	Shell Thickness [mm]	13
ENGINE	Make and Model	KOEL - HA 394 or equivalent
	Power Rating As per ISO 3046	Air-Cooled, 3 cylinder BS-III(CEV) Emission norm Diesel Engine developing 47 HP@2300 RPM
	Drive	Infinitely variable hydrostatic all wheel drive to both drums
SPEED (Forward and reverse)	Working [Km/h]	0 - 4
	Transport [Km/h]	0 -12
GRADEABILITY	Gradeability with Vibration (%)	35%
	Gradeability without Vibration (%)	40%
VIBRATION SYSTEM (Direct hydrostatic variable drive on both drums)		
	Frequency -Low /High (Hz)	55/64
	Nominal amplitude (mm)	0.6
	Vibration	2 Stage -Front and Rear drums / Front drum, Auto vibration Cut-off above working speed
	Max. Applied force on the front drum (Kgf)	6100
	Max. Applied force on rear drum (kgf)	5900
	Total Compaction force (KN)	93/120
STEERING (Hydrostatic Power Steering)	Articulated steering (degree)	±30°
	Oscillation angle (degree)	±10°
	Crab Steering (mm)	±48
TANK CAPACITY	Fuel Tank Capacity	50 Ltrs
	Hydraulic Oil Tank Capacity	40 Ltrs
	Water Tank	200 Ltrs (Rear-130 Ltrs/ Front -70Ltrs)
BRAKES	Service brakes	: Hydrostatic
	Parking brake	: Spring Loaded brakes, hydraulically released on both drums
	Emergency brake	: Spring Loaded brakes, hydraulically released on both drums
WATER SPRINKLING SYSTEM		
	Gravity Water Sprinkling System / Pressurized Force Feed	
	Foot Actuation (Manual), Interval (Automatic)	
	3 Stage Filtration System	
DRUM SCRAPER	2 Scraper per Drum, Self Adjusting Type	
DRIVER SEAT	Adjustable and sliding type with a canopy at the top for protection	
SAFETY FEATURES		
	Neutral Start Switch, Emergency Stop Switch, Reverse Alarm, Air Filter Clog Indicator, Hydraulic Filter Clog Indicator, V-belt Failure Warning Horn, High Engine Oil Temperature Indicator, Low Engine Oil Pressure Gauge, Hydraulic Oil Temperature Gauge, Indicator Light for Battery Discharge	
STANDARD EQUIPMENT	Canopy with Sun Top, Instrument Panel with a range of control instruments including Hour meter & light equipment, Switchable to Both / Single Drum vibration.	
OPTIONAL EQUIPMENT	Cabin, Demister, Instrument Panel Cover, Cold Start kit.	



ESCORTS
CONSTRUCTION EQUIPMENT

Plot No. 219, Sector 58, Ballabgarh-121 004, Haryana, India
Tel.: +91 129 2306 300, Fax: +91 129 2306 463 | e-mail: exports.ece@escorts.co.in | www.escortsece.com

LIT / MKTG / EC 3664 / 03-16

EC 3664 Dimensions

EC 3664


ESCORTS
CONSTRUCTION EQUIPMENT



ESCORTS Mini Tandem Vibratory Roller

The information contained in this leaflet is intended to be of general nature only. We reserve the right to change the specifications without any prior notice. All dimensions and weights are variable with in ±2.5%

Escorts Mini Tandem Vibratory Compactor - EC 3664



Seating

Driver's Seat is adjustable and sliding with a canopy for operator's comfort and clear visibility



Instrument Panel with conveniently placed switches and buttons for easy access & reach

Instrument Panel



Optimized setting of amplitude, frequency and even distribution of weight helps in achieving high compaction

Optimum Amplitude



Engine

KOEL Engine HA 394 is High on Power and Traction. Low on Fuel Consumption and Maintenance



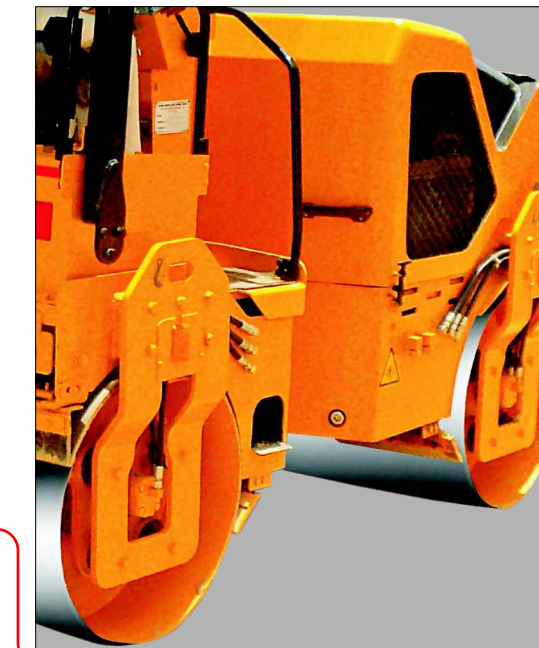
Key features:

- Suited for shoulder compaction/ Service roads
- Highest Gradeability in the industry
- High ground clearance of 370 mm for working on uneven surfaces
- High kerb clearance of 635 mm for effective compaction along culverts
- High static linear load
- Low turning radius
- Escorts product support of Parts and service with 110 locations across the country



Gradeability

Highest gradeability in the industry making it versatile for all applications



Easy Operation

Compact machine for ease of usage & transportation



Steering Angle

Articulation Steering Angle is high for low turning radius



Ground Clearance

Best in class ground clearance for uneven ground operations