

Engine Cummins
Net Power 84 kW (112 hp) @ 2,200 rpm
Vibration Frequency Range 33 Hz
Centrifugal Force Range 270 kN / 170 kN
Working Width 2,130 mm
Operating Weight 11,240 kg

CLG611H Roller

 **LIUGONG**



TOUGH WORLD. TOUGH EQUIPMENT.

CLG611H Single Drum Hydrostatic Vibratory Roller



ENGINE

Emission Regulation	Tier 2 / Stage II
Make	Cummins
Gross Power	93 kW (125 hp) @ 2,200 rpm
Net Power	84 kW (112 hp) @ 2,200 rpm
Peak Torque	480 N · m
Number of Cylinders	4
Aspiration	Turbo air-to-air , aftercooled
Cooling Type	water

ELECTRICAL SYSTEM

System Voltage	24 V
----------------	------

DRIVE TRAIN

Theoretical Gradeability, without / with Vibration	45%
Transmission Type	hydrostatic
Maximum Speed, fwd	10.5 km/h
Inside Turning Radius	< 4,370 mm
Outside Turning Radius	< 6,500 mm

AXLES

Steering System	hydraulic
Steering Method	articulation
Steering Angle	±35°
Steering Relief Pressure	16MPa
Differential Rear Type	limited slip

BRAKES

Service Brake Type	hydraulic
Service Brake Actuation	hydraulic
Parking Brake Actuation	mechanical apply; hydraulic release

TIRES

Tire Size	23.1 – 26 - 12 PR
-----------	-------------------

HYDRAULIC SYSTEM

Main Pump Type	piston pump + gear pump
Main Relief Pressure	420 + 180 bar

PERFORMANCE

Static Linear Front Drum Load	250 N/cm
Number of Vibrating Drum	1
Nominal Amplitude Range	1.8 / 1.2 mm
Vibration Frequency Range	33 Hz
Centrifugal Force Range	270 / 170 kN
Number of Amplitude Settings	2

OPERATING WEIGHTS

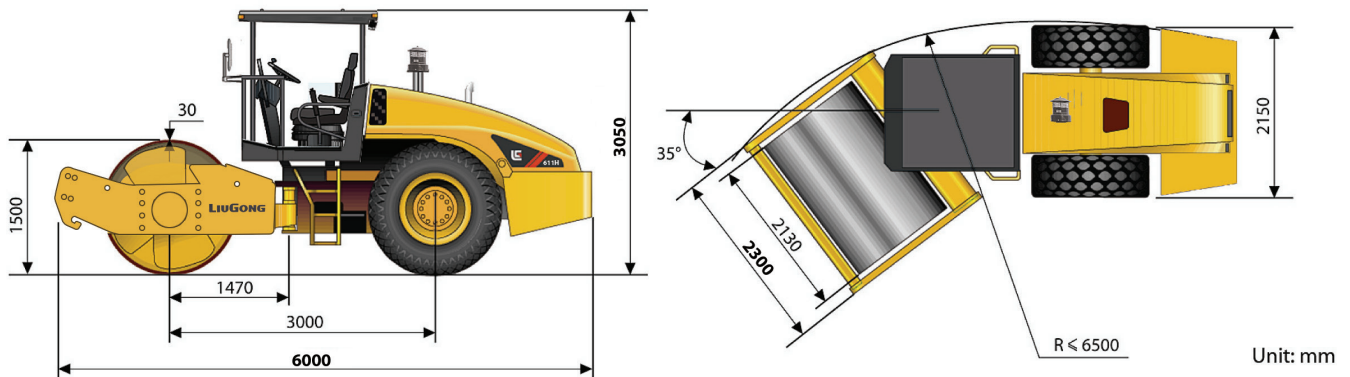
Operating Weight with Ballast	11,240 kg
Weight on Front Drum	5,500 kg
Weight on Tires	5,740 kg

SERVICE CAPACITIES

Fuel Tank	300 L
Engine Oil	17 L
Cooling System	28 L

OPTIONAL EQUIPMENT

- Padfoot Drum Segment Kit (PDH)
- Rotary Beacon
- Backup Alarm



Guangxi Liugong Machinery Co., Ltd.

No. 1 Liutai Road, Liuzhou, Guangxi 545007, PR China
 T: +86 772 3886124 E: overseas@liugong.com
 www.liugong.com

04/2014 Designed by Liugong