

A photograph of an Ammann ARX 26K roller in operation. The machine is yellow and black with a large black drum. An operator wearing a yellow hard hat and a high-visibility yellow jacket is seated on the machine. The background shows a construction site with trees and a clear sky. The image is partially overlaid with a teal gradient on the left side.

ARX 26K

LIGHT TANDEM VIBRATORY ROLLER
Tier 4i

THE BEST OF BOTH WORLDS

The Ammann ARX 26K is a combination roller that utilises both a vibrating drum and pneumatic tyres and performs well on both soil and asphalt. At 2250 kg, the ARX 26K provides more weight than the lightest models. Yet it still is able to work flush against curbs and other obstructions. This combi version performs well on soil and has a quality sprinkling system in place for asphalt applications.

COMPACTION PERFORMANCE

- Combined benefits of vibrating drum and pneumatic tyres
- Optimal drum diameter
- Balanced weight front and rear
- 2 frequencies with 2 centrifugal forces

EASY MAINTENANCE

- Reliable, long-life vibration system
- Outside drain plugs for quick fluid changes
- Bearings and central articulated joint lubricated for the machine's life
- Easy access to maintenance points, water filters and nozzles
- Long service life and extended service intervals

EASY OPERATION

- Electronic drive lever for smooth starts and stops
- Rubber-mounted platform that limits vibration
- Intuitive, ergonomic instrument panel
- Tight turning radius

EXCELLENT VISIBILITY

- Unobstructed view to drums
- Sliding operator's seat

TRANSPORTABILITY

- Compact design for easy loading
- Foldable ROPS

REDUCED MATERIAL PICKUP

- Multiple water nozzles
- 2 scrapers per drum

APPLICATIONS

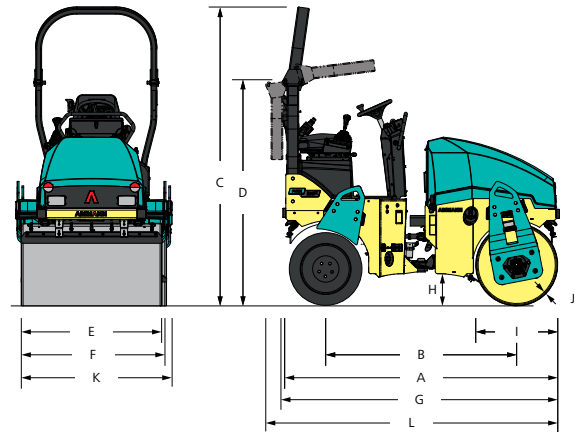
- Small and medium construction sites
- City roads
- Boardwalks
- Repair works in city centre

AMMANN

TECHNICAL SPECIFICATIONS
ARX 26K LIGHT TANDEM VIBRATORY ROLLER

DIMENSIONS

A	MACHINE LENGTH	2330 mm (91.7 in)
B	WHEELBASE	1653 mm (65.1 in)
C	MACHINE HEIGHT	2550 mm (100.4 in)
D	MACHINE HEIGHT (FOLDED ROPS)	1930 mm (76 in)
E	DRUM WIDTH	1200 mm (47.2 in)
E	TIRE-AXLE WIDTH	1170 mm (46.1 in)
F	MACHINE WIDTH	1247 mm (49.1 in)
G	MACHINE LENGTH	2369 mm (93.3 in)
H	GROUND CLEARANCE	275 mm (10.8 in)
I	DRUM DIAMETER	700 mm (27.6 in)
J	DRUM SHELL THICKNESS	13 mm (0.5 in)
K	MACHINE WIDTH (TOTAL)	1294 mm (50.9 in)
L	MACHINE LENGTH (FOLDED ROPS)	2506 mm (98.7 in)



COMPACTION FORCES

AMPLITUDE	0.45 mm (0.02 in)
FREQUENCY AT 2100 / 2400 RPM	58/66 Hz (3480/3960 VPM)
CENTRIFUGAL FORCE – MAX.	47 kN

MISCELLANEOUS

BATTERY / CAPACITY	12/77 V/Ah
WATER TANK	200 l (52.8 gal)
HYDRAULIC TANK	16 l (4.2 gal)
DIESEL FUEL TANK	40 l (10.6 gal)
WHEEL LOAD	260 kg (573.2 lb)
NUMBER OF WHEELS	4
TIRE SIZE	8/60-15

WEIGHT & OPERATING CHARACTERISTICS

OPERATING WEIGHT CECE	2250 kg (4960.4 lb)
OPERATING WEIGHT MAX.	2650 kg (5842.2 lb)
STATIC LINEAR LOAD (FULL-FLUSH)	10.3 kg/cm (22.7 lb)
TURNING RADIUS INSIDE	2250 mm (88.6 in)
STEERING / OSCILLATING ANGLE	32/8 ±°
DRUM OFFSET	40 mm (1.57 in)

ENGINE

ENGINE TYPE	YANMAR 3TNV88
EMMISSION CLASS	EU Stage IIIA / EPA Tier 4i
POWER OUTPUT ISO 3046	22.2 kW / 29.8 HP
CYLINDER / LTR.	3 cyl / 1642 No./ccm
1. / 2. WORKING SPEED	2100 / 2400 rpm
TRAVEL SPEED KM/H	10 km/h (6.2 MPH)
GRADEABILITY WITH / WITHOUT VIBR.	30 % / 40 %



STANDARD

- Front and rear vibration and drive
- Control system with emergency stop
- Pressurised pulse interval sprinkler system
- Ammann Vibration Control
- Lateral sliding seat
- 2 working frequencies
- Hydraulic test ports
- Wide-tyre kit

OPTIONAL EQUIPMENT

- CE-Kit with folding ROPS and working lights
- Road lighting
- Canopy
- Asphalt thermometer
- Reverse alarm
- Battery disconnection switch
- Central lifting hook
- ATC – Ammann Traction Control
- Arm rests
- Second drive-lever, left
- Edge-cutter incl. multi-function lever
- Bio-degradable hydraulic oil
- Drums in line
- Customer colour
- Central lifting hook
- FOPS canopy
- Rear tyred axle
- ACE^{force}
- Additional working lights (ROPS)
- Warning beacon
- Foldable scrapers
- Weather canopy