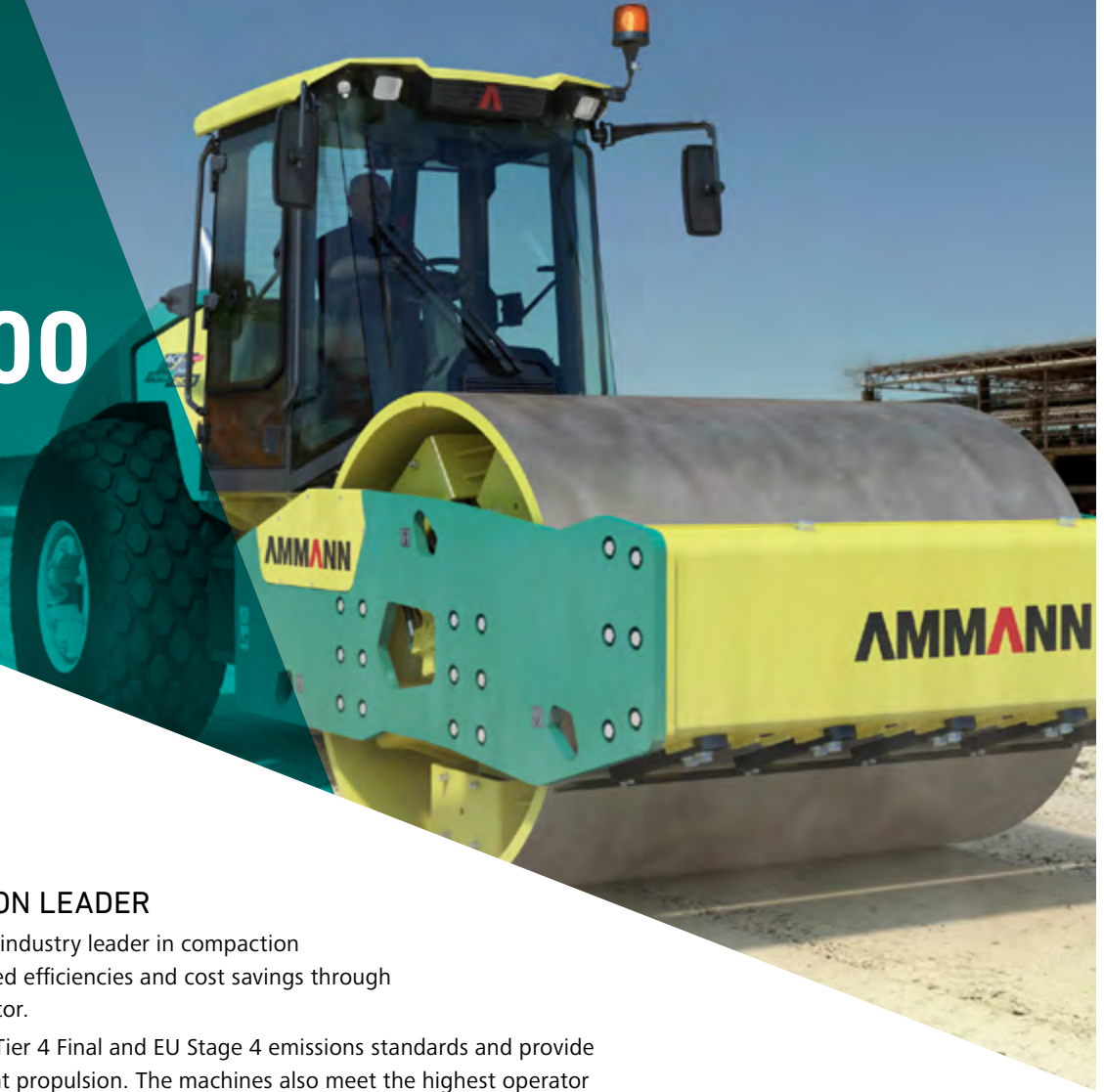


ARS 200

SOIL COMPACTOR
Tier 4f



EFFICIENT COMPACTION LEADER

Ammann continues to be the industry leader in compaction output while offering improved efficiencies and cost savings through the ARS 200 T4f Soil Compactor.

The machines meet U.S. EPA Tier 4 Final and EU Stage 4 emissions standards and provide the cleanest and most efficient propulsion. The machines also meet the highest operator standards, with intuitive control via a centralized multifunctional display built into the steering wheel. A wide range of compaction tools such as the ACE^{force} system help operators monitor indications of compaction.

DESIGN

- Intuitive and easy-to-access controls
- Multifunctional display in steering wheel for full utilisation of all machine functions
- Intelligent propulsion system for industry-leading gradeability and fuel economy

MAINTENANCE

- The positioning of the engine enables access from all 4 sides of the engine
- Main maintenance and service parts are accessible at ground level

TRACTION

- Separate hydraulics for each rear wheel for exceptional traction
- Ammann Traction Control (ATC) to monitor wheel torque and prevent slipping

COMPACTION OUTPUT

- Industry-leading compaction output
- Highly-regarded Ammann vibratory system
- Productive, easy-to-adjust amplitude settings
- Varied amplitude and vibration settings for use in sensitive areas

APPLICATIONS

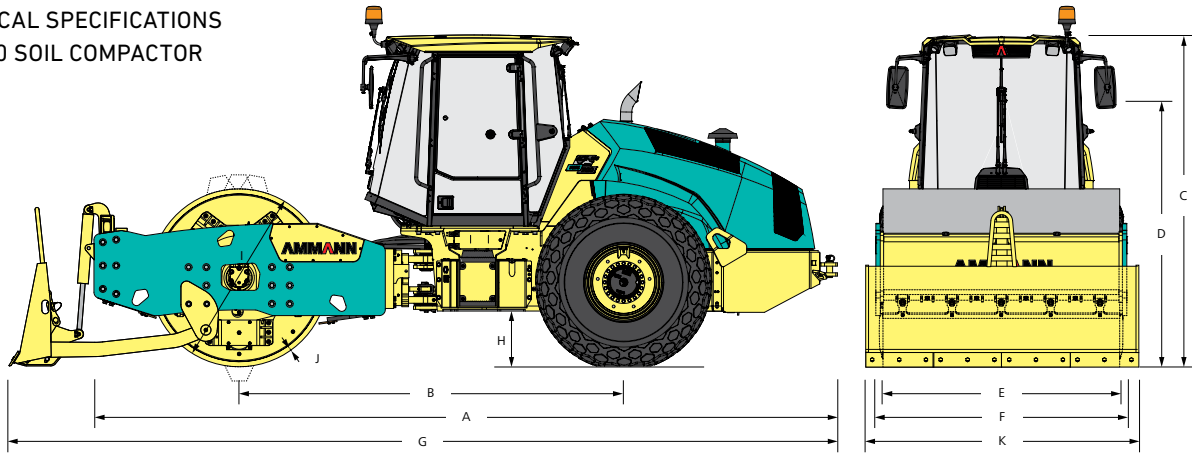
- Large jobsites
- Heavy transport construction (sub-base of railways, airfields, water dams, harbours)

MAXIMUM RECOMMENDED COMPACTED LIFT THICKNESS AT OPTIMAL WORKING CONDITIONS

	Rockfill	Sand / Gravel	Mixed Soils	Silt	Clay
ARS 200	1.7 m (67 in)	1 m (39.4 in)	0.85 m (33.5 in)	0.65 m (25.6 in)	0.3 m (11.8 in)

AMMANN

TECHNICAL SPECIFICATIONS
ARS 200 SOIL COMPACTOR
Tier 4f



DIMENSIONS

		D	PD
A	MACHINE LENGTH	6688 mm (260,8 in)	6688 mm (260,8 in)
B	WHEELBASE	3460 mm (135 in)	3460 mm (135 in)
C	MACHINE HEIGHT	2985 mm (116,4 in)	2985 mm (116,4 in)
D	MACHINE HEIGHT (REMOVED CAB / ROPS)	2565 mm (100 in)	2565 mm (100 in)
E	DRUM WIDTH	2130 mm (83 in)	2130 mm (83 in)
F	MACHINE WIDTH	2258 mm (88 in)	2258 mm (88 in)
G	MACHINE LENGTH (BLADE)	-	7496 mm (292,3 in)
H	GROUND CLEARANCE	500 mm (19,5 in)	500 mm (19,5 in)
I	DRUM DIAMETER	1600 mm (62,4 in)	1795 mm (62,4 in)
J	DRUM SHELL THICKNESS	45 mm (1,8 in)	30 mm (1,8 in)
K	MACHINE WIDTH (BLADE)	-	2441 mm (95,2 in)

MISCELLANEOUS

BRAKES OPERATING	Hydrostatic
BRAKES PARKING	Multiple-discspring brake
BRAKES EMERGENCY	Multiple-discspring brake
FUEL TANK CAPACITY	310 l (82 gal)
VOLTAGE	24 V



STANDARD EQUIPMENT

- ATC
- Smooth drum
- Two stage vibratory unit
- D drive
- Electrohydraulic cabin & hood tilting
- Working lights head and rear
- Hydraulic test ports on components
- Diamond tread tires

COMPACTION FORCES

FREQUENCY I CE	34 Hz (2040 VPM)
FREQUENCY II CE	27 Hz (1620 VPM)
FREQUENCY ACE MIN./MAX.	-
AMPLITUDE I	1 mm (0,039 in)
AMPLITUDE II	2 mm (0,078 in)
AMPLITUDE ACE MIN./MAX.	-
CENTRIFUGAL FORCE I	300 kN (67442,7 lbf)
CENTRIFUGAL FORCE II	375 kN (84303,4 lbf)
CENTRIF. FORCE ACE MIN./MAX.	-

ENGINE

MANUFACTURER	DEUTZ TCD 6.1 L6
POWER ACCORDING TO ISO 3046-1	160 kW (214,6 HP)/2200 rpm
MAXIMUM TORQUE	694/1600 Nm/rpm
ENGINE COMPLIES WITH EMISSION REGULATIONS	EU Stage IV, U.S. EPA Tier 4f

WEIGHT & OPERATING CHARACTERISTICS

OPERATING WEIGHT CECE (D/PD VERSION)	19750 kg (43541,3 lb) / 19 875 kg (43817 lb)
OPERATING WEIGHT ČSN ISO 6016	19620 kg (43254,7 lb)
MAXIMUM WEIGHT (D/PD VERSION)	26000 kg (57320,2 lb) / 26 125 kg (57596 lb)
STATIC LINEAR LOAD	58,6 kg/cm (327,9 lb/in)
MAX. TRANSPORT SPEED	12(10,5) km/h (7,5(6,5) mph)
MAX. WORKING SPEED	7(5,8) km/h (4,4(3,6) mph)
CLIMBING ABILITY	55(60)%
TURNING RADIUS INNER (EDGE)	4370 mm (170,4 in)
TURNING RADIUS INNER (CONTOUR)	6710 mm (261,7 in)

OPTIONAL EQUIPMENT

- ACE^{force}
- ACE GPS monitoring
- PD Drum (or PD Shell Kit)
- Hardox Pads for PD Drum
- HX Drive version
- Air Condition for cab
- Radio with CD
- 360° Illumination Kit
- Ammann Toolkit
- Dozer Blade
- Road lighting
- Warning beacon
- Back-up alarm
- Telematics ready
- Centralised hydraulic test ports
- Tractor tires