

SAKAI®

SW770 SW780 SW790

Series

Asphalt Roller



Vibratory Tandem Roller

Efficient compaction with various vibratory modes

Sakai patented compaction technologies

- SW770HF, standard model features 4,000vpm high frequency vibration by which can efficiently to achieve the density faster and create smoother hot mix asphalt (HMA) mat.
- On "ND" model, oscillatory or circular (normal) vibration is selected by switch at operator station depending on the job conditions. The oscillatory vibration is good for thin layer and the circular vibration is effective for thick layer compaction.

Operators comfort

- Full view over drum surface, drum edge and sprinkler nozzles.
- Auto shut-off of water sprinkler when the Forward&Reverse lever is in the neutral position.
- Patented dual water pump system for increased reliability.

High safety standards

- 1 m (39 in) × 1 m (39 in) visibility.
- Emergency brake pedal is standard.

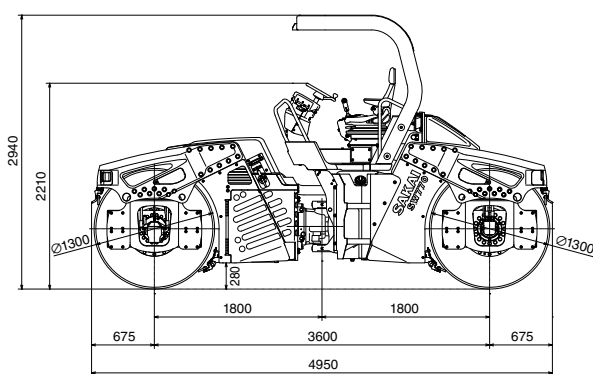
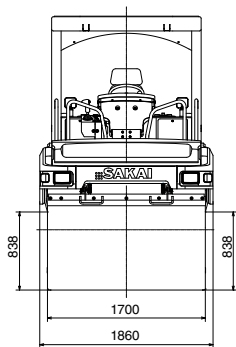
Easy Maintenance

- Rugged articulated centre-pin joint.
- Long life Sakai patented rubber isolators for drums.
- Sprinkler system with anti-clog package, i.e., a plastic water tank, triple-protection filtration, etc., and with perfect draining winterization.
- Isuzu Tier 3 engine with turbo that maintains output even at high elevations.

See in detail at Sakai Web site

www.sakainet.co.jp

SW770·780·790 Series



unit : mm

TYPE		Vibratory Tandem Roller						
MODEL		SW770	SW770HF	SW770ND	SW780	SW780ND	SW790	
CHASSIS MODEL		4SW48			4SW54		4SW55	
WEIGHTS	Operating weight (with ROPS)	10,800 (23,810)		11,320 (24,955)	12,310 (27,140)	12,610 (27,800)	12,740 (28,085)	
	Empty weight (with ROPS)	9,800 (21,605)		10,320 (22,750)	11,310 (24,935)	11,610 (25,595)	11,740 (25,880)	
	Load on front axle (operating weight with ROPS)	5,200 (11,465)		5,460 (12,035)	5,955 (13,130)	6,105 (13,459)	6,170 (13,600)	
	Load on rear axle (operating weight with ROPS)	5,600 (12,345)		5,860 (12,920)	6,355 (14,010)	6,505 (14,341)	6,570 (14,485)	
PERFORMANCE	Centrifugal force (L/H)	68 / 132 (15,285 / 29,675)	47,68,120 / 92,132 (10,565, 15,285, 26,975 / 20,680, 29,675)	V:155 / 0:162 (V:34,845 / 0:36,420)	68 / 132 (15,285 / 29,675)	V:155 / 0:162 (V:34,845 / 0:36,420)	68 / 132 (15,285 / 29,675)	
	Frequency (L1, L2, L3/H1, H2)	50 / 50 (3,000 / 3,000)	42,50,67 / 42,50 (2,500, 3,000, 4,000 / 2,500, 3,000)	V:50 / 0:50 (V:3,000 / 0:3,000)	50 / 50 (3,000 / 3,000)	V:50 / 0:50 (V:3,000 / 0:3,000)	50 / 50 (3,000 / 3,000)	
	Amplitude (L/H)		0.33 / 0.65 (0.013 / 0.026)	V:0.65 / 0:0.70 (V:0.026 / 0:0.028)	0.26 / 0.52 (0.010 / 0.020)	V:0.57 / 0:0.55 (V:0.022 / 0:0.022)	0.25 / 0.50 (0.010 / 0.020)	
	Dynamic linear pressure for front roll (operating weight with ROPS)	700 / 1,076 (400 / 615)	576,700,1,006 / 841,1,076 (320,400,575 / 480,615)	1,227 (700)	612 / 952 (350 / 545)	1,074 (613)	603 / 904 (345 / 515)	
	Dynamic linear pressure for rear roll (operating weight with ROPS)	723 / 1,100 (415 / 630)	600,723,1,029 / 864,1,100 (340,415,575 / 495,630)	1,250 (713)	652 / 972 (370 / 555)	1,094 (624)	622 / 922 (355/525)	
	No.of speeds	2						
	Speed range (Forward & Reverse) (L/H)	6.0 / 12.0 (3.7 / 7.5)	6.0 / 14.0 (3.7 / 8.7)		6.0 / 12.0 (3.7 / 7.5)			
	Gradability	26 (14.7)	39 (21.5)		25 (14.1)	23 (12.9)	21 (12.0)	22 (12.5)
	Min. turn radius (outer)	6.3 (248.0)			6.4 (252.0)		6.5 (255.9)	
	DIMENSIONS	Overall length	4,950 (194.9)					
Overall width		1,860 (73.2)		2,160 (85.0)		2,290 (90.2)		
Overall height (with ROPS)		2,940 (115.7)						
Wheelbase		3,600 (141.7)						
Compaction width		1,700 (66.9)			2,000 (78.7)		2,130 (83.9)	
Drum width / Drum diameter (outer)		1,700 / 1,300 (66.9 / 51.2)			2,000 / 1,300 (78.7 / 51.2)		2,130 / 1,300 (83.9 / 51.2)	
Shell thickness		19 (0.75)			22 (0.87)			
Ground clearance		280 (11.0)						
Curb clearance		838 (33.0)						
Side clearance		80 (3.1)						
ENGINE	Make	ISUZU						
	Model	4JJ1XDIA (Tier3)						
	Type	Diesel, Water-cooled, 4-cycle, with turbocharger						
	Displacement	L (cu.in) 2,999 (183)						
	Rated output	KW (HP) / min ⁻¹ 92 (123) / 2,200						
	Electric system battery	V (V / Ah × Qty) 24 (12 / 80 × 2)						
	Electric system alternator	V / A 24 / 50						
POWER LINE	Transmission	Hydrostatic transmission						
	Type	Hydraulic						
	Drive wheel	All wheel						
VIBRATION SYSTEM	Drive	Hydrostatic						
	Amplitude control	2						
BRAKE SYSTEM	Vibrator	Eccentric shaft type						
	Service (emergency)	Hydrostatic + SAHR / Brake Pedal						
	Parking	spring-applied, hydraulically released type (SAHR) / Panel Button						
STEERING SYSTEM	Working (nominal)	Hydrostatic dynamic brake through drive system / F&R Lever						
	Type	Hydraulic type (articulated)						
FLUID CAPACITY	Articulation / Oscillation (+/-)	37 / 6.5						
	Fuel tank	L (gal)		193 (51)				
	Hydraulic tank	L (gal)		50.3 (13)				
	Sprinkler tank	L (gal)		1000 (264)				

- Operating Weight : 100% Fuel, 100% Water, No Operator.
- Specifications are subject change without notice.
- All units are SI units. Inside of () is for reference units.
- Above specified numbers will be deviated within ±5%.

- ※ Engine meets EPA standards.
- ※ Using low quality fuel may cause engine failure.



SAKAI HEAVY INDUSTRIES, LTD. obtain the certification of quality management system ISO9001.

HEAD OFFICE: 1-4-8, SHIBA DAIMON, MINATO-KU, TOKYO JAPAN
TELEPHONE: +81-3-3431-9971
FACSIMILE: +81-3-3436-6212

Standard Equipment :

- Instrument ● Gauges ● Back up alarm ● Horn
- Pressurized water sprinkler system ● Intermittent water spray timer

Optional Equipment :

- ROPS ● Exact compact meter