

SAKAI®

SV630

Series



SV630T

VIBRATORY SINGLE DRUM ROLLER

The innovatively designed SV630 is applicable to medium to large soil compaction jobs. The SV630 includes new roller features and optimizes job profitability through efficiency.

Proven Compactive Performance

- Roller compactive force reaches target density in less number of roller passes.
- Provides higher centrifugal force and amplitude.
- Achieves uniform compaction throughout lift thickness.

Low Operating Costs

- Sakai's new *Eco compaction mode (ECM)*, which reduces fuel consumption up to 20%, while maintaining compactive performance.
- Quality and durable components such as hydraulics, drum, center-pin hitch provide less maintenance.

Operator Comfort and Safety

- Includes Sakai's durable dual rubber isolation system between the drum and operator deck.



SV630D

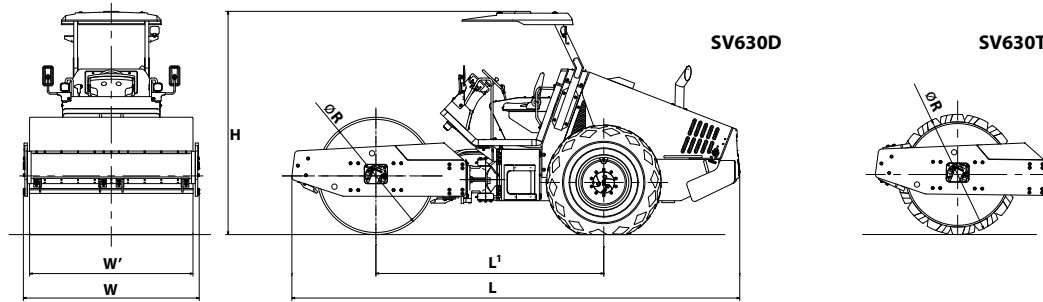
The photos may contain optional equipment and/or attachment.



If you need any technical or service parts support on our products, please contact this web page.

www.sakainet.co.jp/english/

SV630 Series



TYPE		Vibratory Single Drum Roller		
MODEL		SV630D	SV630T	
CHASSIS MODEL		2SV51		
WEIGHTS	Max. operating weight with AWNING	kg (lbs)	12,950 (28,550)	
	Operating weight with AWNING	kg (lbs)	12,860 (28,350)	
	Load on front axle - operating weight with AWNING	kg (lbs)	7,090 (15,630)	
	Load on rear axle - operating weight with AWNING	kg (lbs)	5,770 (12,720)	
PERFORMANCE	Centrifugal force (L / H)	kN (lbs)[kgf]	172 / 255 (38,665 / 57,325) [17,540 / 26,000]	
	Frequency (L / H)	Hz(vpm)	33.3 / 28.3 (2,000 / 1,700)	
	Amplitude (L / H)	mm (in)	1.02 / 2.08 (0.040 / 0.082)	
	Dynamic linear pressure for front drum - operating weight with AWNING (L / H)	N/cm (lbs/in)	1,134 / 1,523 (645 / 870)	
	Number of speed shifts		2	
	Speed range (L / H)	km/h (mph)	0-6 / 0-10 (0-3.7 / 0-6.2)	
	Gradeability	% (°)	51 (27)	
	Turning radius compacted surface (inside / outside)	m (in)	3.5 / 5.6 (138 / 221)	
	DIMENSIONS	Overall length L	mm (in)	5,840 (230)
		Overall width W	mm (in)	2,295 (90)
Overall height (without AWNING)		mm (in)	2,200 (87)	
Overall height (with AWNING) H		mm (in)	2,910 (115)	
Wheelbase L'		mm (in)	2,970 (117)	
Compaction width W'		mm (in)	2,130 (84)	
Drum width W' / Drum diameter R		mm (in)	2,130 / 1,530 (84 / 60)	
Pad height		mm (in)	-	
Number of pads		pcs.	-	
Shell thickness		mm (in)	25 (1.0)	
ENGINE	Make		CUMMINS	
	Model		QSB4.5 (EPA Tier3, Stage-IIIa : equivalent)	
	Type		Diesel, water-cooled, 4-cycle, 4-cylinder inline, with turbo charger	
	Displacement	L(cu.in)	4.500 (274.6)	
	Rated output	kW (HP)/min ⁻¹	110.0 (148) / 2,300	
	Electric system battery	V (V / Ah×Qty)	24V (12V / 80Ah, CCA655 × 2)	
	Electric system alternator	V/A	24V / 70A	
	DRIVE SYSTEM	Power transmission type		Hydrostatic
		Drive wheel		All wheel (drum & tires)
	VIBRATION SYSTEM	Power transmission type		Hydraulic
Number of amplitude			2	
BRAKE SYSTEM	Vibrator type		Single eccentric shaft	
	Service brake		Dynamic braking through hydrostatic drive system / FNR lever	
	Secondary brake (Emergency brake)		Hydrostatic + Spring-applied hydraulically released (SAHR) / Brake pedal	
STEERING SYSTEM	Parking brake		SAHR / Panel button	
	Power transmission type		Hydraulic	
FLUID CAPACITY	Articulation / Oscillation angle	± (°)	37 / 9	
	Fuel tank	L (gal)	210 (55.5)	
	Hydraulic oil tank	L (gal)	50 (13.2)	

- Specified figures have a tolerance of ±5%.
- All specifications may be changed without notice.
- Specified figures are in SI Units, followed by their equivalent in English units of measurement in parentheses.

- Max. operating weight : Fuel=100%, Water=100%, Operator=75kg
- Operating weight : Fuel=50%, water=50%, operator=75kg
- The photos may contain optional equipment and/or attachment.

* Using low quality fuel may cause engine failure.

SAKAI HEAVY INDUSTRIES, LTD. obtain the certification of quality management system ISO9001.



SAKAI HEAVY INDUSTRIES, LTD.

HEAD OFFICE: 1-4-8, SHIBA DAIMON, MINATO-KU, TOKYO JAPAN

TELEPHONE: +81-3-3431-9971

FACSIMILE: +81-3-3436-6212

2017.01.xxv①©