

826K

Landfill Compactor



Engine

Engine Model	Cat® C15 ACERT™	
Emissions	Meets U.S. EPA Tier 4 Final/EU Stage IV emission standards or meets U.S. EPA Tier 3/EU Stage IIIA equivalent emission standards	
Gross Power	324 kW	435 hp
Maximum Net Torque @ 1,300 rpm	2005 N-m	1,478.8 lbf-ft

Operating Specifications

Maximum Operating Weight (Tier 4 Final/Stage IV) – Multiple Blade and Wheel Offerings	40 917 kg	90,207 lb
Maximum Operating Weight (Tier 3 Final/Stage IIIA equivalent) Multiple Blade and Wheel Offerings	40 454 kg	89,186 lb

826K Landfill Compactor Specifications

Engine

Engine Model	Cat C15 ACERT	
Emissions	Tier 4 Final/Stage IV or Tier 3/Stage IIIA equivalent	
Rated Power (Net SAE J1349)	302 kW	405 hp
Rated Power (Net ISO 9249)	302 kW	405 hp
Gross Power	324 kW	435 hp
Net Power		
Direct Drive – Gross Power	307 kW	412 hp
Direct Drive – Torque Rise	33%	
Converter Drive – Gross Power	324 kW	435 hp
Converter Drive – Torque Rise	8.5%	
Maximum Net Torque @ 1,300 rpm	2005 N·m	1,478.8 lbf-ft
Maximum Altitude without Derating (Tier 4 Final/Stage IV)	2834 m	9,298 ft
Maximum Altitude without Derating (Tier 3/Stage IIIA)	2773 m	9,098 ft
Bore	137.2 mm	5.4 in
Stroke	171.4 mm	6.7 in
Displacement	15.2 L	927.6 in ³
High Idle Speed	2,300 rpm	
Low Idle Speed	800 rpm	

Operating Specifications

Maximum Operating Weight (Tier 4 Final/Stage IV) – Multiple Blade and Wheel Offerings	40 917 kg	90,207 lb
Maximum Operating Weight – (Tier 3 Final/Stage IIIA equivalent) Multiple Blade and Wheel Offerings	40 454 kg	89,186 lb

Transmission

Transmission Type	Planetary – Powershift – ECPC	
Travel Speeds		
Forward – Maximum Eco Mode	6.9 km/h	4.3 mph
Forward – Maximum 1st	6 km/h	3.7 mph
Forward – Maximum 2nd	10.6 km/h	6.6 mph
Reverse – Maximum Eco Mode	7.4 km/h	4.6 mph
Reverse – Maximum 1st	6.9 km/h	4.3 mph
Reverse – Maximum 2nd	12.2 km/h	7.6 mph

Hydraulic System

Pump Flow at 1,950 rpm	117 L/min	30.9 gal/min
Main Relief Pressure	24 100 kPa	3,495 psi
Maximum Supply Pressure	24 100 kPa	3,495 psi
Lift System	Double Acting Cylinder	
Bore	120 mm	4.7 in
Stroke	1070 mm	42.1 in

Service Refill Capacities

Cooling System	116 L	30.6 gal
Engine Crankcase	34 L	9.0 gal
Transmission	66 L	17.4 gal
Fuel Tank	782 L	206.6 gal
Diesel Exhaust Fluid Tank (Tier 4 Final/Stage IV)	32 L	8.5 gal
Differentials and Final Drives – Front	100 L	26.4 gal
Differentials and Final Drives – Rear	110 L	29.1 gal
Hydraulic Tank Only	134 L	35.4 gal

- All non-road Tier 4 Final and Stage IV diesel engines are required to use:
 - Ultra Low Sulfur Diesel (ULSD) fuels containing 15 ppm (mg/kg) sulfur or less. Biodiesel blends up to B20 are acceptable when blended with 15 ppm (mg/kg) sulfur or less ULSD and when the biodiesel feedstock meets ASTM D7467 specifications.
 - Cat DEO-ULS™ or oils that meet the Cat ECF-3, API CJ-4, and ACEA E9 specifications are required.
 - Diesel Exhaust Fluid (DEF) that meets all requirements defined in ISO 22241-1.

Axles

Front	Planetary – Fixed
Rear	Planetary – Oscillating
Oscillation Angle	±5°

Brakes

Parking Brake	Drum and Shoe, Spring Applied, Hydraulic Released
---------------	---

826K Landfill Compactor Specifications

Cab

	Standard	Suppression
Operator Sound Pressure Level (ISO 6396)	73 dB(A)	72 dB(A)
Machine Sound Power Level (ISO 6395)	113 dB(A)	110 dB(A)

Hydraulic System – Steering

Steering System – Circuit	Double Acting – End Mounted	
Bore	114.3 mm	4.5 in
Stroke	576 mm	22.7 in
Steering System – Pump	Piston – Variable Displacement	
Maximum System Flow	170 L/min @ 1,950 rpm	44.9 gal/min @ 1,950 rpm
Steering Pressure Limited	24 000 kPa	3,481 psi
Vehicle Articulation Angle	86 degrees	

Wheels and Tips

Attachment – Wheels: 1200 mm (47.25 in) Paddle and Plus Tips

Weight	9582 kg	21,125 lb
Outside Diameter	1971 mm	6 ft 6 in
Drum Diameter	1610 mm	5 ft 3 in
Drum Width	1200 mm	3 ft 11 in
Tips per Wheel	30	
Width over Drums	3800 mm	12 ft 6 in

Attachment – Wheels: 1200 mm (47.25 in) Plus Tips

Weight	9980 kg	22,002 lb
Outside Diameter	1971 mm	6 ft 6 in
Drum Diameter	1610 mm	5 ft 3 in
Drum Width	1200 mm	3 ft 11 in
Tips per Wheel	30	
Width over Drums	3800 mm	12 ft 6 in

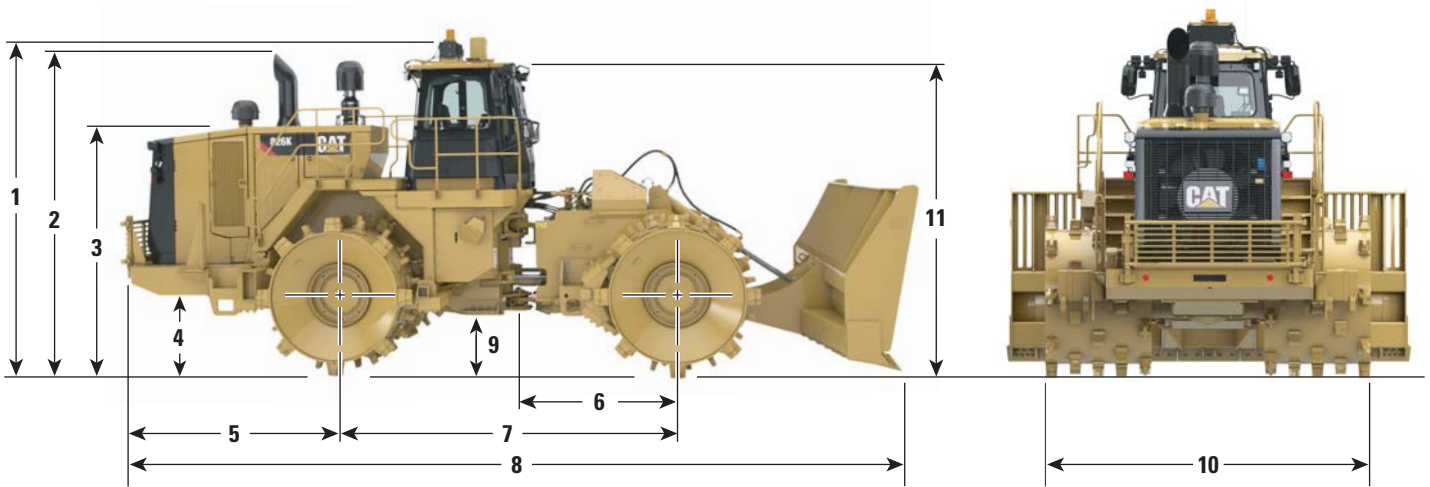
Attachment – Wheels: 1200 mm (47.25 in) Paddle Tips

Weight	9317 kg	20,540 lb
Outside Diameter	1971 mm	6 ft 6 in
Drum Diameter	1610 mm	5 ft 3 in
Drum Width	1200 mm	3 ft 11 in
Tips per Wheel	30	
Width over Drums	3800 mm	12 ft 6 in

826K Landfill Compactor Specifications

Dimensions

All dimensions are approximate.



1 Height to Top of Cab with A/C	4568 mm	14 ft 11.8 in
2 Height to Top of Exhaust Pipe	4439 mm	14 ft 6.8 in
3 Height to Top of Hood	3312 mm	10 ft 10.4 in
4 Ground Clearance to Bumper	960 mm	3 ft 1.8 in
5 Center Line of Rear Axle to Edge of Counterweight		
No Rear Radiator Guard	2860 mm	9 ft 4.6 in
Including Rear Radiator Guard	3096 mm	10 ft 1.9 in
6 Hitch to Center Line of Front Axle	1850 mm	6 ft 1 in
7 Wheelbase	3700 mm	12 ft 2 in
8 Length with Blade on Ground – (includes rear radiator guard) (straight blade)	8715 mm	28 ft 7.1 in
9 Ground Clearance	642 mm	2 ft 1.3 in
10 Width over Wheels	3800 mm	12 ft 6 in
11 Height to ROPS/Canopy	4274 mm	14 ft 0.3 in
Height to Top of Cab with Strobe	4765 mm	15 ft 7.6 in
Turning Radius – Inside of Wheels	2797 mm	9 ft 2 in