

Dynapac CA702PD

Single drum vibratory rollers

Atlas Copco



Technical data



Masses

Operating mass (incl. Cab)	26950 kg
Module mass (front/rear)	17300 kg/9650 kg
Max. operating mass	27250 kg



Traction

Speed range	0-11 km/h
Tyre size (16 ply)	23,1x26
Theor. gradeability	45 %
Vertical oscillation	±9°
Number of pads	140
Pad area	146 cm ²



Compaction

Nominal amplitude (high/low)	2.0 mm/1.3 mm
Vibration frequency (high/low amplitude)	28 Hz/30 Hz
Centrifugal force (high/low amplitude)	330 kN/254 kN



Engine

Manufacturer/Model	Cummins QSB6.7 T3
Type	6 cylindre Water cooled with After Cooler
Rated power, SAE J1995	164 kW (220.0 hp) @ 2200 rpm
Fuel tank capacity	320 l



Hydraulic system

Driving	Axial piston pump with variable displacement. Axial piston motors with constant displacement.
Vibration	Axial piston pump with variable displacement. Axial piston motor (2) with variable displacement.
Steering	Gear pump with constant displacement.
Service brake	Hydrostatic in forward and reverse lever.
Parking/ Emergency brake	Failsafe multidisc brake in drum gear box and in rear axle.

Find us locally at www.atlascopco.com

We reserve the right to change specifications without notice. Photos and illustrations do not always show standard versions of machines.
The above information is a general description only, all informations are supplied without liability.

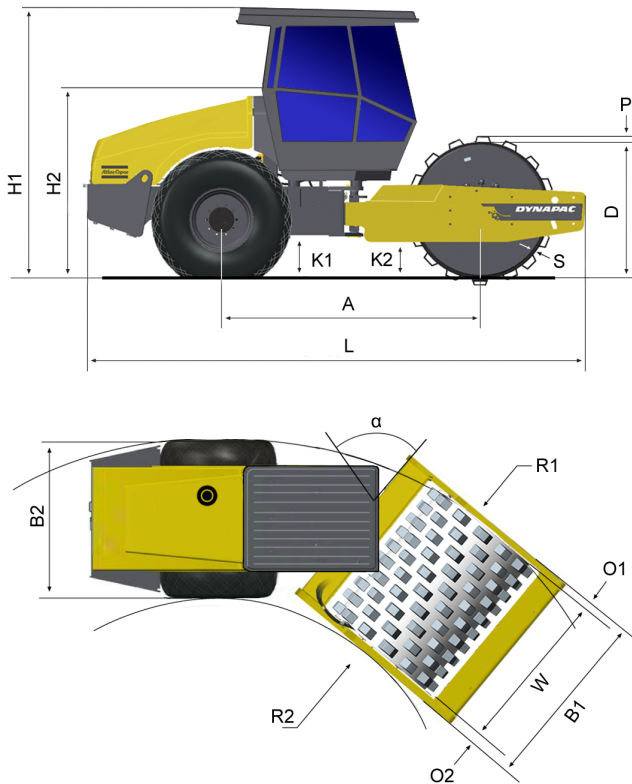
rce_ca702pd_en-20170614.141645.pdf 2017-06-14 14:16

Dynapac CA702PD

Single drum vibratory rollers

Atlas Copco

Technical data



Dimensions	
A. Wheelbase	3341 mm
B1. Width, front	2420 mm
B2. Width, rear	2280 mm
D. Drum diameter	1680 mm
H1. Height, with ROPS/cab	2982 mm
H2. Height, w/o ROPS/cab	2206 mm
K1. Ground clearance	405 mm
K2. Curb clearance	483 mm
L. Length	6515 mm
O1. Overhang, right	155 mm
O2. Overhang, left	135 mm
P. Pad height	100 mm
R1. Turning radius, outside	6000 mm
R2. Turning radius, inside	3700 mm
S. Drum shell thickness	30 mm
W. Drum width	2130 mm
α . Steering angle	$\pm 38^\circ$



Service and repair kits

Type of kit	P/N	Serial Number/Additional info
Eccentric shaft kit	4700945657	
Drum rotation kit	4812158993	
Shock absorber kit	4812157354	Drum
Steering hitch kit	4812157779	Tilt

Find us locally at www.atlascopco.com

We reserve the right to change specifications without notice. Photos and illustrations do not always show standard versions of machines. The above information is a general description only, all informations are supplied without liability.

rce_ca702pd_en-20170614.141645.pdf 2017-06-14 14:16