



# Dynapac CA702D


## Single drum vibratory rollers






### Technical data

 Masses	
Operating mass (incl. Cab)	26900 kg
Module mass (front/rear)	17200 kg/9700 kg
Max. operating mass	27250 kg

 Traction	
Speed range	0-11 km/h
Tyre size (12 ply)	23,1x26
Theor. gradeability	45 %
Vertical oscillation	±9°

 Compaction	
Static linear load	80.8 kg/cm
Nominal amplitude (high/low)	2.0 mm/1.3 mm
Vibration frequency (high/low amplitude)	28 Hz/30 Hz
Centrifugal force (high/low amplitude)	330 kN/254 kN

 Engine	
Manufacturer/Model	Cummins QSB6.7 T3
Type	6 cylindre Water cooled with After Cooler
Rated power, SAE J1995	164 kW (220.0 hp ) @ 2200 rpm
Fuel tank capacity	320 l

 Hydraulic system	
Driving	Axial piston pump with variable displacement. Axial piston motors with constant displacement.
Vibration	Axial piston pump with variable displacement. Axial piston motor (2) with variable displacement.
Steering	Gear pump with constant displacement.
Service brake	Hydrostatic in forward and reverse lever.
Parking/ Emergency brake	Failsafe multidisc brake in drum gear box and in rear axle.

Find us locally at [www.atlascopco.com](http://www.atlascopco.com)

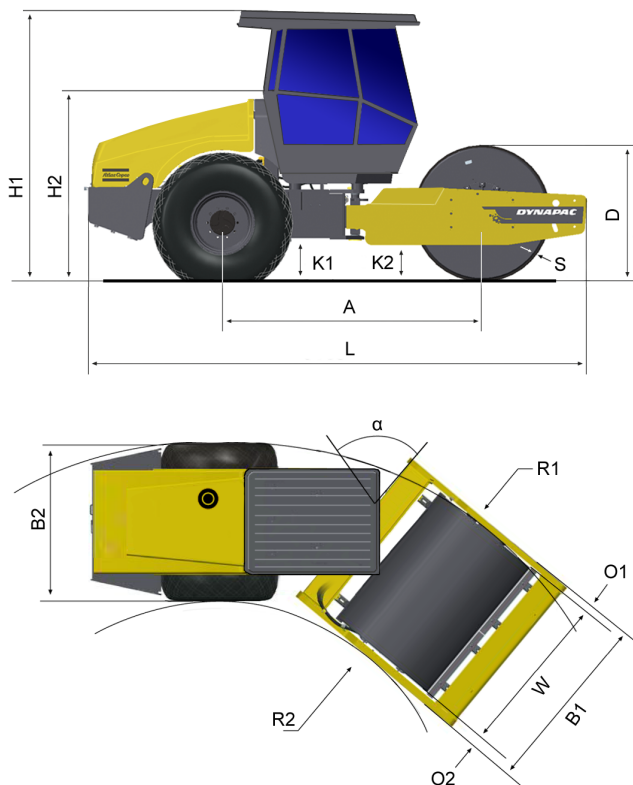
We reserve the right to change specifications without notice. Photos and illustrations do not always show standard versions of machines. The above information is a general description only, all informations are supplied without liability.

# Dynapac CA702D

## Single drum vibratory rollers

Atlas Copco

### Technical data



Dimensions	
A. Wheelbase	3341 mm
B1. Width, front	2420 mm
B2. Width, rear	2280 mm
D. Drum diameter	1700 mm
H1. Height, with ROPS/cab	2982 mm
H2. Height, w/o ROPS/cab	2206 mm
K1. Ground clearance	405 mm
K2. Curb clearance	483 mm
L. Length	6515 mm
O1. Overhang, right	155 mm
O2. Overhang, left	135 mm
R1. Turning radius, outside	6000 mm
R2. Turning radius, inside	3700 mm
S. Drum shell thickness	40 mm
W. Drum width	2130 mm
$\alpha$ . Steering angle	$\pm 38^\circ$

Find us locally at [www.atlascopco.com](http://www.atlascopco.com)

We reserve the right to change specifications without notice. Photos and illustrations do not always show standard versions of machines. The above information is a general description only, all informations are supplied without liability.