

Dynapac CA6500PD

Single drum vibratory rollers

Atlas Copco



Technical data



Masses

Operating mass (incl. Cab)	20,750 kg
Module mass (front/rear)	13,850/6,900 kg
Max. operating mass	21,000 kg



Dimensions

Drum width	2,130 mm
------------	----------



Traction

Speed range (Dual/TC/AS)	4/6/7/11 km/h
Vertical oscillation	±9 °
Tyre size (12 ply)	23,1 x 26 AW
Theor. gradeability	56 %
Number of pads	130
Pad height	102 mm
Pad area	146 cm ²



Compaction

Nominal amplitude (high/low)	2.1/0.8 mm
Vibration frequency (high/low amplitude)	29/30 Hz
Centrifugal force (high/low amplitude)	360/150 kN



Engine

Manufacturer/Model	Deutz TCD6,1L6 (IIIB/4i)
Type	Water cooled turbo diesel
Rated power, ISO 14396	150 kW (204 hp) @ 2,200 rpm
Fuel tank capacity	272 l



Engine

Manufacturer/Model	Deutz TCD2012L06 (IIIA/3)
Type	Water cooled turbo diesel
Rated power, ISO 14396	150 kW (204 hp) @ 2,200 rpm



Hydraulic system

Driving	Hydrostatic
Vibration	Hydrostatic
Steering	Hydrostatic
Service brake	Hydrostatic in forward and reverse lever.
Parking/ Emergency brake	Failsafe multidisc brake in drum gear box and in rear axle.

Find us locally at www.atlascopco.com

We reserve the right to change specifications without notice. Photos and illustrations do not always show standard versions of machines. The above information is a general description only, all informations are supplied without liability.

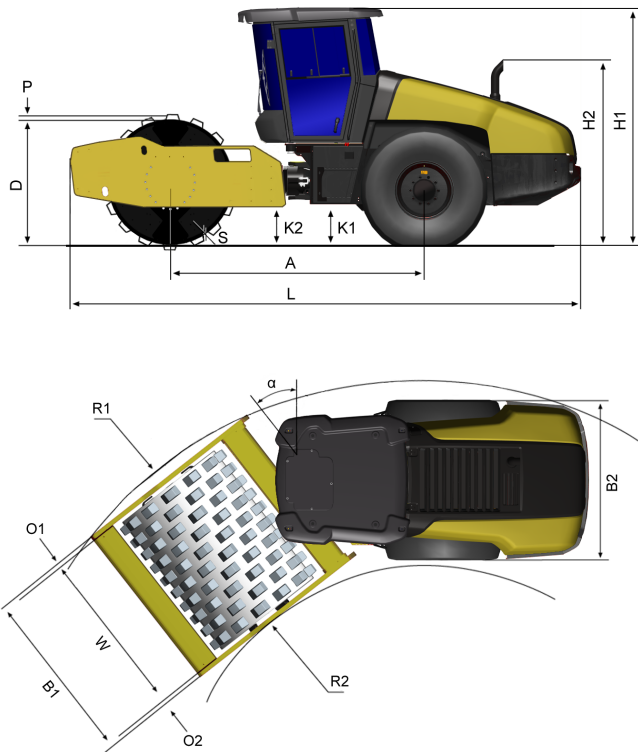
rce_ca6500pd_en-20131115.102841.pdf 2013-11-15 10:28

Dynapac CA6500PD

Single drum vibratory rollers



Technical data



Dimensions	
A. Wheelbase	3,100 mm
B1. Width, front	2,380 mm
B2. Width, rear	2,130 mm
D. Drum diameter	1,518 mm
H1. Height, with ROPS/cab	2,890 mm
H2. Height, w/o ROPS/cab	2,130 mm
K1. Ground clearance	450 mm
K2. Curb clearance	450 mm
L. Length	6,240 mm
O1. Overhang, right	125 mm
O2. Overhang, left	125 mm
P. Pad height	102 mm
R1. Turning radius, outside	5,800 mm
R2. Turning radius, inside	3,300 mm
S. Drum shell thickness	34 mm
W. Drum width	2,130 mm
α. Steering angle	±38°

Find us locally at www.atlascopco.com

We reserve the right to change specifications without notice. Photos and illustrations do not always show standard versions of machines. The above information is a general description only, all informations are supplied without liability.