


# Dynapac CA6500D

## Single drum vibratory rollers


Atlas Copco





### Technical data


 Masses	
Operating mass (incl. Cab)	20,850 kg
Module mass (front/rear)	13,950/6,900 kg
Max. operating mass	21,000 kg


 Dimensions	
Drum width	2,130 mm

 Traction	
Speed range (Dual/TC/AS)	4/6/7/11 km/h
Vertical oscillation	±9 °
Tyre size (12 ply)	23,1 x 26 AW
Theor. gradeability	56 %

 Compaction	
Static linear load	65 kg/cm
Nominal amplitude (high/low)	2.1/0.8 mm
Vibration frequency (high/low amplitude)	29/30 Hz
Centrifugal force (high/low amplitude)	360/150 kN

 Engine	
Manufacturer/Model	Deutz TCD6,1L6 (IIIB/4i)
Type	Water cooled turbo diesel
Rated power, ISO 14396	150 kW (204 hp ) @ 2,200 rpm
Fuel tank capacity	272 l

 Engine	
Manufacturer/Model	Deutz TCD2012L06 (IIIA/3)
Type	Water cooled turbo diesel
Rated power, ISO 14396	150 kW (204 hp ) @ 2,200 rpm

 Hydraulic system	
Driving	Hydrostatic
Vibration	Hydrostatic
Steering	Hydrostatic
Service brake	Hydrostatic in forward and reverse lever.
Parking/ Emergency brake	Failsafe multidisc brake in drum gear box and in rear axle.

Find us locally at [www.atlascopco.com](http://www.atlascopco.com)

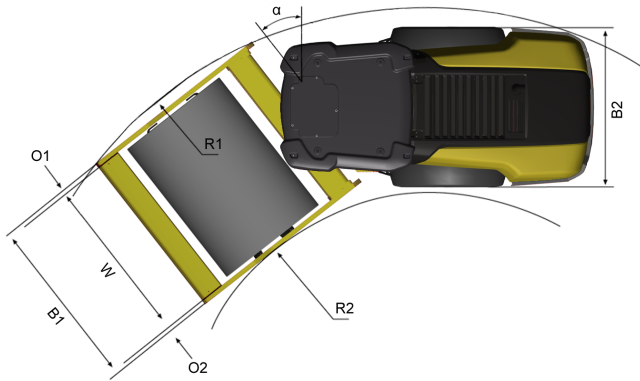
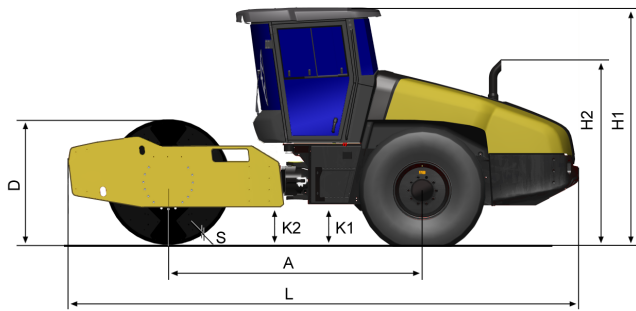
We reserve the right to change specifications without notice. Photos and illustrations do not always show standard versions of machines. The above information is a general description only, all informations are supplied without liability.

# Dynapac CA6500D

## Single drum vibratory rollers

Atlas Copco

### Technical data



Dimensions	
A. Wheelbase	3,100 mm
B1. Width, front	2,380 mm
B2. Width, rear	2,130 mm
D. Drum diameter	1,546 mm
H1. Height, with ROPS/cab	2,890 mm
H2. Height, w/o ROPS/cab	2,130 mm
K1. Ground clearance	450 mm
K2. Curb clearance	450 mm
L. Length	6,240 mm
O1. Overhang, right	125 mm
O2. Overhang, left	125 mm
R1. Turning radius, outside	5,800 mm
R2. Turning radius, inside	3,300 mm
S. Drum shell thickness	48 mm
W. Drum width	2,130 mm
$\alpha$ . Steering angle	$\pm 38^\circ$

Find us locally at [www.atlascopco.com](http://www.atlascopco.com)

We reserve the right to change specifications without notice. Photos and illustrations do not always show standard versions of machines. The above information is a general description only, all informations are supplied without liability.

rce\_ca6500d\_en-20131115.101437.pdf 2013-11-15 10:14