

# Dynapac CA610PD

## Single drum vibratory rollers

Atlas Copco



### Technical data



#### Masses

Operating mass (incl. ROPS)	20,700 kg
Module mass (front/rear)	14,050 kg/6,650 kg
Max. operating mass	21,000 kg



#### Dimensions

Drum width	2,130 mm
Length	6,180 mm
Width	2,400 mm



#### Traction

Speed range (Dual/TC/AS)	0-11 km/h
Tyre size (8 ply)	23,1x26
Theor. gradeability	43 %
Vertical oscillation	±9°



#### Compaction

Nominal amplitude (high/low)	1.8 mm/1.1 mm
Vibration frequency (high/low amplitude)	29 Hz/31 Hz
Centrifugal force (high/low amplitude)	317 kN/231 kN



#### Engine

Manufacturer/Model	Cummins 6BTAA5.9-C170 (Tier 2)
Type	Water cooled turbo Diesel
Rated power, SAE J1995	127 kW (170 hp ) @ 2,200 rpm
Fuel tank capacity	320 l



#### Engine

Manufacturer/Model	Cummins QSB6.7-C173 (Tier 3)
Type	Water cooled turbo Diesel
Rated power, SAE J1995	129 kW (173 hp ) @ 2,200 rpm



#### Hydraulic system

Driving	Axial piston pump with variable displacement. Axial piston motors with constant displacement.
Vibration	Axial piston pump with variable displacement. Axial piston motors with constant displacement.
Steering	Gear pump with constant displacement.
Service brake	Hydrostatic in forward and reverse lever.
Parking/ Emergency brake	Failsafe multidisc brake in drum gear box and in rear axle.

Find us locally at [www.atlascopco.com](http://www.atlascopco.com)

We reserve the right to change specifications without notice. Photos and illustrations do not always show standard versions of machines. The above information is a general description only, all informations are supplied without liability.

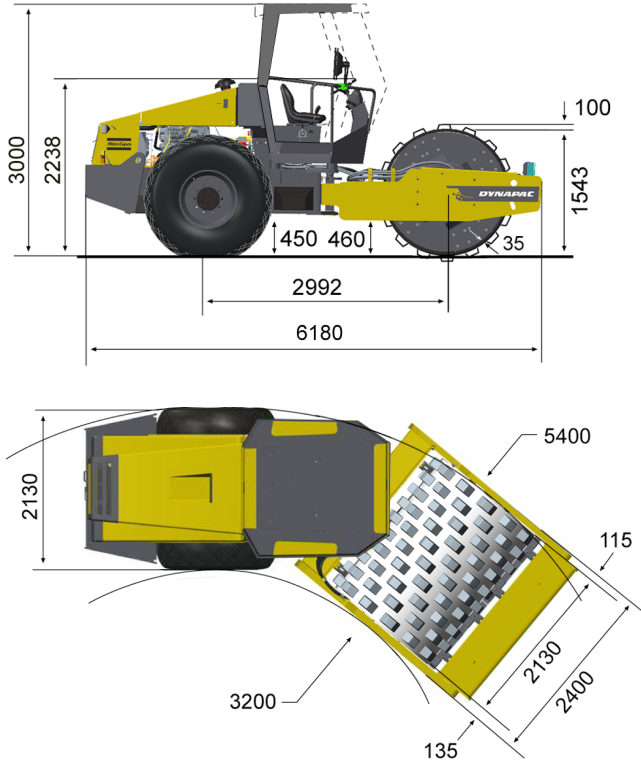
rce\_ca610pd\_en-20160108.175940.pdf 2016-01-08 17:59

# Dynapac CA610PD

Single drum vibratory rollers



## Technical data



Find us locally at [www.atlascopco.com](http://www.atlascopco.com)

We reserve the right to change specifications without notice. Photos and illustrations do not always show standard versions of machines. The above information is a general description only, all informations are supplied without liability.